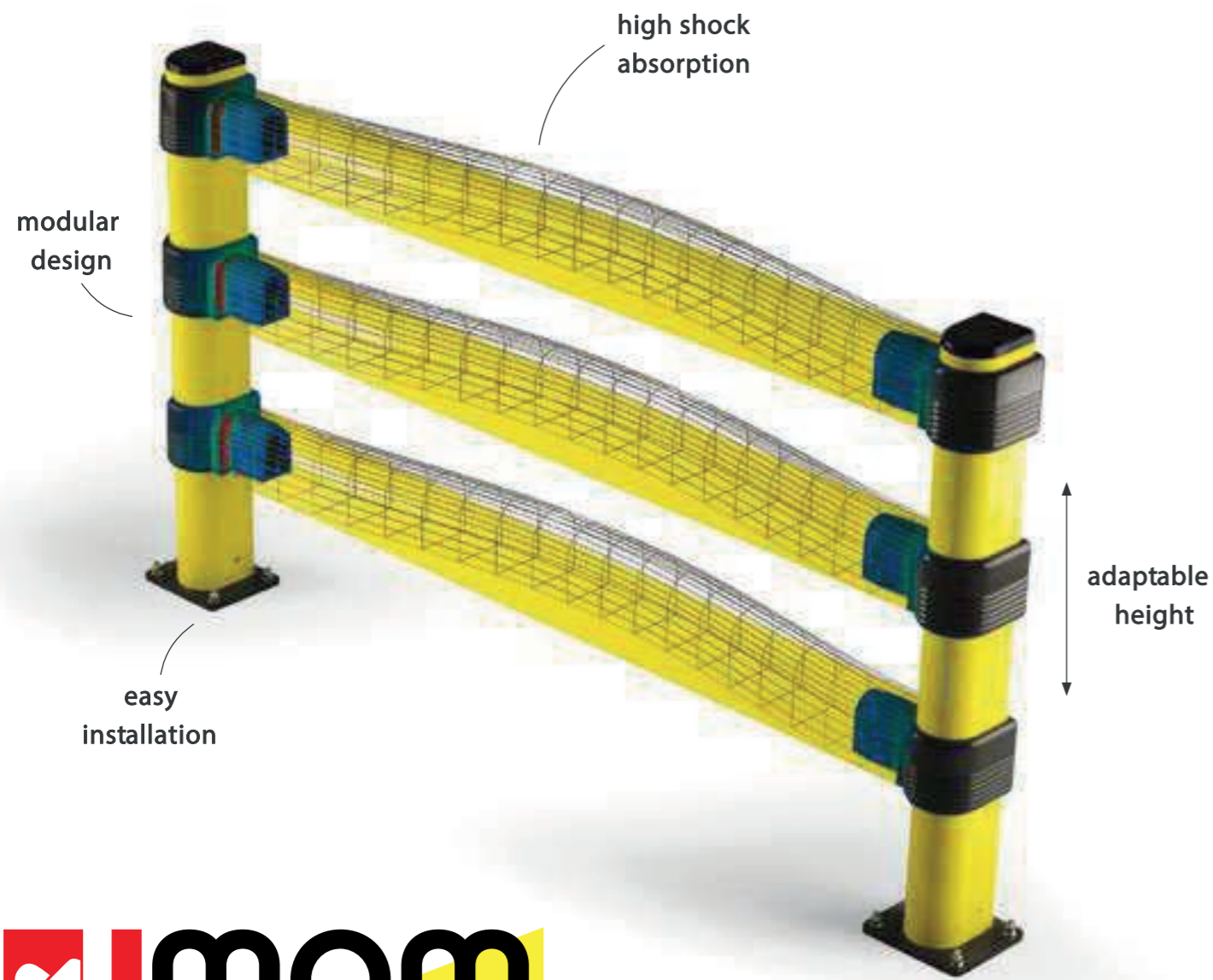


TECHNICAL DATA SHEETS

PLASTIC PROTECTIONS AND SAFETY BARRIERS

NEW
COLD LINE


MADE IN ITALY





SAFETY ENGINEERING
FOR A SAFE WORK

Safeway360

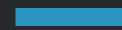
SEGURIDAD GLOBAL

Exterior & Interior

Protección de personas



Protección de activos y bienes



Señalización temporal y definitiva



Delimitaciones de zonas de trabajo



Diseño y soluciones a medida



ESTUDIO Y PROYECTO



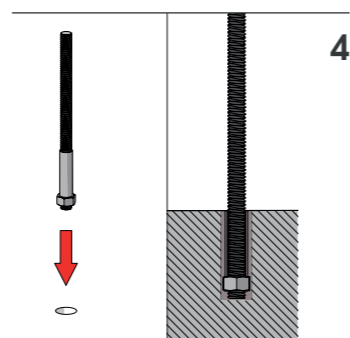
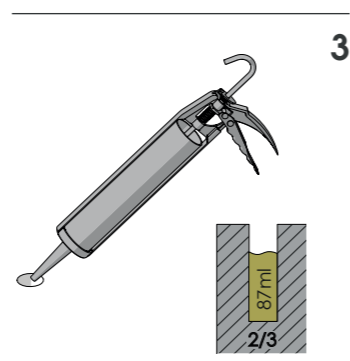
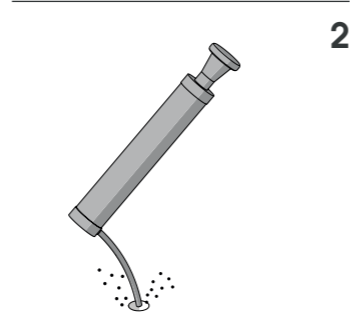
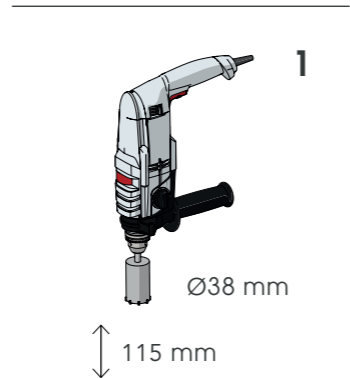
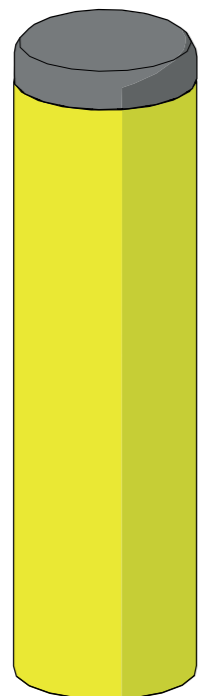
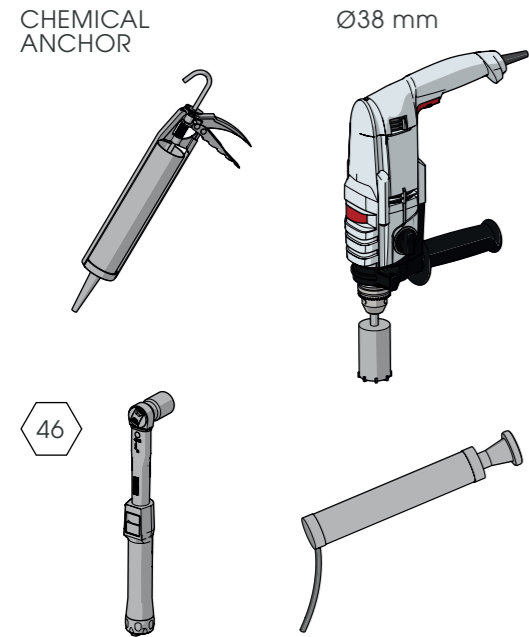
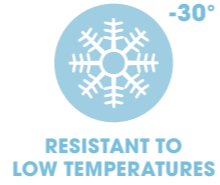
PRODUCTO E INSTALACIÓN



POSTVENTA Y MANTENIMIENTO

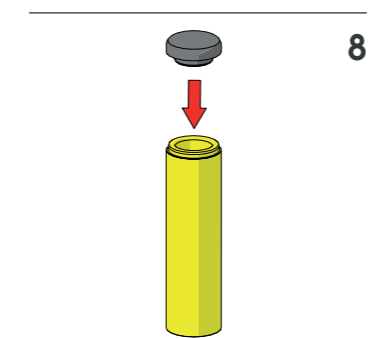
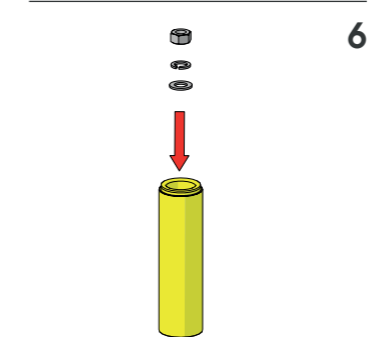
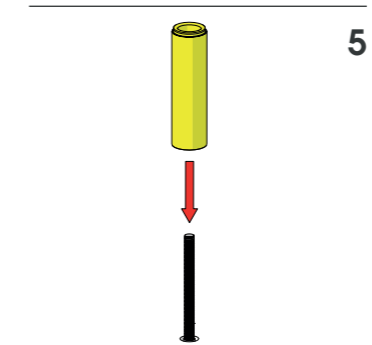
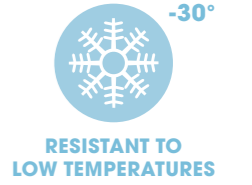
ROD PE 70

ISTRUZIONI DI INSTALLAZIONE
ASSEMBLY INSTRUCTIONS

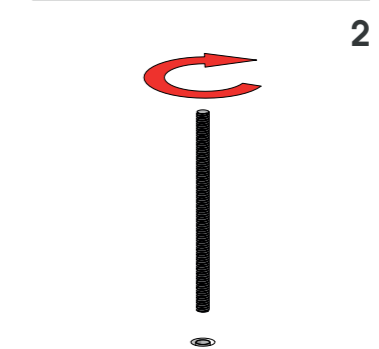
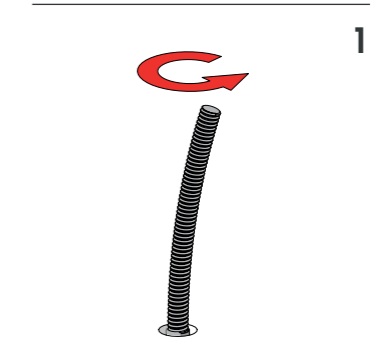


ROD PE 70

ISTRUZIONI DI INSTALLAZIONE
ASSEMBLY INSTRUCTIONS

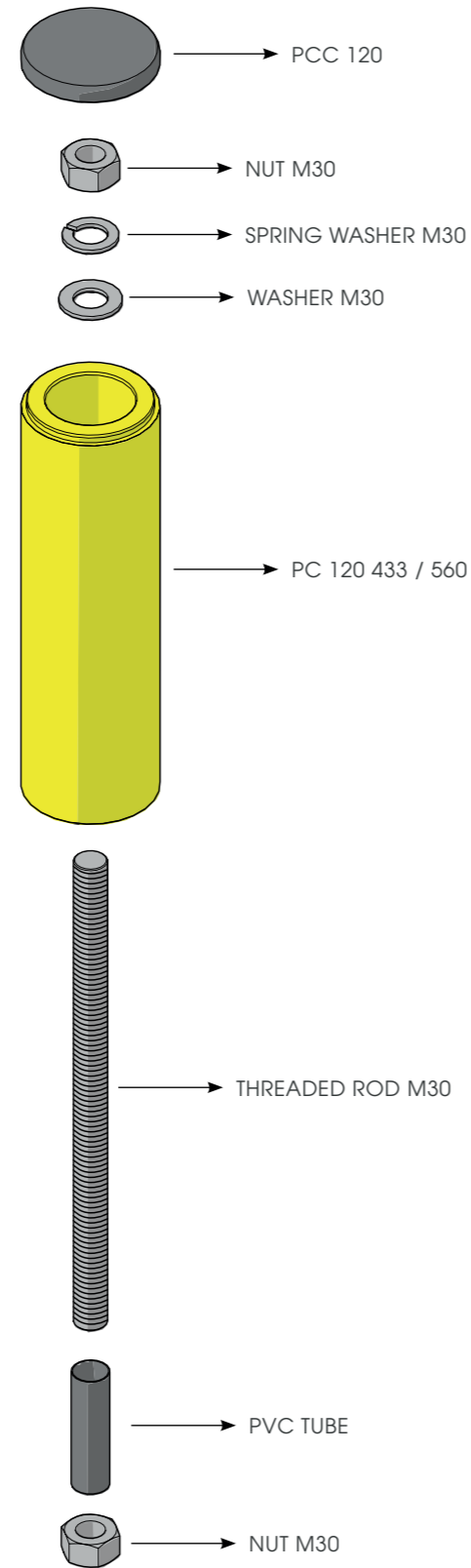
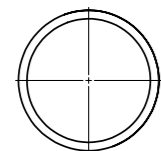
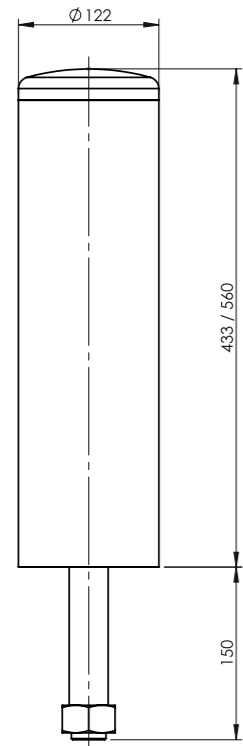
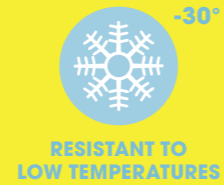


ROD REPLACEMENT



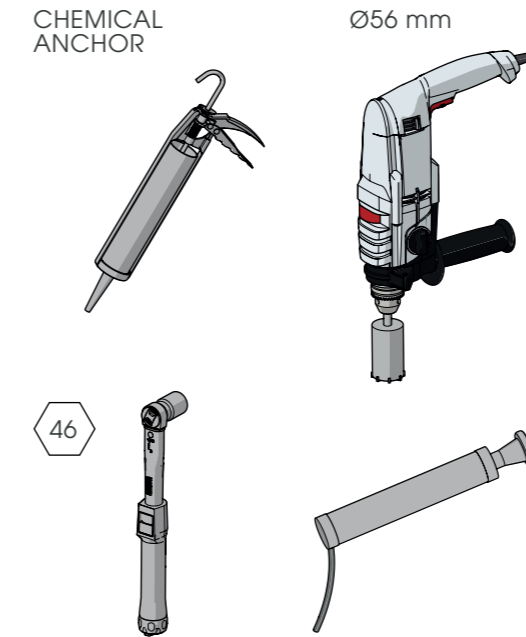
ROD PE 120

PALO PROTEZIONE
BOLLARD

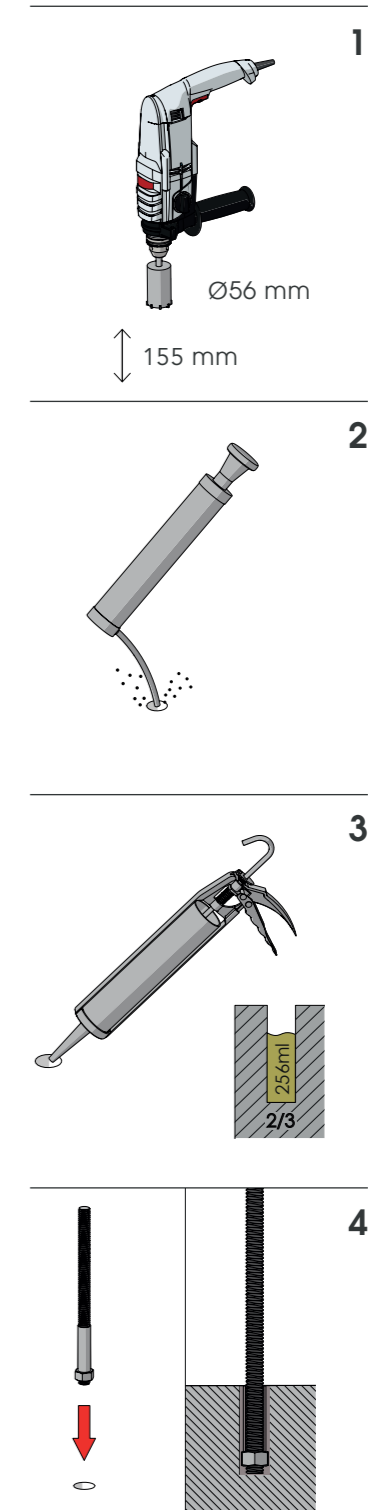
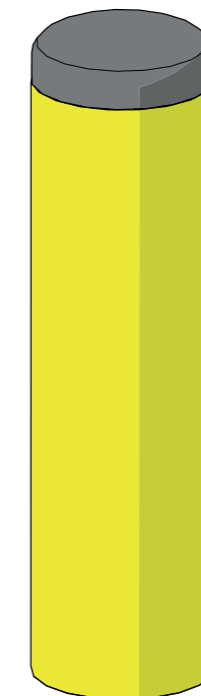


ROD PE 120

ISTRUZIONI DI INSTALLAZIONE
ASSEMBLY INSTRUCTIONS

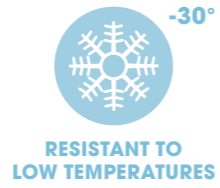


46

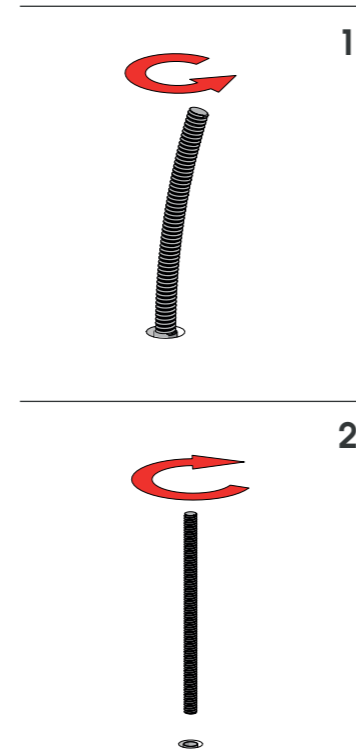
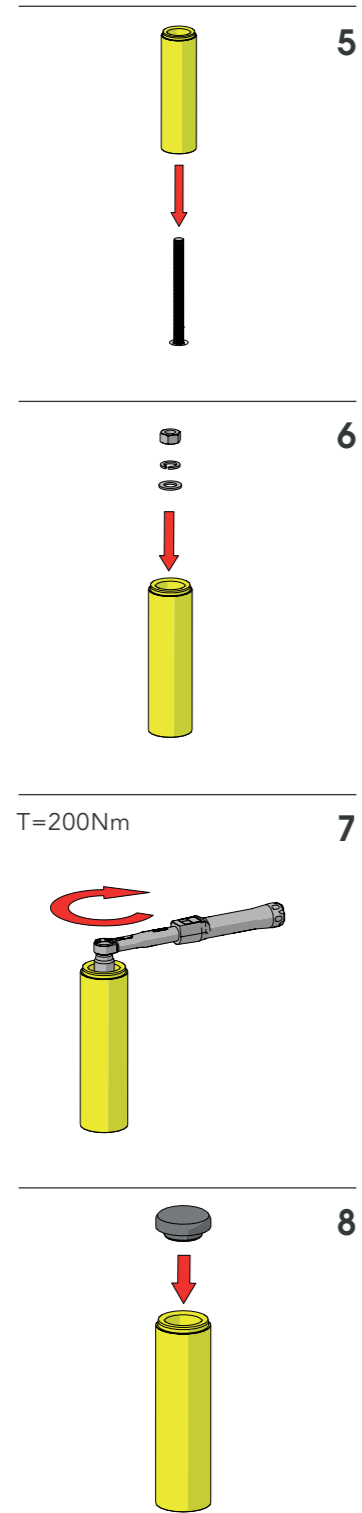


ROD PE 120

ISTRUZIONI DI INSTALLAZIONE
ASSEMBLY INSTRUCTIONS

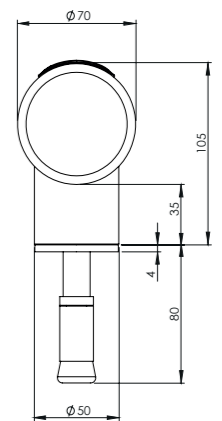
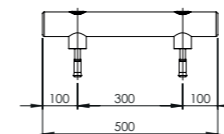
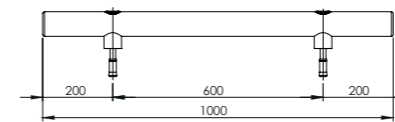
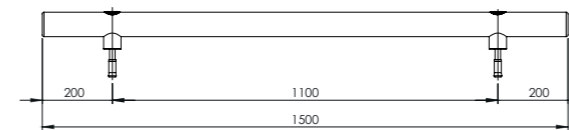
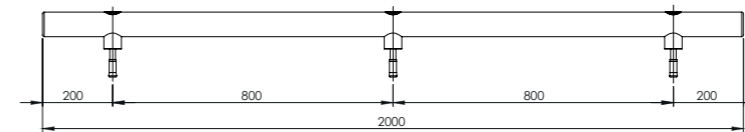
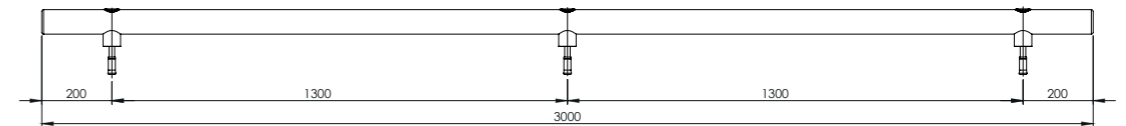
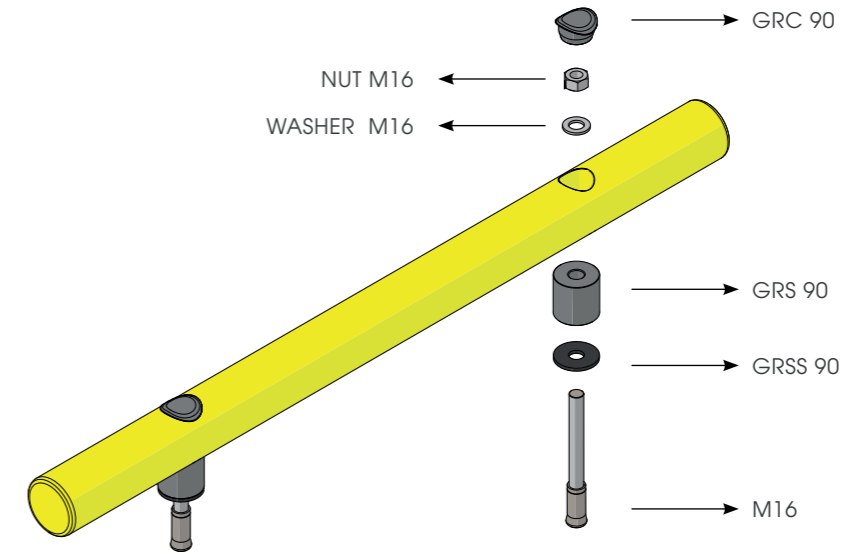
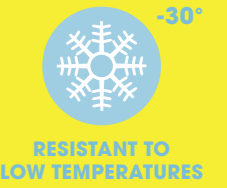


ROD REPLACEMENT



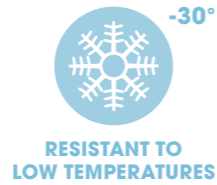
ROD FLOOR 70

BARRIERA SINGOLA
SINGLE-RAIL BARRIER



ROD FLOOR 70

ISTRUZIONI DI INSTALLAZIONE
ASSEMBLY INSTRUCTIONS



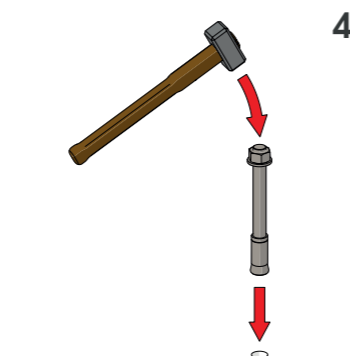
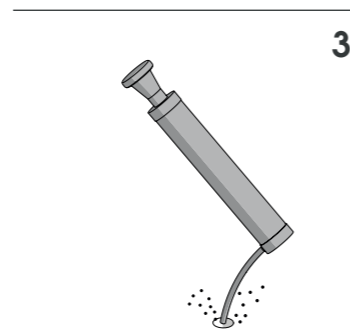
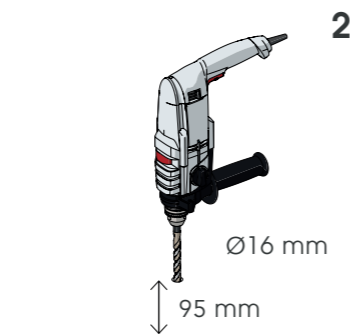
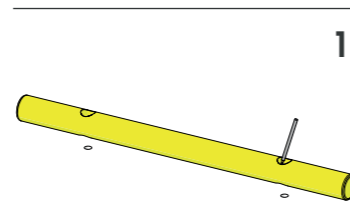
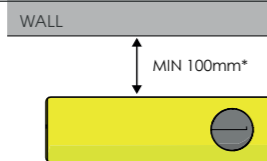
M16 GALVANISED STEEL

WITH EXPANSION SCREW



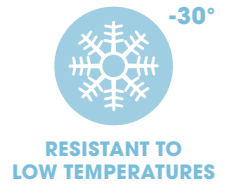
24

WARNING
The distance of installation depends on speed and weight of vehicle



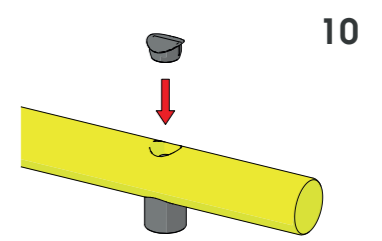
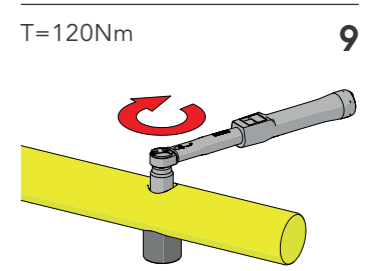
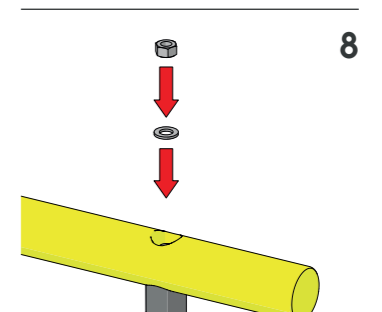
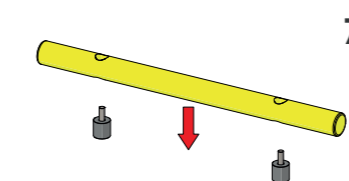
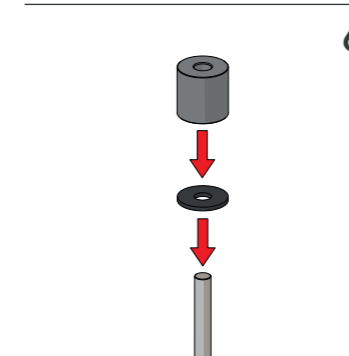
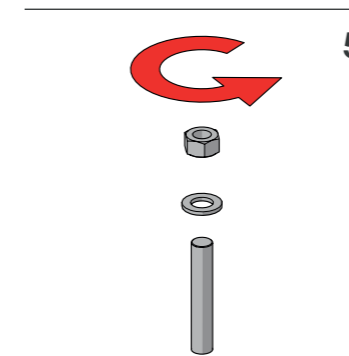
ROD FLOOR 70

ISTRUZIONI DI INSTALLAZIONE
ASSEMBLY INSTRUCTIONS



M16 GALVANISED STEEL

WITH EXPANSION SCREW



ROD FLOOR 70

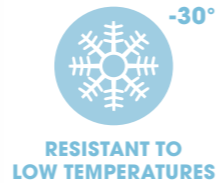
ISTRUZIONI DI INSTALLAZIONE
ASSEMBLY INSTRUCTIONS



M16 STAINLESS STEEL



ANCHOR

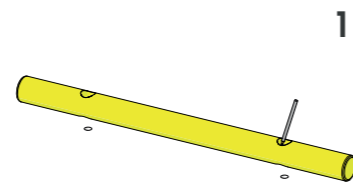
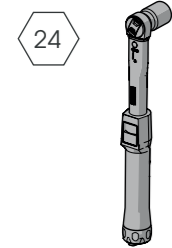


RESISTANT TO
LOW TEMPERATURES

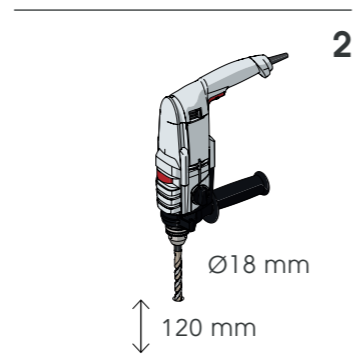
WITH RESIN

CHEMICAL ANCHOR

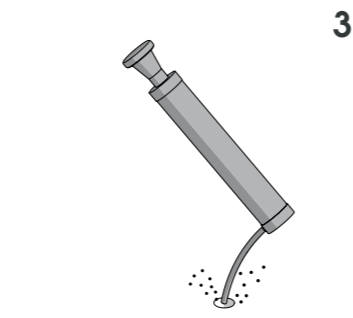
Ø18 mm



1



2

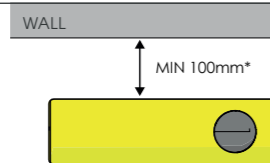


3



4

WARNING
The distance of installation depends on speed and weight of vehicle



ROD FLOOR 70

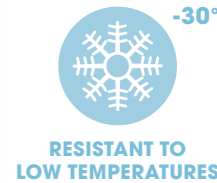
ISTRUZIONI DI INSTALLAZIONE
ASSEMBLY INSTRUCTIONS



M16 STAINLESS STEEL

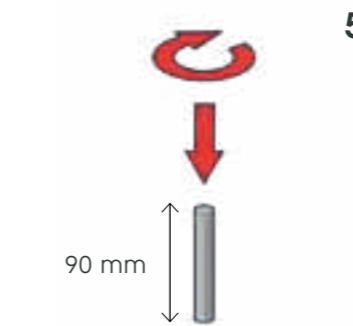


ANCHOR

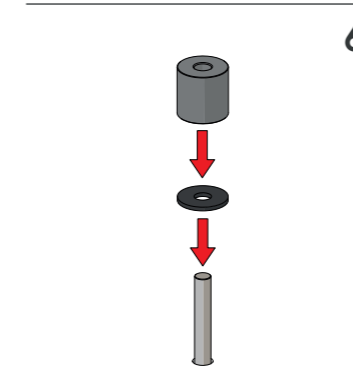


RESISTANT TO
LOW TEMPERATURES

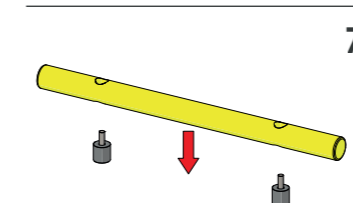
WITH RESIN



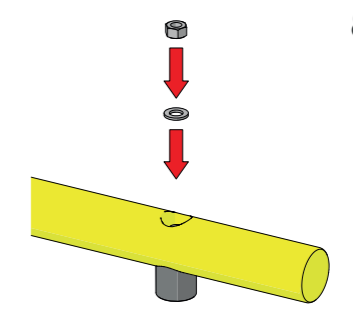
5



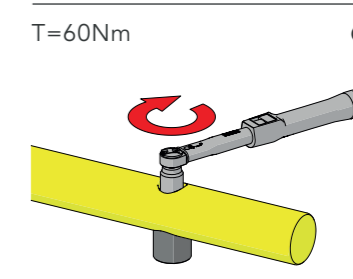
6



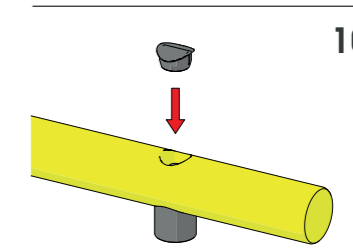
7



8



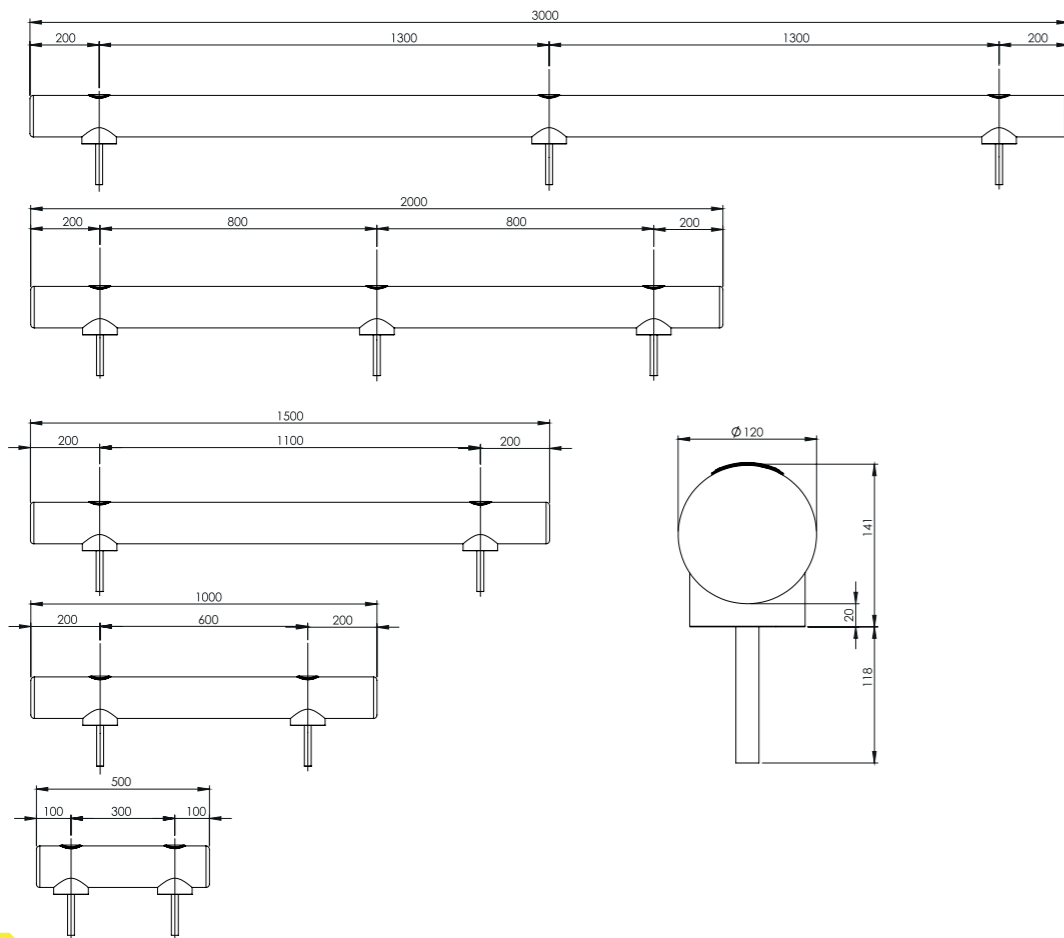
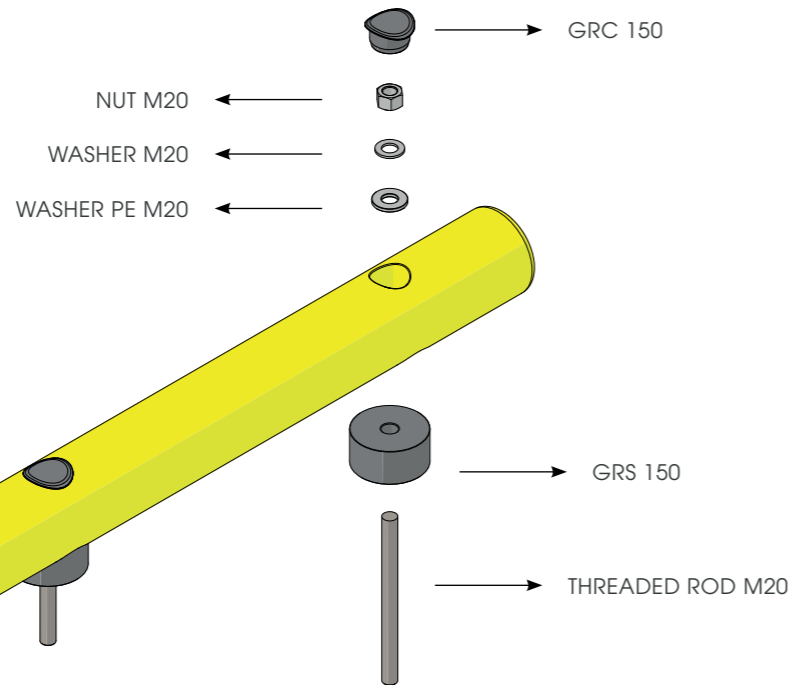
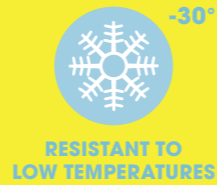
9



10

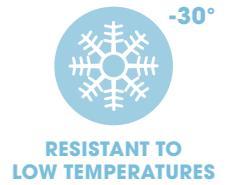
ROD FLOOR 120

BARRIERA SINGOLA
SINGLE-RAIL BARRIER



ROD FLOOR 120

ISTRUZIONI DI INSTALLAZIONE
ASSEMBLY INSTRUCTIONS



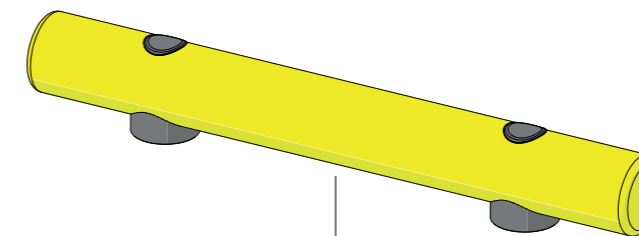
ONLY WITH RESIN

CHEMICAL ANCHOR

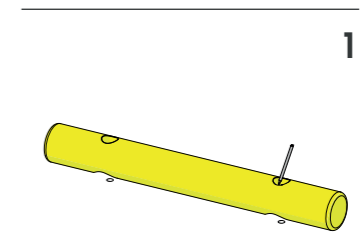
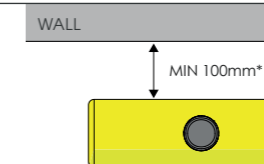
Ø24 mm



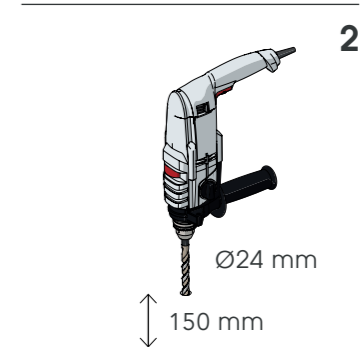
30



WARNING
The distance of installation depends on speed and weight of vehicle



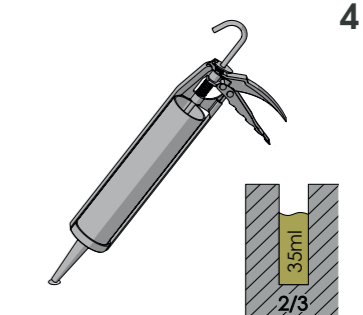
1



2



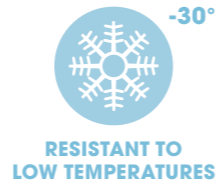
3



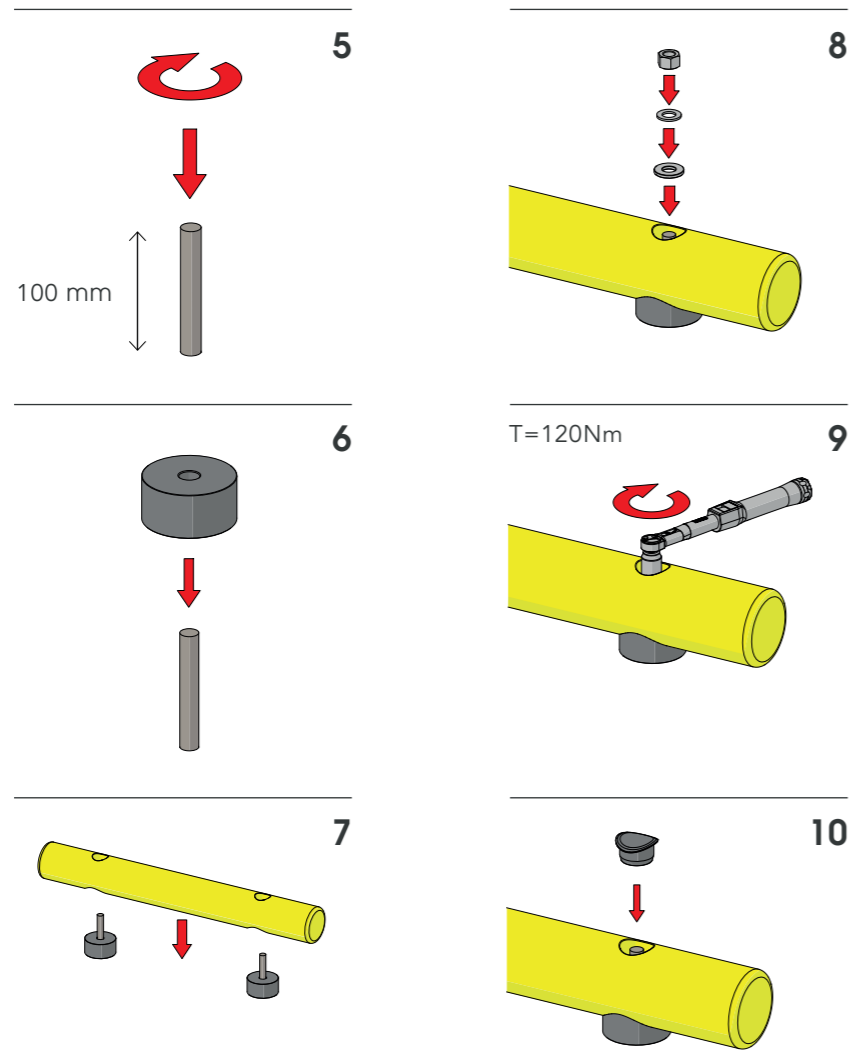
4

ROD FLOOR 120

ISTRUZIONI DI INSTALLAZIONE
ASSEMBLY INSTRUCTIONS



ONLY WITH RESIN



HR 90

BARRIERA PEDONALE
HAND RAIL BARRIER

