

TECHNICAL DATA SHEETS

PLASTIC PROTECTIONS AND SAFETY BARRIERS

NEW
COLD LINE


MADE IN ITALY





SAFETY ENGINEERING
FOR A SAFE WORK

Safeway360

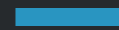
SEGURIDAD GLOBAL

Exterior & Interior

Protección de personas



Protección de activos y bienes



Señalización temporal y definitiva



Delimitaciones de zonas de trabajo



Diseño y soluciones a medida



ESTUDIO Y PROYECTO



PRODUCTO E INSTALACIÓN



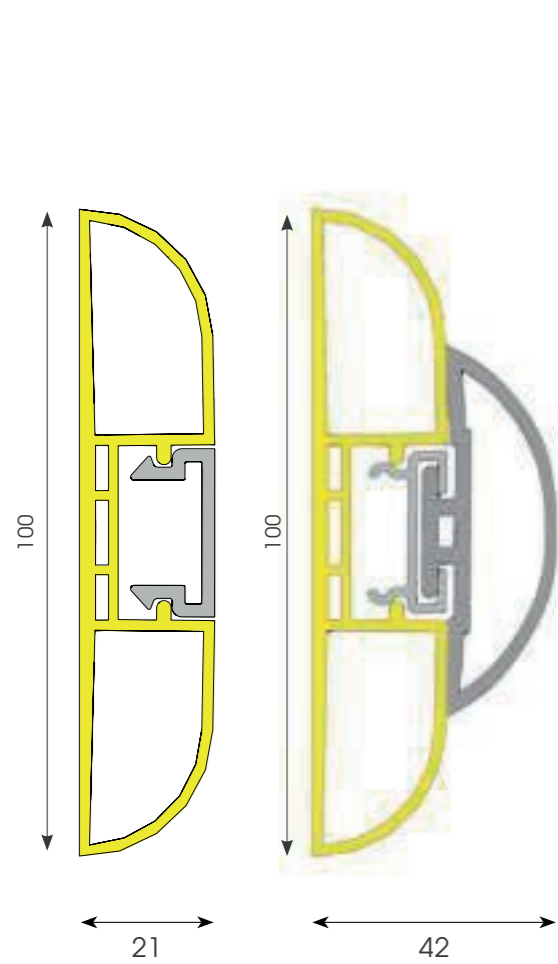
POSTVENTA Y MANTENIMIENTO

WP 100/150

PROTEZIONE PER PARETI
WALLS PROTECTION



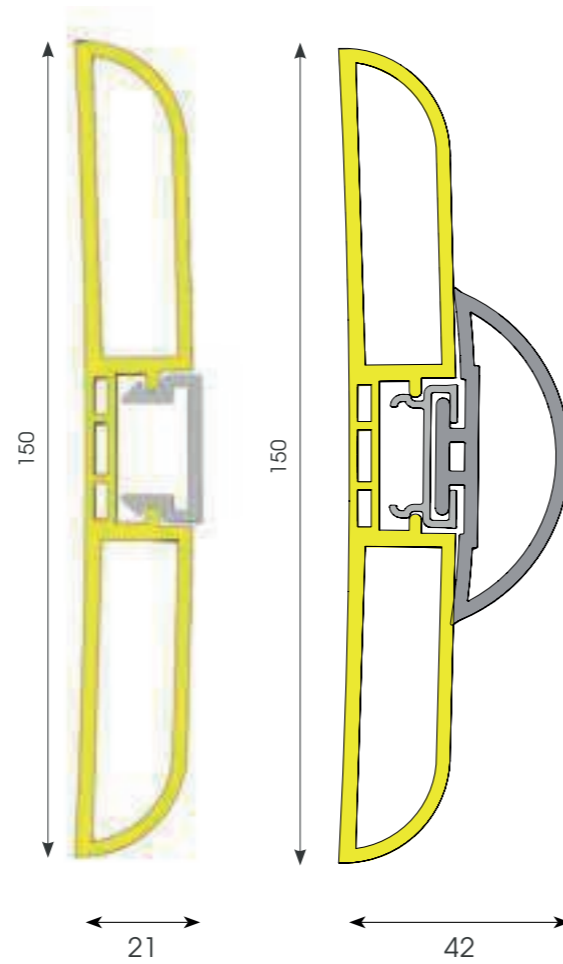
WP 100



*WITH WPC

*WITH WPCS

WP 150



*WITH WPC

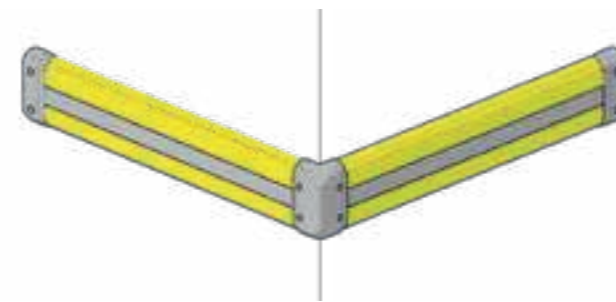
*WITH WPCS

WARNING

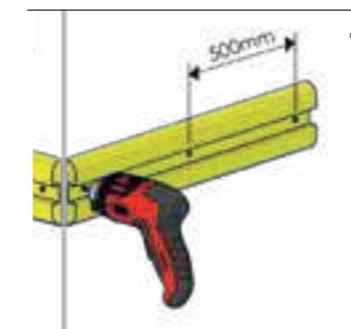
The product is not equipped with fixing accessories for the wall.
Use self-drilling button head cap screw Ø3.9 if mounted to panel or wood walls.
Use plastic plugs Ø3.9 if mounted to concrete walls.

WP 100

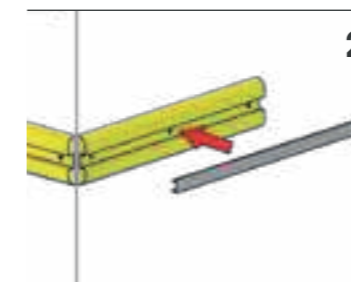
ISTRUZIONI DI INSTALLAZIONE
ASSEMBLY INSTRUCTIONS



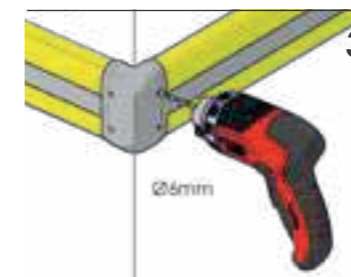
Ø6 mm



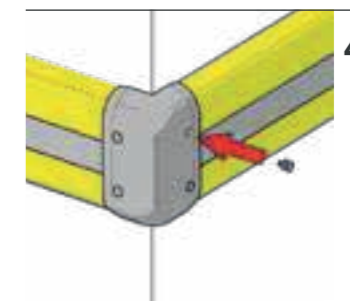
1



2



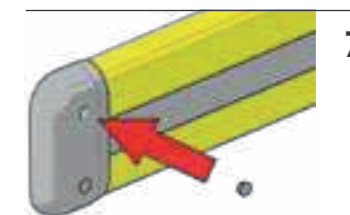
3



4



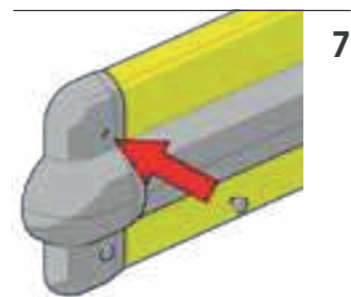
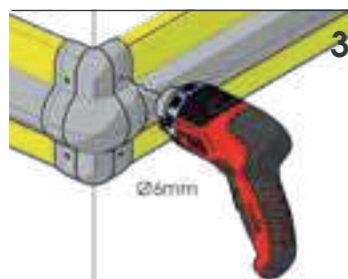
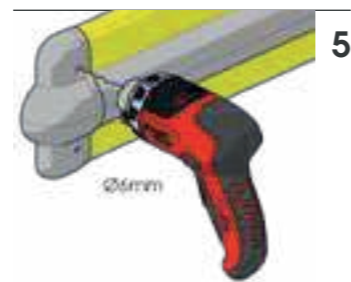
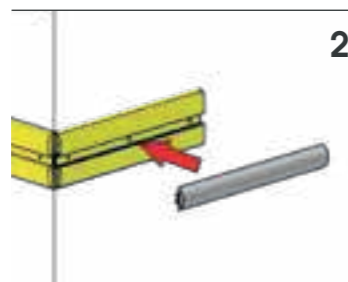
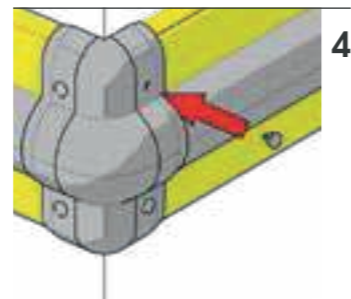
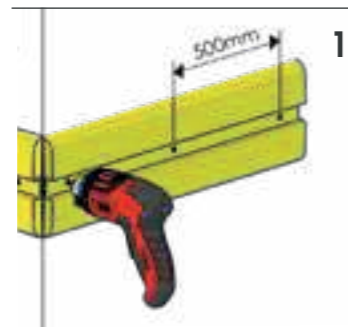
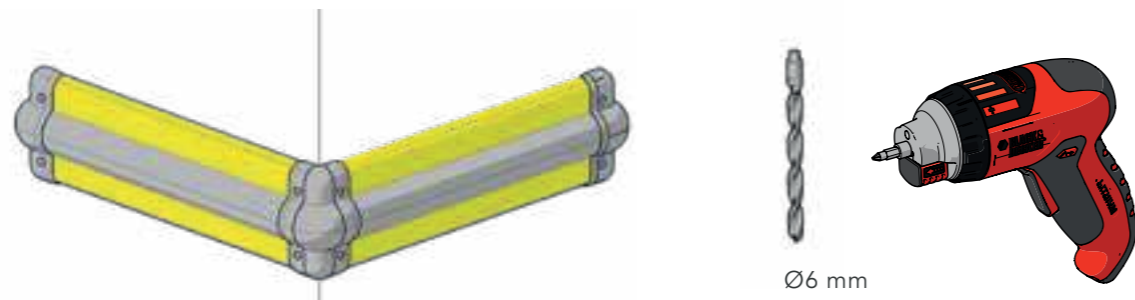
5



7

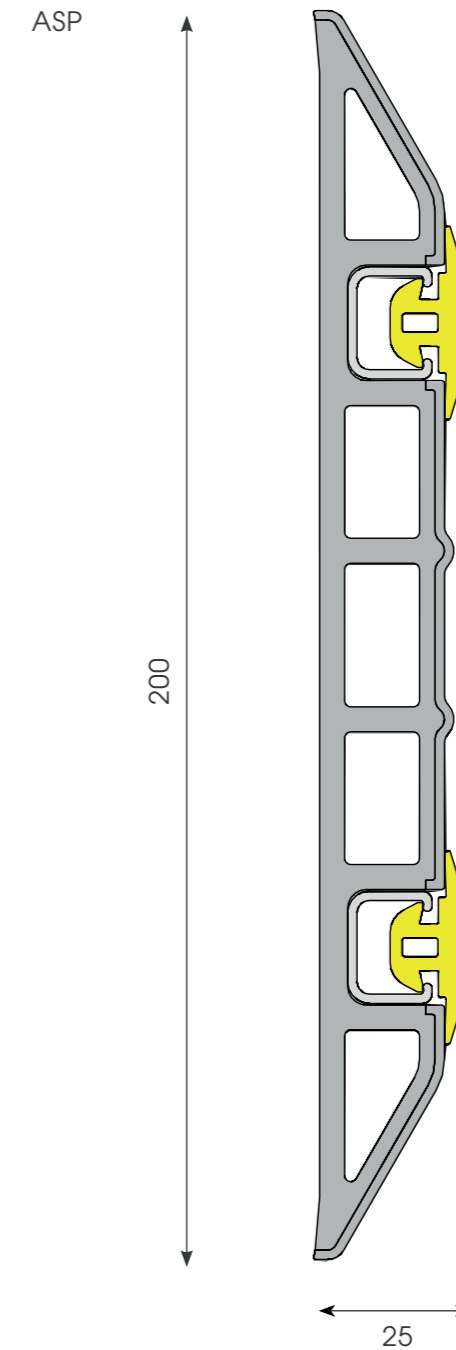
WP 150

ISTRUZIONI DI INSTALLAZIONE
ASSEMBLY INSTRUCTIONS



ASP 200

SISTEMA ANTISHOCK
ANTISHOCK SYSTEM

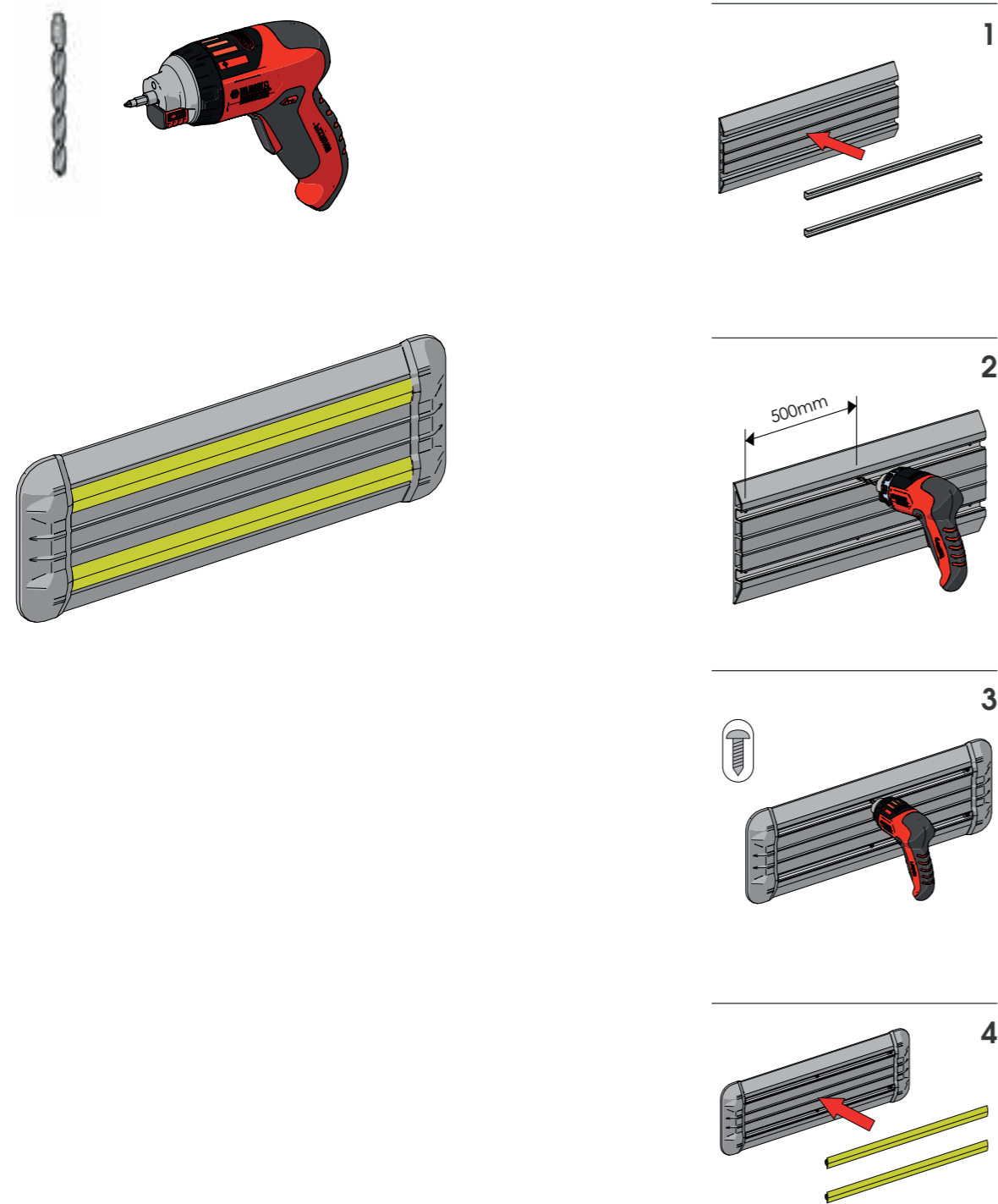


WARNING

The product is not equipped with fixing accessories for the wall.
Use self-drilling button head cap screw Ø3.9 if mounted to panel or wood walls.
Use plastic plugs Ø3.9 if mounted to concrete walls.

ASP 200

ISTRUZIONI DI INSTALLAZIONE
ASSEMBLY INSTRUCTIONS



MPM PROTECTION'S IMPACT RESISTANCE

PRODUCT	MODEL	RAIL LENGTH	LOAD TYPE	ULTIMATE LOAD (JOULES) FOR IMPACT ANGLE DEGREES BELOW						
				10	15	30	45	60	90	
RP RACK PROTECTOR	ANY									1.280,00
RC RACK PROTECTOR	ANY									2.800,00
ROD BOLLARDS	70									2.000,00
	120									3.600,00
GRD BOLLARDS	90									1.600,00
	150									2.800,00
GR GUARD RAIL	90			13.827,98	9.277,48	4.802,21	3.395,46	2772,13		2.400,00
	150			31.112,97	20.874,33	10.804,96	7.639,79	6.237,29		5.400,00
GRIN GUARD RAIL	90	1.500		16.132,65	10.823,73	5.602,57	3.961,37	3.234,15		2.800,00
	150	2.000		45.378,84	30.445,60	15.759,24	11.142,78	9.097,21		7.876,00
SM GUARD RAIL		1.500		4.762,50	3.195,00	1.654,00	1.170,00	954,94		827,00
LM GUARD RAIL		1.500		19.589,64	13.143,10	6.803,12	4.810,24	3.927,18		3.400,00

PRODUCT	MODEL	RAIL LENGTH	LOAD TYPE	ULTIMATE LOAD (JOULES) FOR IMPACT ANGLE DEGREES BELOW					
				10	15	30	45	60	90
FENCE GUARD RAIL	90	1.500		4.609,32	3.092,49	1.600,73	1.131,82	924,04	800,00
	150	1.500		18.140,00	12.171,00	6.300,00	4.455,00	3.637,3	3.150,00
	150 REF	1.500		18.140,00	12.171,00	6.300,00	4.455,00	3.637,3	3.150,00
	150 LINK	2.000		50.101,30	33.614,22	17.400,00	12.303,66	10.045,89	8.700,00
LINK MODULAR	SINGLE	2.000		50.101,30	33.614,22	17.400,00	12.303,66	10.045,89	8.700,00
	LM	2.000		100.202,61*	67.228,44*	34.800,00*	24.607,32*	20.091,79*	17.400,00*
	150/1	2.000		50.101,30	33.614,22	17.400,00	12.303,66	10.045,89	8.700,00
	150/2	2.000		100.202,61*	67.228,44*	34.800,00*	24.607,32*	20.091,79*	17.400,00*
	150/3	2.000		150.303,91*	100.842,66*	52.200,00*	36.910,97*	30.137,68*	26.100,00*
	HR 90 GUARD RAIL	1.500		9.501,90*	6375,00*	3300,00*	2333,40*	1905,27*	1650,00*
PEDESTRIAN GUARD RAIL	90	1.500		17.284,98*	11.596,85*	6.002,76*	4.244,33*	3.465,16*	3.000,00*
	90 REF	2.000		45.378,84	30.445,60	15.759,24	11.142,78	9.097,21	7.876,00
	150	1.500		36.298,46*	24.353,39*	12.605,79*	8.913,09*	7.276,84*	6.300,00*
	90 4 PE	1.500		23.046,64*	15.462,47*	8.003,68*	5.659,10*	4.620,21*	4.000,00*
	150 4 PE	2.000		48.397,95*	32.471,19*	16.807,72*	11.884,12*	9.702,45*	8.400,00*
	150 REF LINK	2.000		50.101,30	33.614,22	17.400,00	12.303,66	10.045,89	8.700,00

PRODUCT	MODEL	RAIL LENGTH	LOAD TYPE	ULTIMATE LOAD (JOULES) FOR IMPACT ANGLE DEGREES BELOW					
				10	15	30	45	60	90
TOWER GUARD RAIL				36.298,46*	24.353,39*	12.605,79*	8.913,09*	7.276,84*	6.300,00*
COPRO GUARD RAIL	90			13.827,98	9.277,48	4.802,21	3.395,46	2772,13	2.400,00
	150			31.112,97	20.874,33	10.804,96	7.639,79	6.237,29	5.400,00
CP CORNER PROTECTION	100			2.649,00	1.777,00	920,00	650,50	531,16	460,00
	200			3.743,20	2.511,00	1.300,00	919,20	750,56	650,00

* MPM specifies that such values are the result of a multiplication of the unit data for the number of rails.
The unit data is proved by tests, stored in MPM, on excellent conditions goods. Such tests cannot take note of particular situations, installation or bad maintenance.

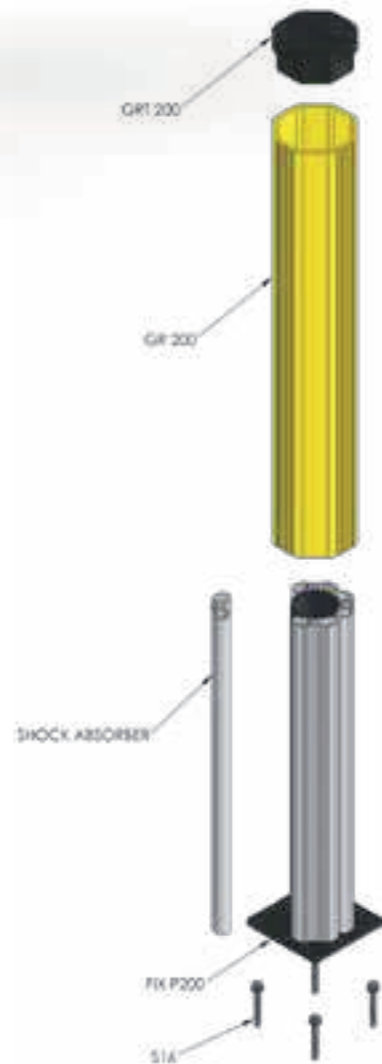
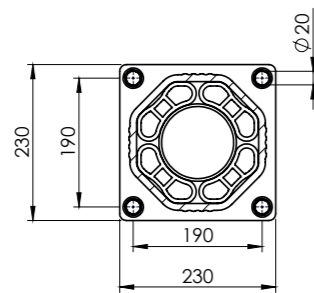
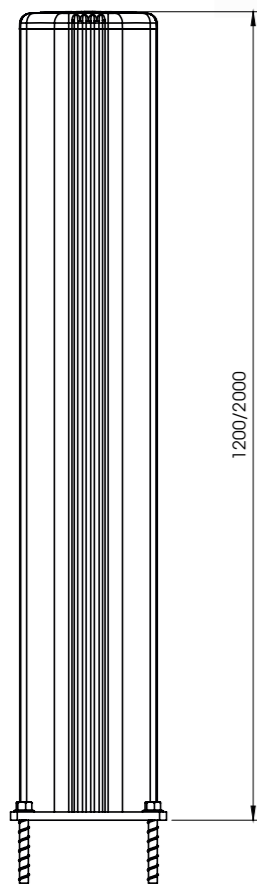
LEGEND SYMBOLS	VEHICLE LOAD	VEHICLE TYPE	LEGEND SYMBOLS	VEHICLE LOAD	VEHICLE TYPE
		ELECTRIC PEDESTRIAN TRUCK			LIGHTWEIGHT COUNTERBALANCE FORKLIFT TRUCK
LIGHT LOAD FOR HANDPALLET TRUCKS		ELECTRIC PEDESTRIAN STACKER			ENGINE HEAVY DUTY FORKLIFT TRUCK
		MANUAL PALLET TRUCK			ELECTRIC PALLET TRUCK WITH RIDER PLATFORM

NEW. GRD 200

SHOCK ABSORBING
INSIDE



**NEW
GRD 200**



NEW. BFLEX



**NEW
BFLEX**

