

# TECHNICAL DATA SHEETS

PLASTIC PROTECTIONS AND SAFETY BARRIERS

**NEW**  
COLD LINE



M.P.M. s.r.l.  
Via Europa 2  
35010 Fratte  
di S. Giustina in Colle  
Padova · Italy

T +39 049 9301773  
F +39 049 9300427  
info@mpmpvc.com  
mpmprotections.com



**Safeway360**

[www.safeway360.com](http://www.safeway360.com)

**Safeway360**



SAFETY ENGINEERING  
FOR A SAFE WORK

Safeway360

SEGURIDAD GLOBAL

# Exterior & Interior

Protección de personas



Protección de activos y bienes



Señalización temporal y definitiva



Delimitaciones de zonas de trabajo



Diseño y soluciones a medida



ESTUDIO Y PROYECTO



PRODUCTO E INSTALACIÓN



POSTVENTA Y MANTENIMIENTO

# CONTENTS

## DATA SHEETS / ASSEMBLY INSTRUCTIONS

### 01

#### RACK PROTECTIONS

RACK PROTECTORS	
RPS/RPM/RPL/RPL XL 600	03
RACK CORNER	06

#### RACK-END BARRIERS

SM	8
LM	11
FENCE 90	14
FENCE 150	16
FENCE 150 REINFORCED	18

### 02

#### BOLLARD

GRD 90	20
GRD 150	21

### 03

#### GUARD RAIL

TRUCK LINE	23
GR 90	25
GR 150	30
GRIN 90	33
GRIN 150	34

### 04

#### COLD LINE

ROD PE 70	37
ROD PE 120	40
ROD FLOOR 70	43
ROD FLOOR 120	48

### 05

#### PEDASTRIAN AND SAFETY BARRIERS

HR 90	51
PED 90	54
PED 150	57
CORNER PED 90	60
CORNER PED 150	63
PED 90 REINFORCED	67
PED 150 REF LINK	70

### 06

#### DOORS

FULL FRAME	74
DP 90 ONEWAY	77
DP 90 SWING	81
DP 150 ONEWAY	85
DP150 SWING	89
LIFT GATE 90	93
LIFT GATE 150	97

### 07

#### LINK

LINK SINGLE	101
LINK LM	104
LINK 150/1	107
LINK 150/2	111
LINK 150/3	115

### 08

#### REMOVABLE SAFETY BARRIERS

REMOVABLE SAFETY BARRIERS 90	118
REMOVABLE SAFETY BARRIERS 150	120

### 09

#### COLUMN PROTECTION

COPRO 90	122
COPRO 150	125
HUG TOWER	128
TOWER	131

### 10

#### LOADING BAYS PROTECTIONS

DOCK GATE	135
-----------	-----

### 11

#### CORNER PROTECTION

CP 100/200	139
------------	-----

### 12

#### KERB

KERB 200/300	141
--------------	-----

### 13

#### WALL PROTECTION

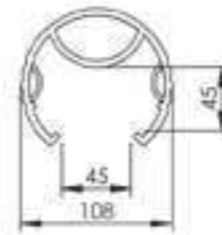
WALL BUMPERS	
WP 100/150	146
ANTISHOCK SYSTEM	
ASP 200	149

# RPS/RPM/RPL/RPL XL 600

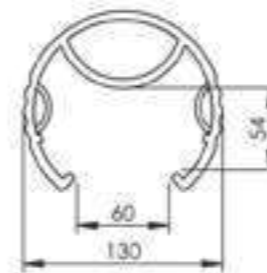
PROTEZIONE MONTANTE MEDIO  
MEDIUM RACK PROTECTOR



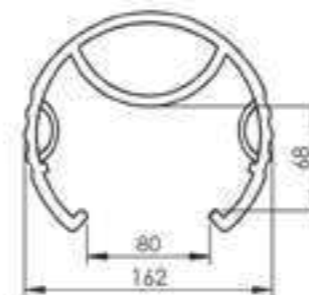
RPS



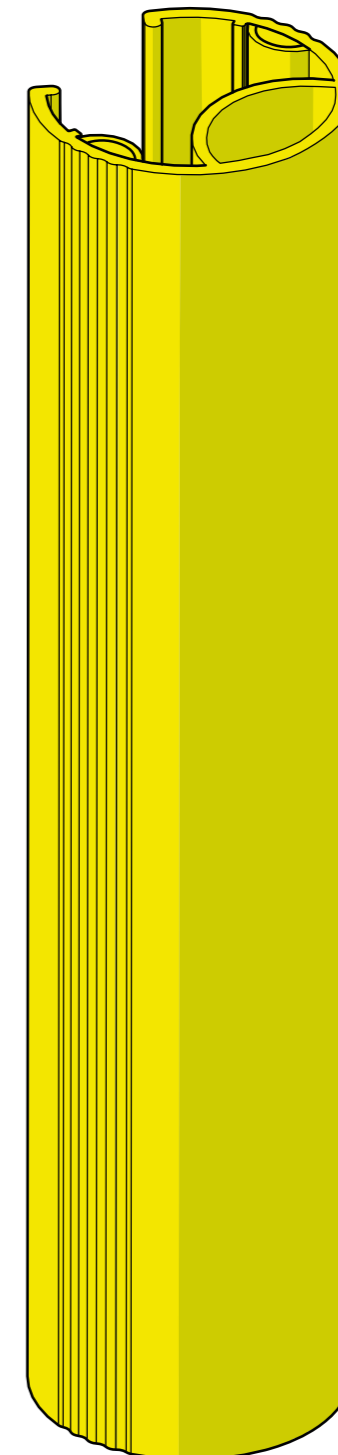
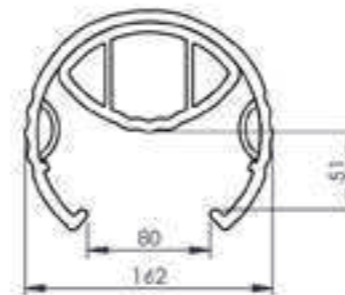
RPM



RPL



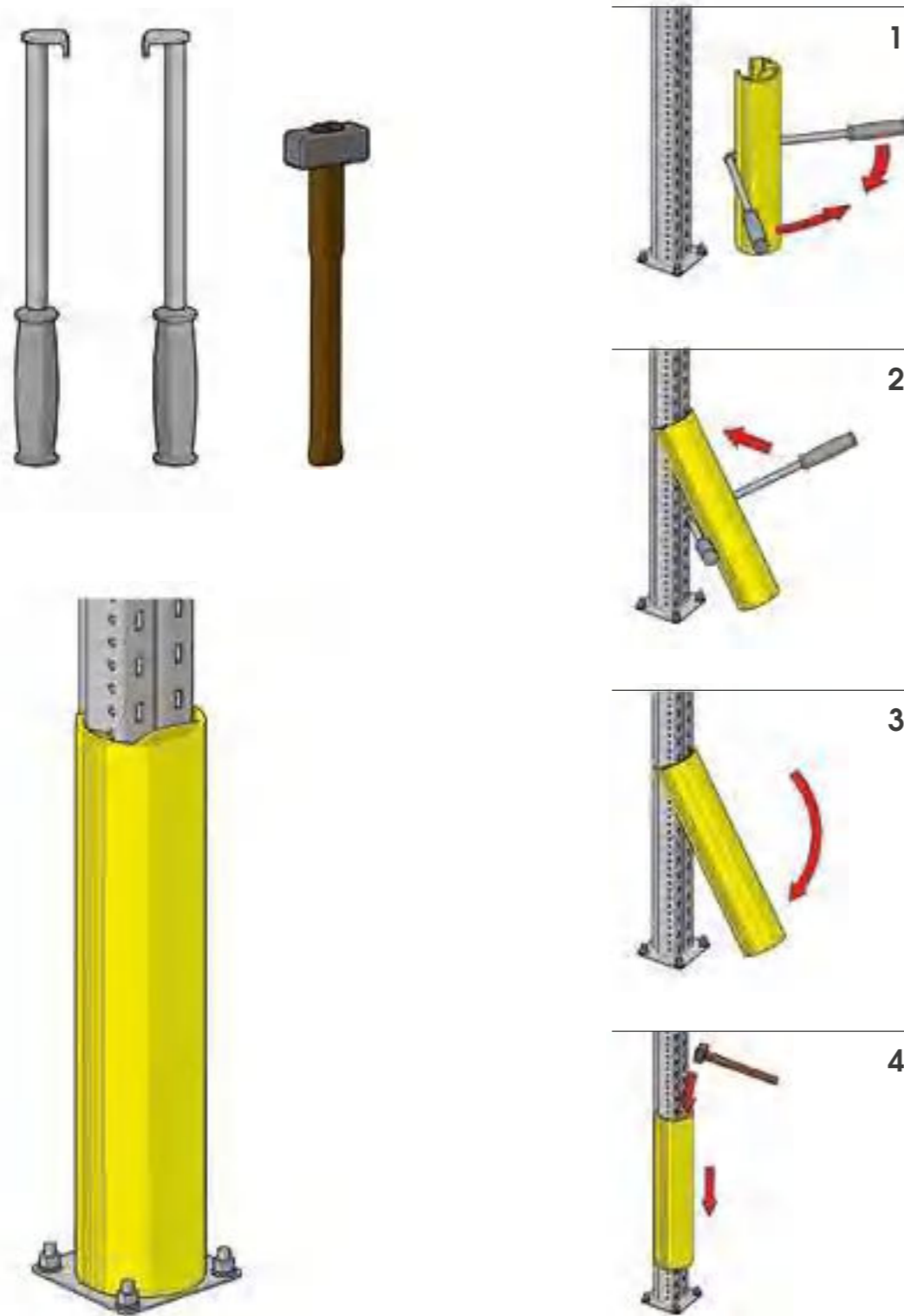
RPL XL



**IMPACT TEST PASSED**  
according to  
EN 15512:2009

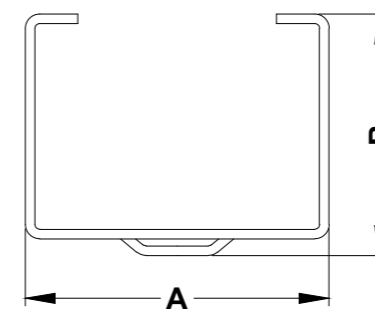
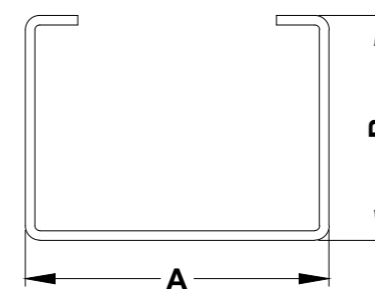
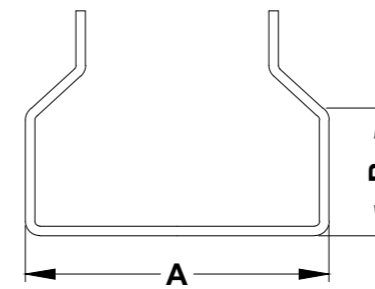
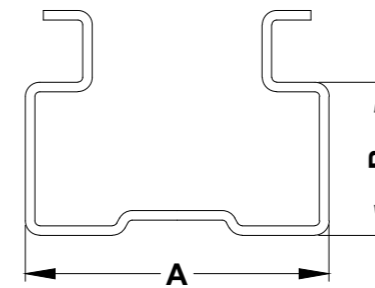
# RPS/RPM/RPL/RPL XL

ISTRUZIONI DI INSTALLAZIONE  
ASSEMBLY INSTRUCTIONS



# UPRIGHT SIZE LAYOUT

PLEASE CHECK SIZE MENTIONED AS "A" AND "B"  
ON YOUR UPRIGHT IN ORDER TO CHOOSE THE RIGHT PVC PROTECTOR  
CUSTOMIZED PROTECTORS AVAILABLE ON REQUEST



RACK PROTECTOR	A	B
RPS	70	50
	75	45
	75	50
	76	50
	80	35
	80	40
	80	42
	80	44
	80	45
	80	50
	85	40
	85	45
RPM	85	50
	90	35
	80	57
	80	60
	90	48
	90	50
	90	60
RPL	100	45
	100	50
	100	55
	120	60
	122	69
	130	60
	130	65

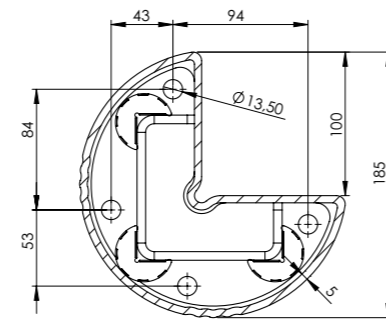
# RACK CORNER

PROTEZIONE ANGOLO SCAFFALE  
RACK CORNER

IMPACT TEST PASSED  
according to  
EN 15512:2009

→ HUG TOW CAP

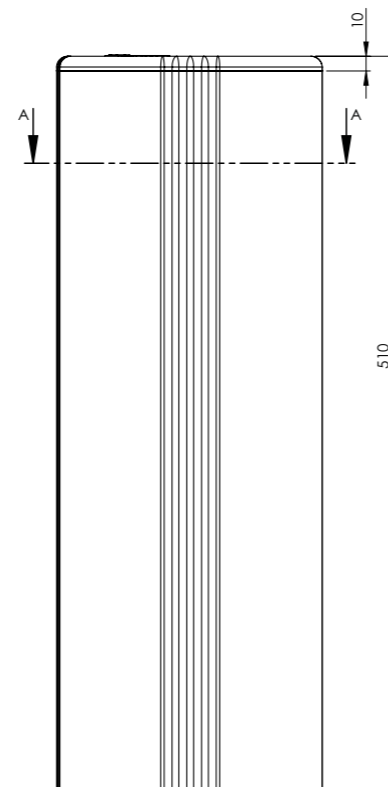
→ TOW HV



→ PROTEX

→ FIX P CORNER RACK

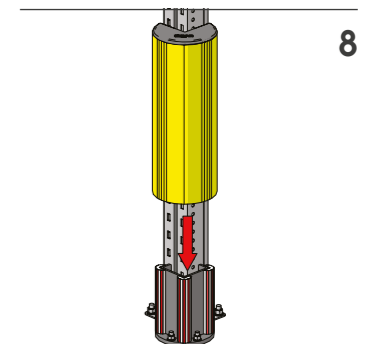
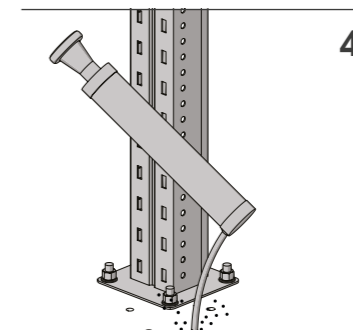
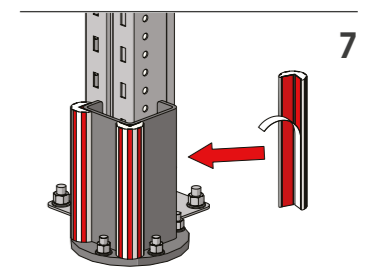
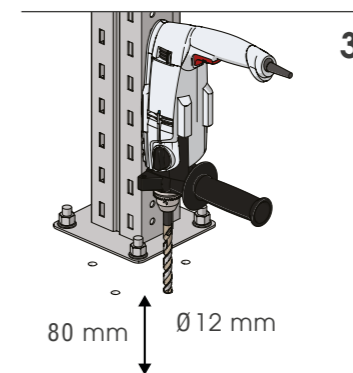
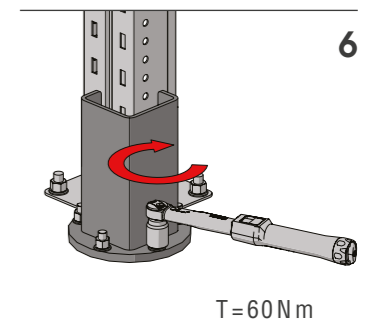
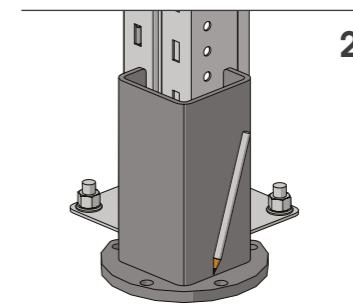
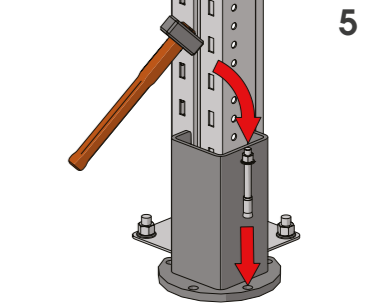
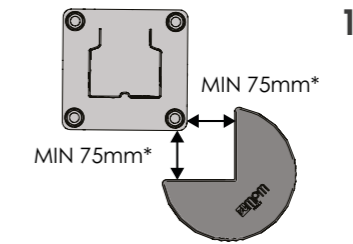
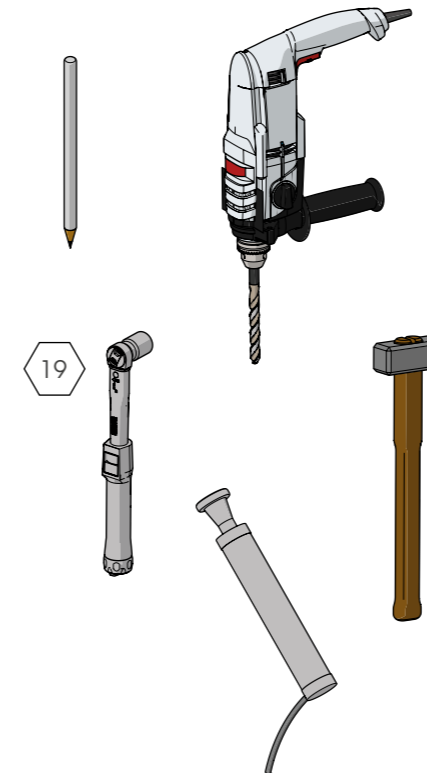
→ M12



# RACK CORNER

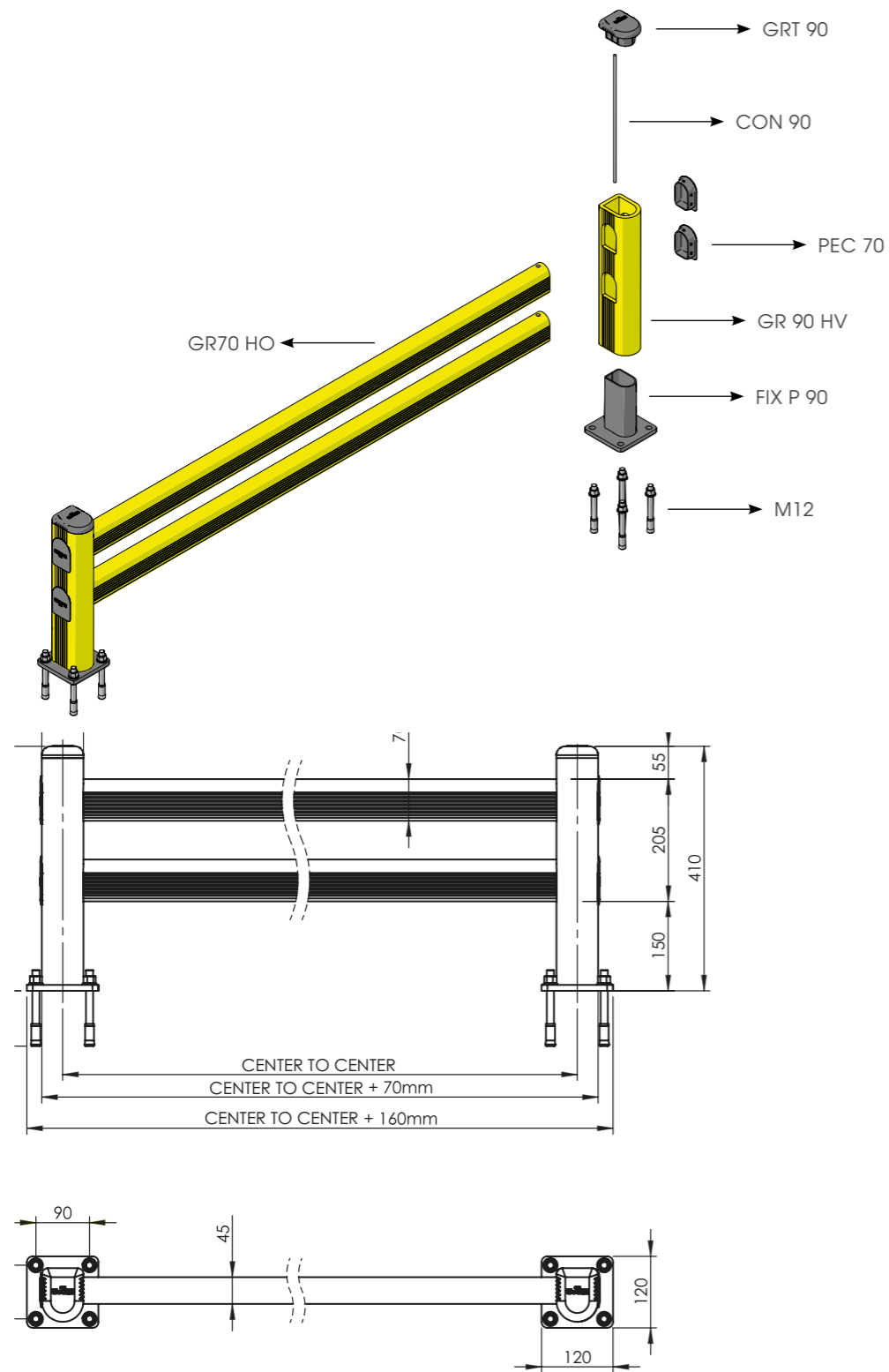
ISTRUZIONI DI INSTALLAZIONE  
ASSEMBLY INSTRUCTIONS

ONLY WITH MECHANICAL ANCHOR M12



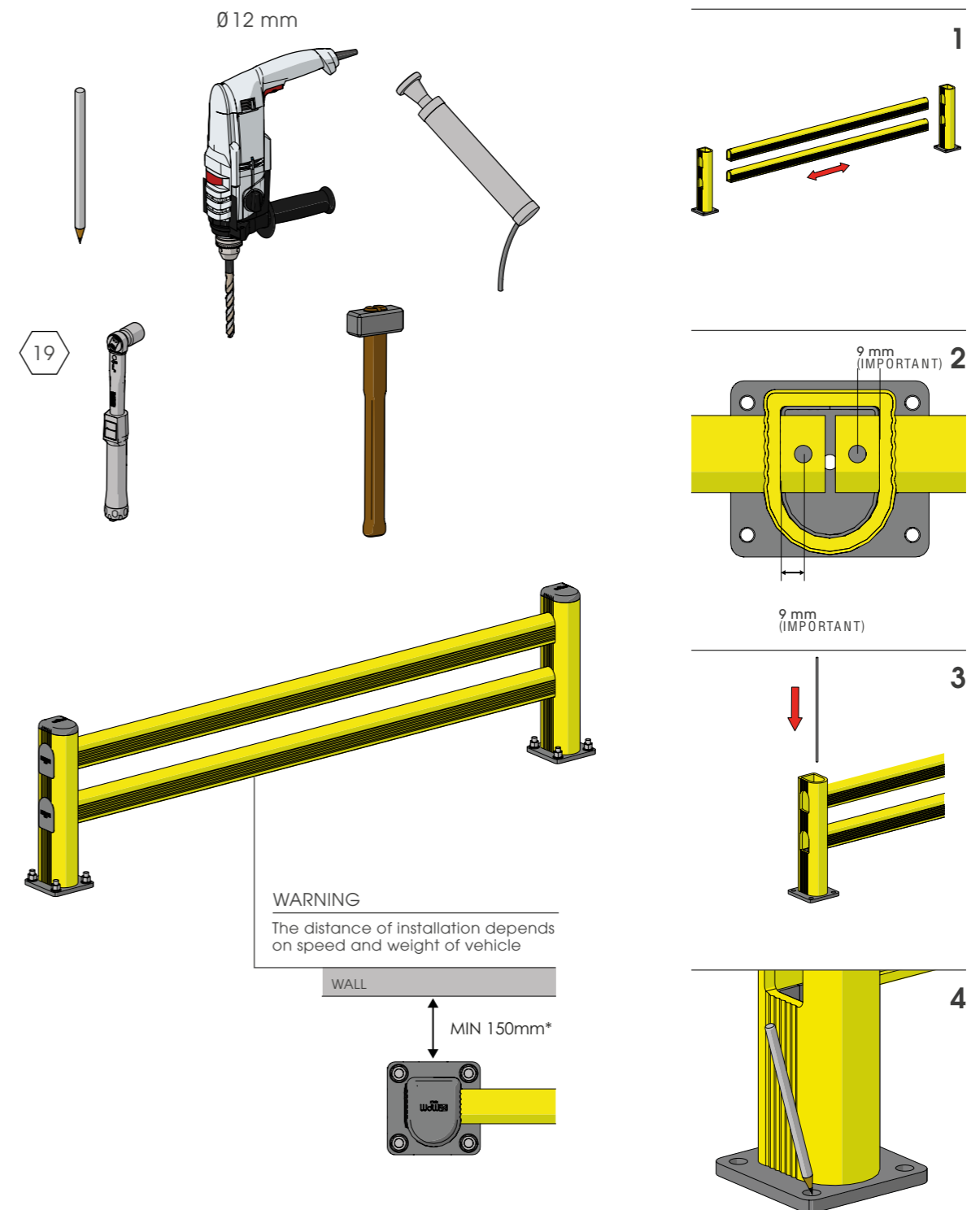
# SM

GUARD RAIL A DOPPIA BARRIERA  
DOUBLE RAIL BARRIER



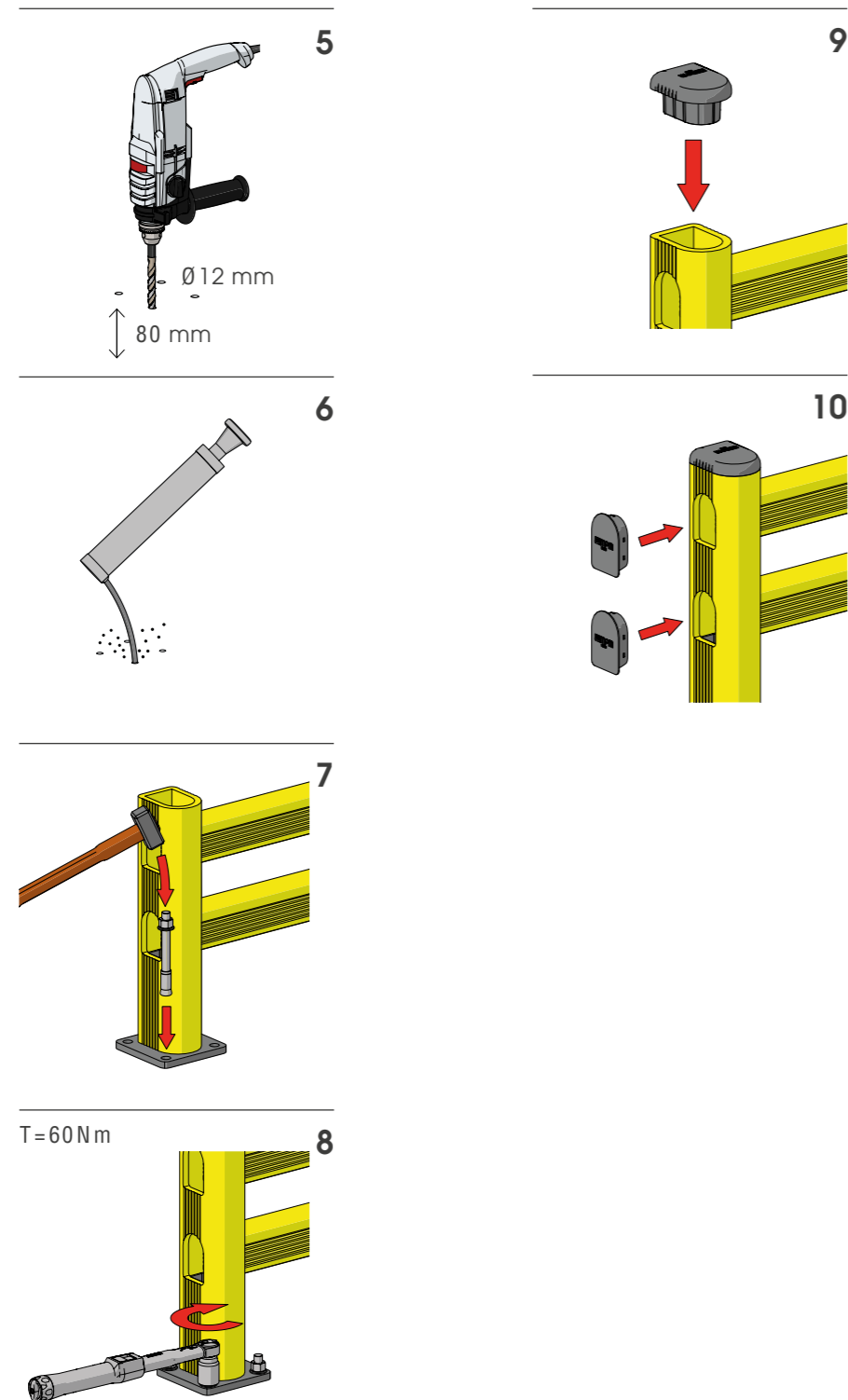
# SM

ISTRUZIONI DI INSTALLAZIONE  
ASSEMBLY INSTRUCTIONS



# SM

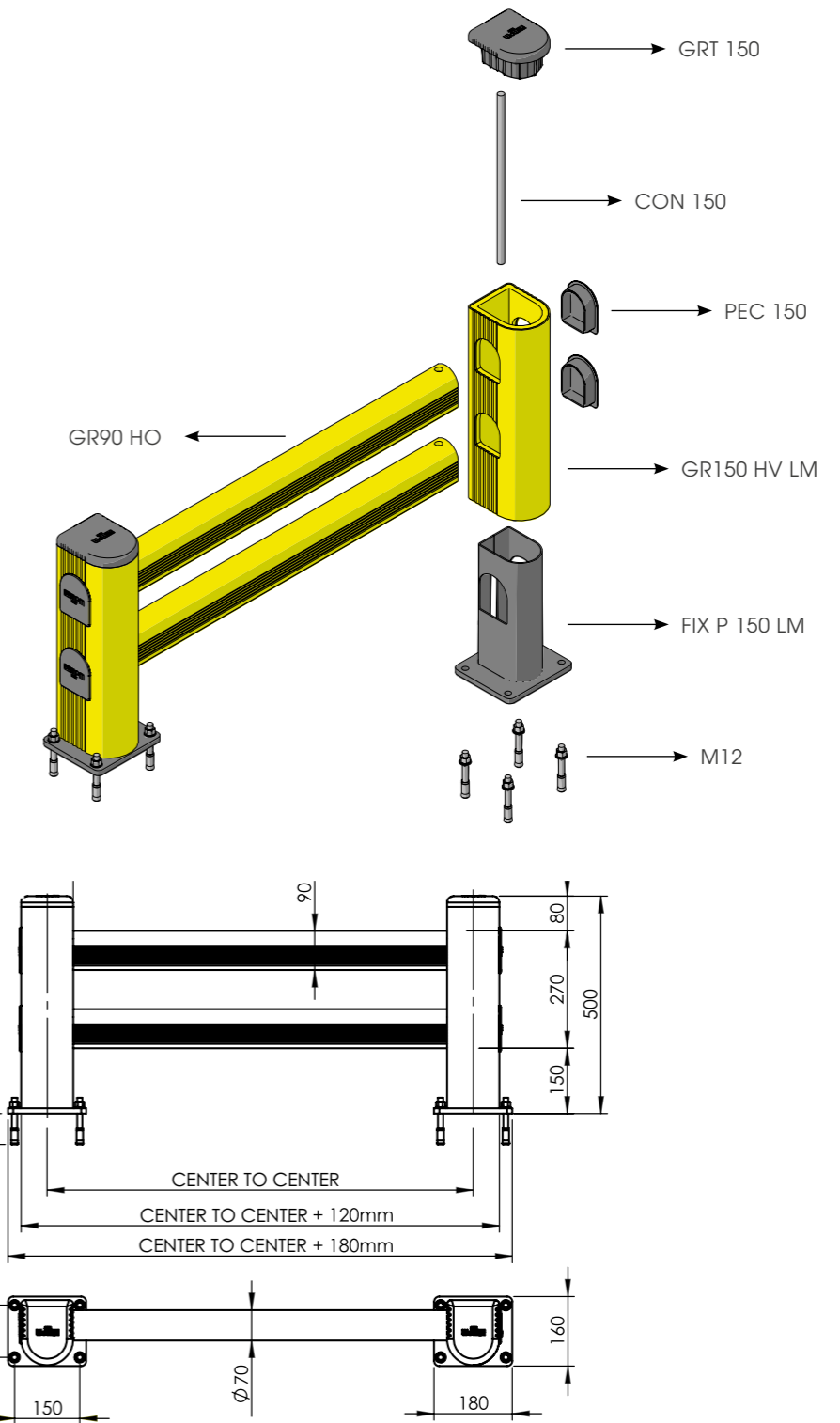
ISTRUZIONI DI INSTALLAZIONE  
ASSEMBLY INSTRUCTIONS



# LM

GUARD RAIL A DOPPIA BARRIERA  
DOUBLE RAIL BARRIER

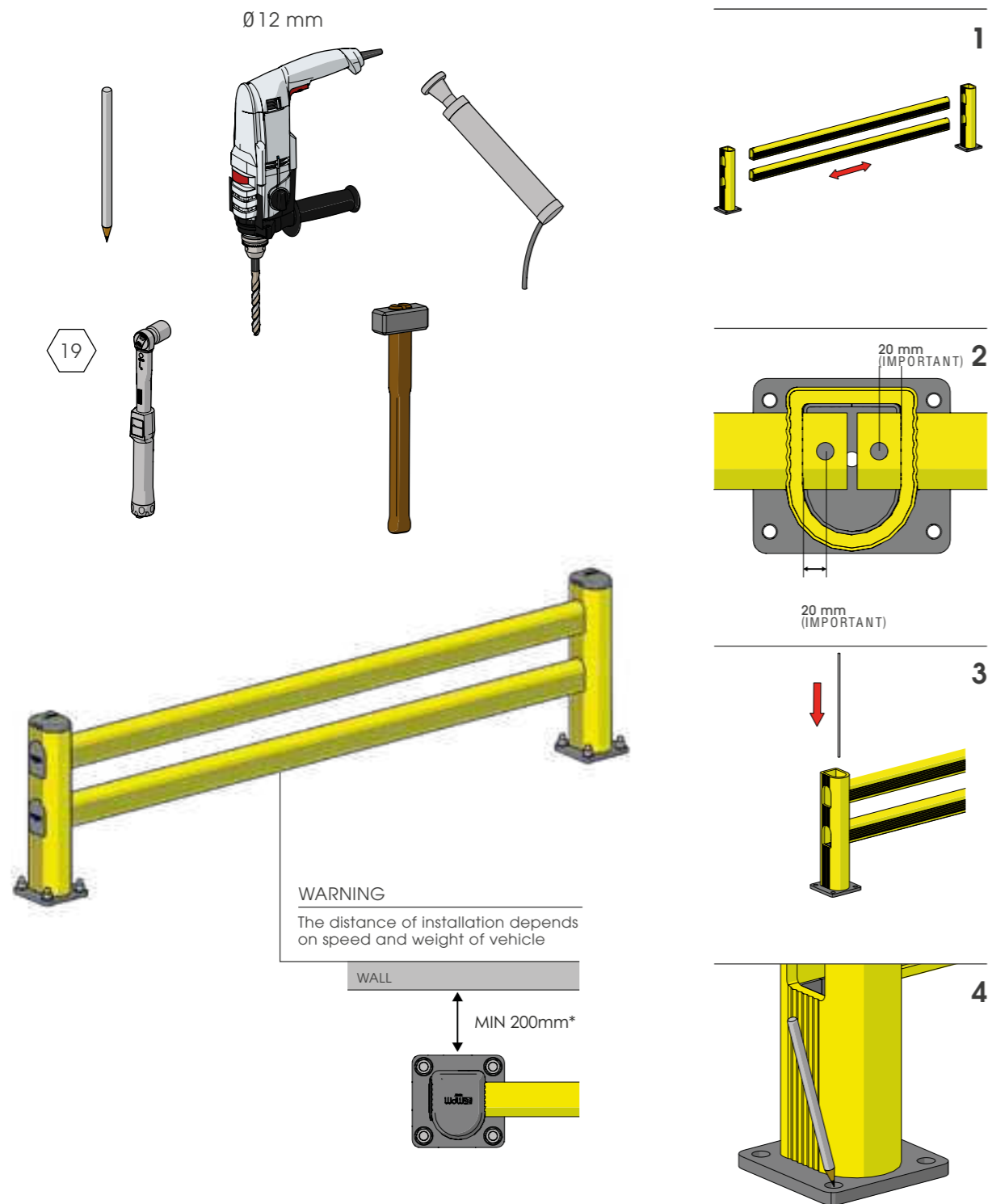
IMPACT TEST PASSED  
according to  
EN 15512:2009





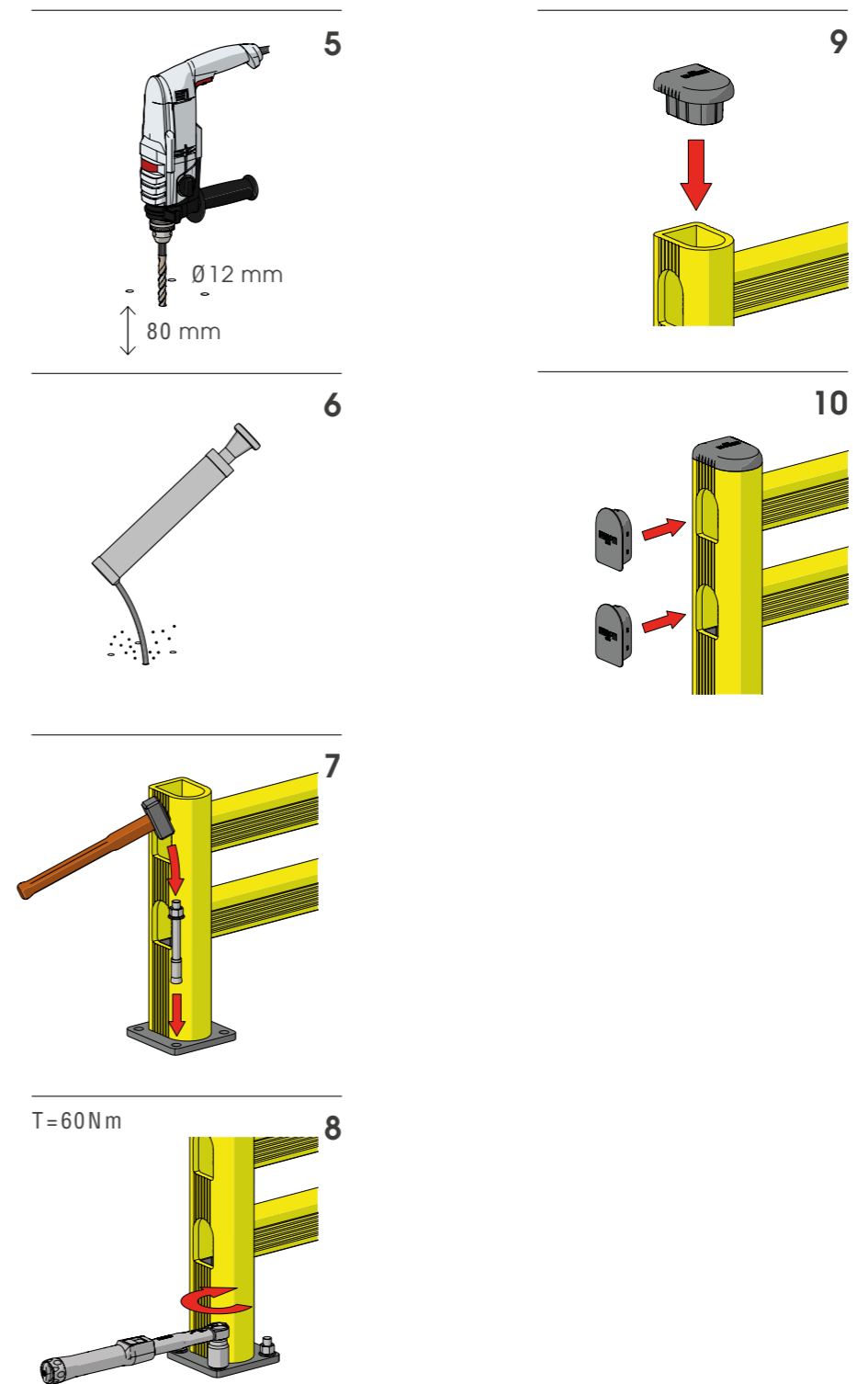
# LM

ISTRUZIONI DI INSTALLAZIONE  
ASSEMBLY INSTRUCTIONS



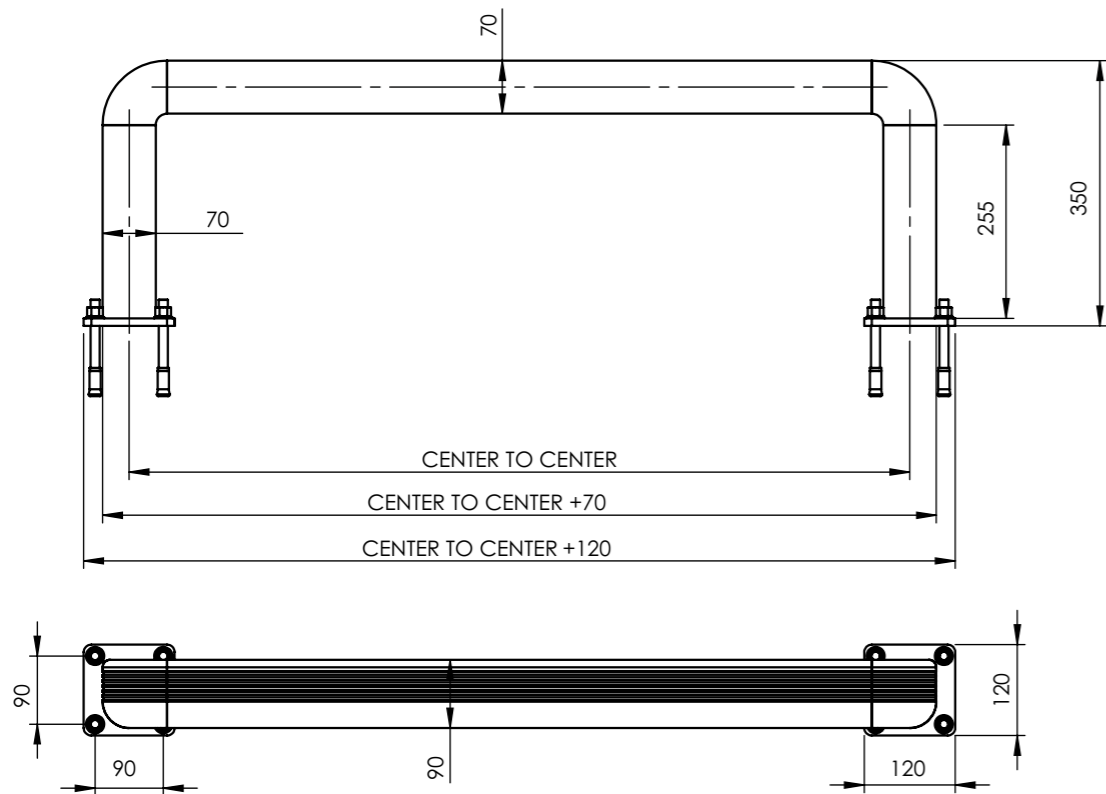
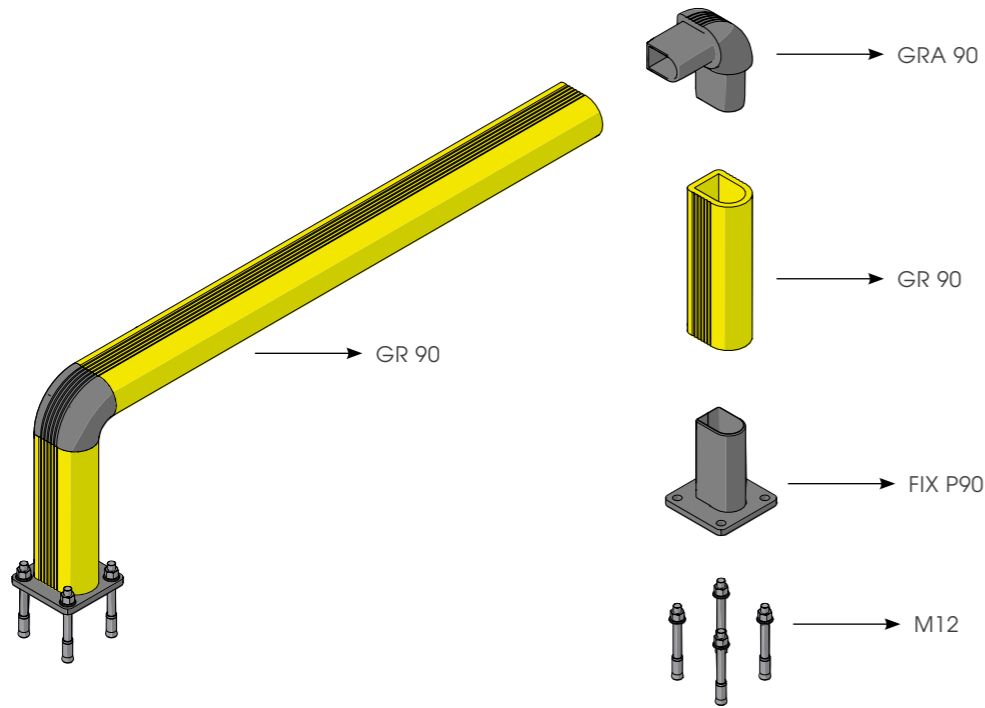
# LM

ISTRUZIONI DI INSTALLAZIONE  
ASSEMBLY INSTRUCTIONS



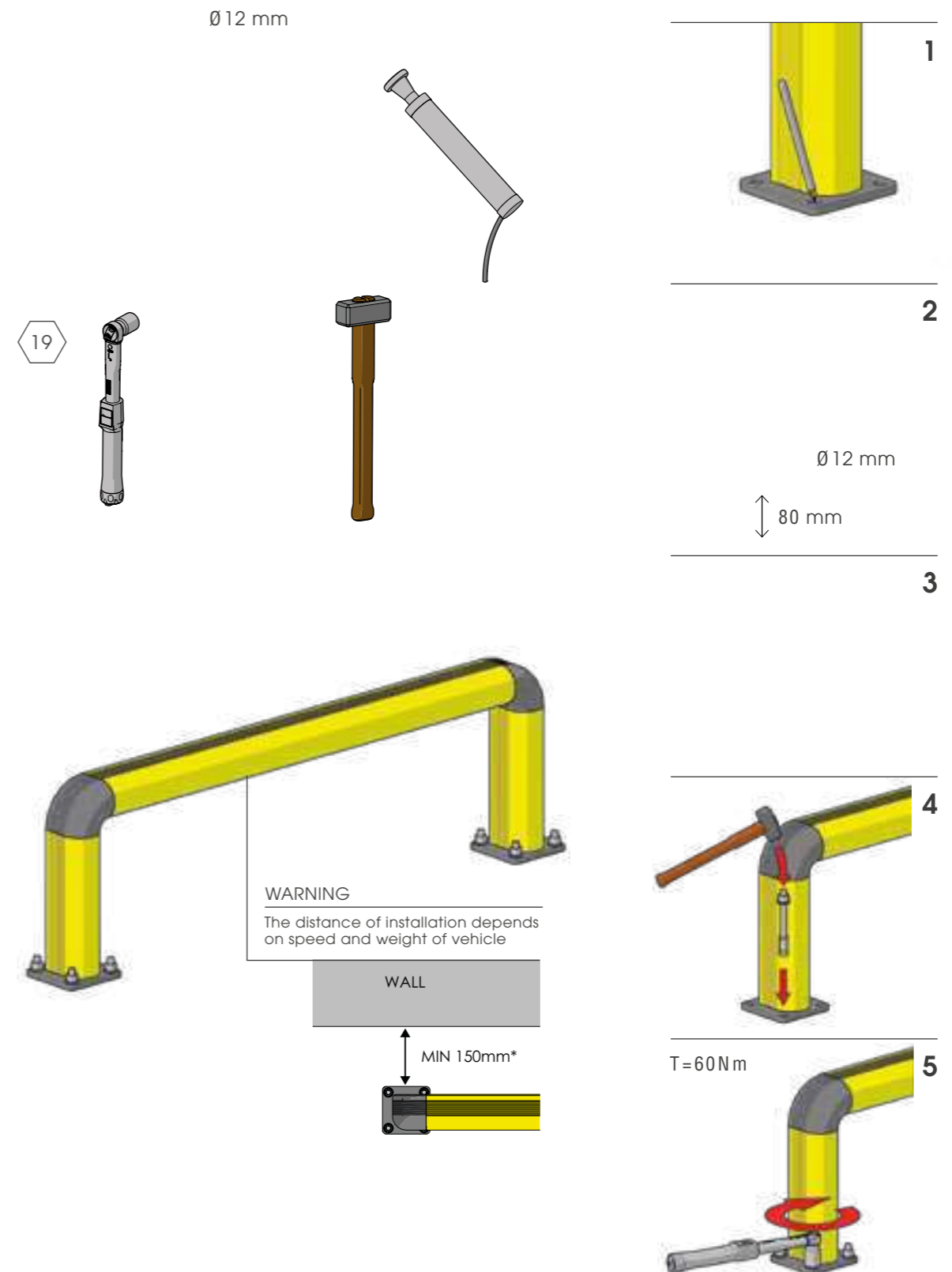
# FENCE 90

BARRIERE DI PROTEZIONE PER SCAFFALI  
RACK END BARRIER



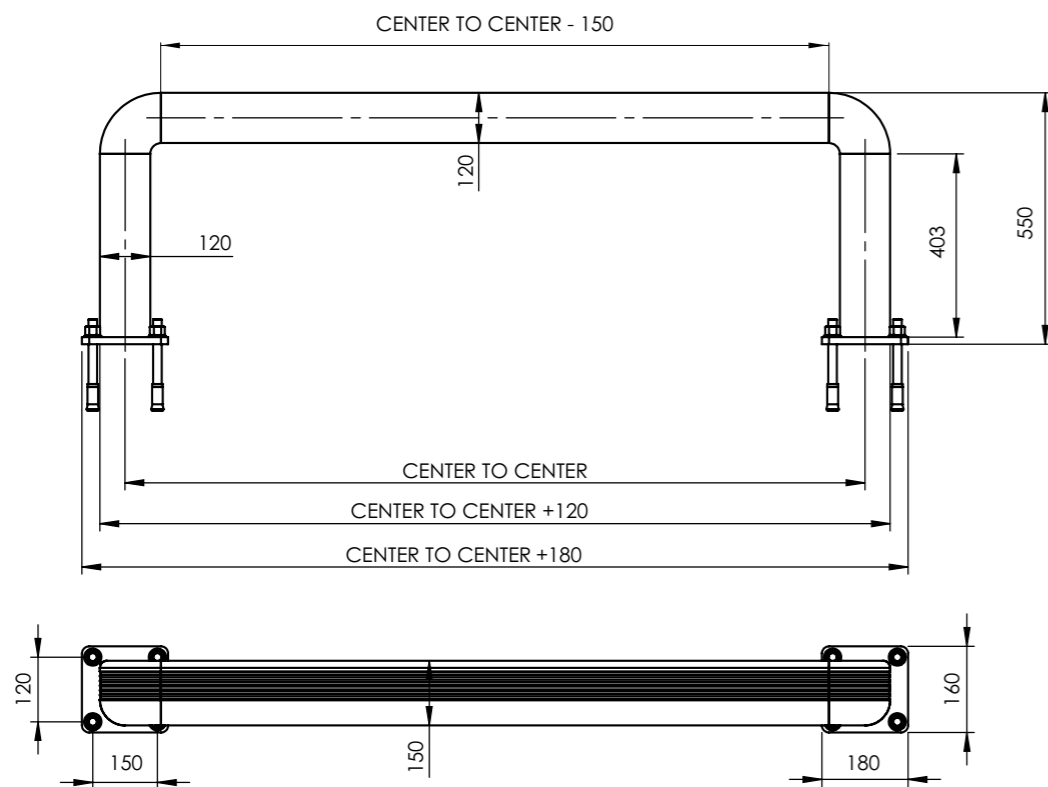
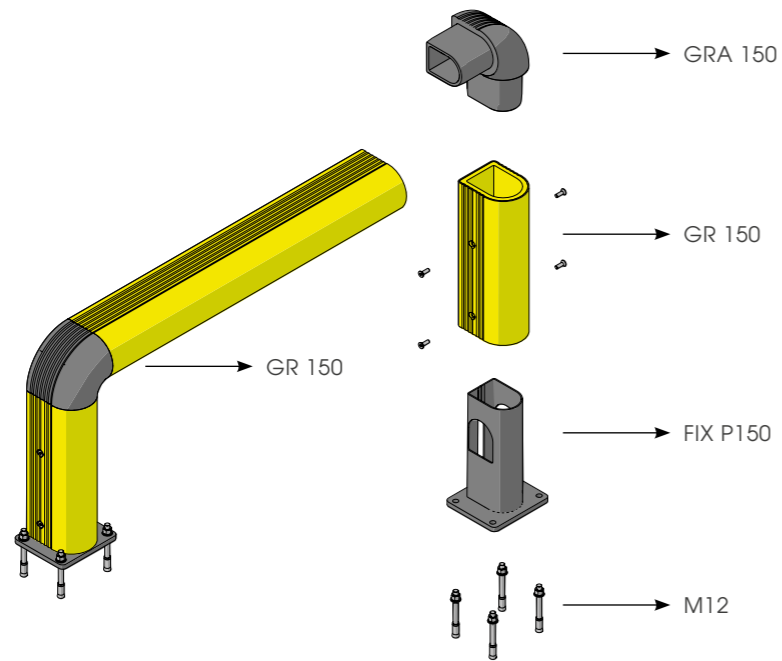
# FENCE 90

ISTRUZIONI DI INSTALLAZIONE  
ASSEMBLY INSTRUCTIONS



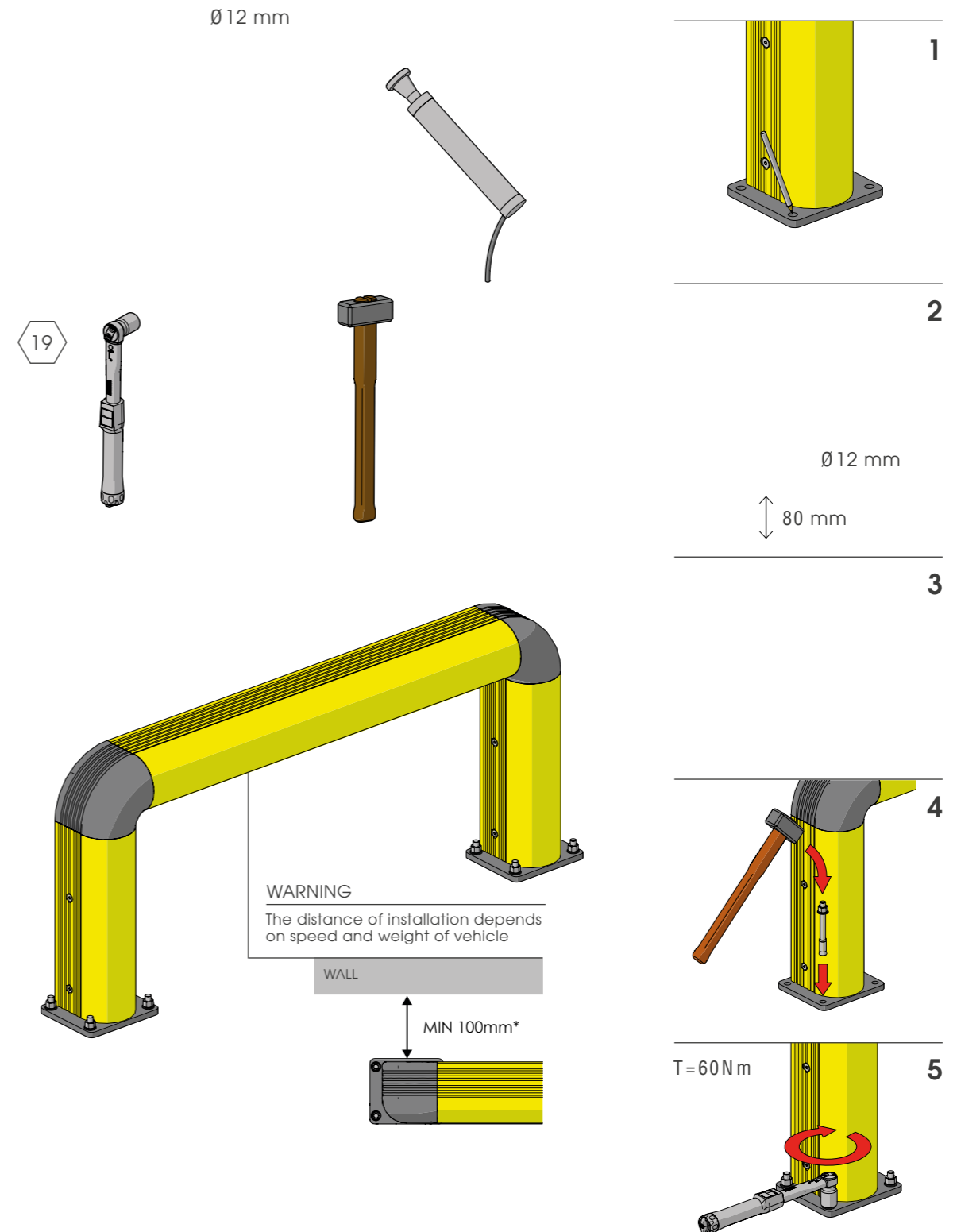
# FENCE 150

BARRIERE DI PROTEZIONE PER SCAFFALI  
RACK END BARRIER



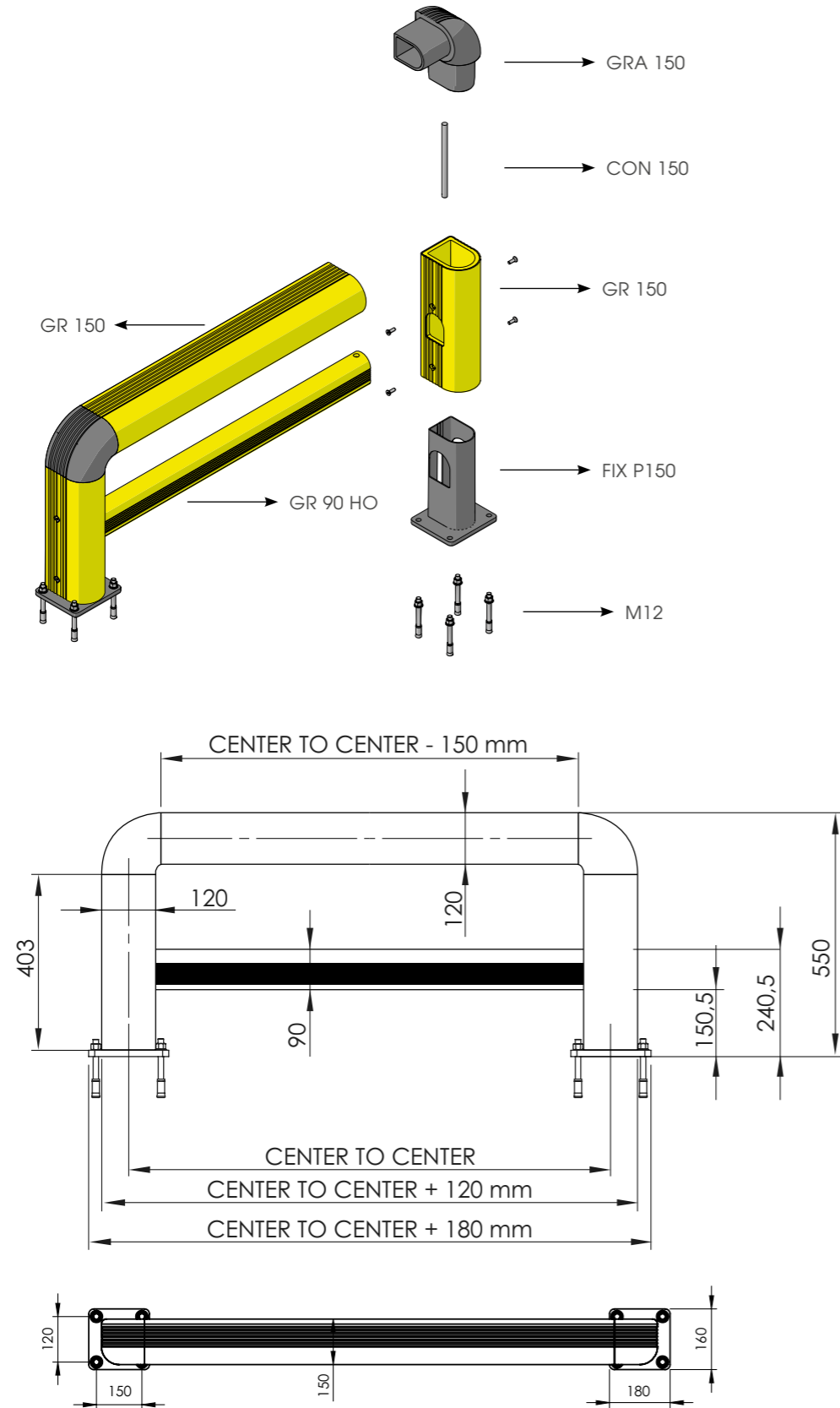
# FENCE 150

ISTRUZIONI DI INSTALLAZIONE  
ASSEMBLY INSTRUCTIONS



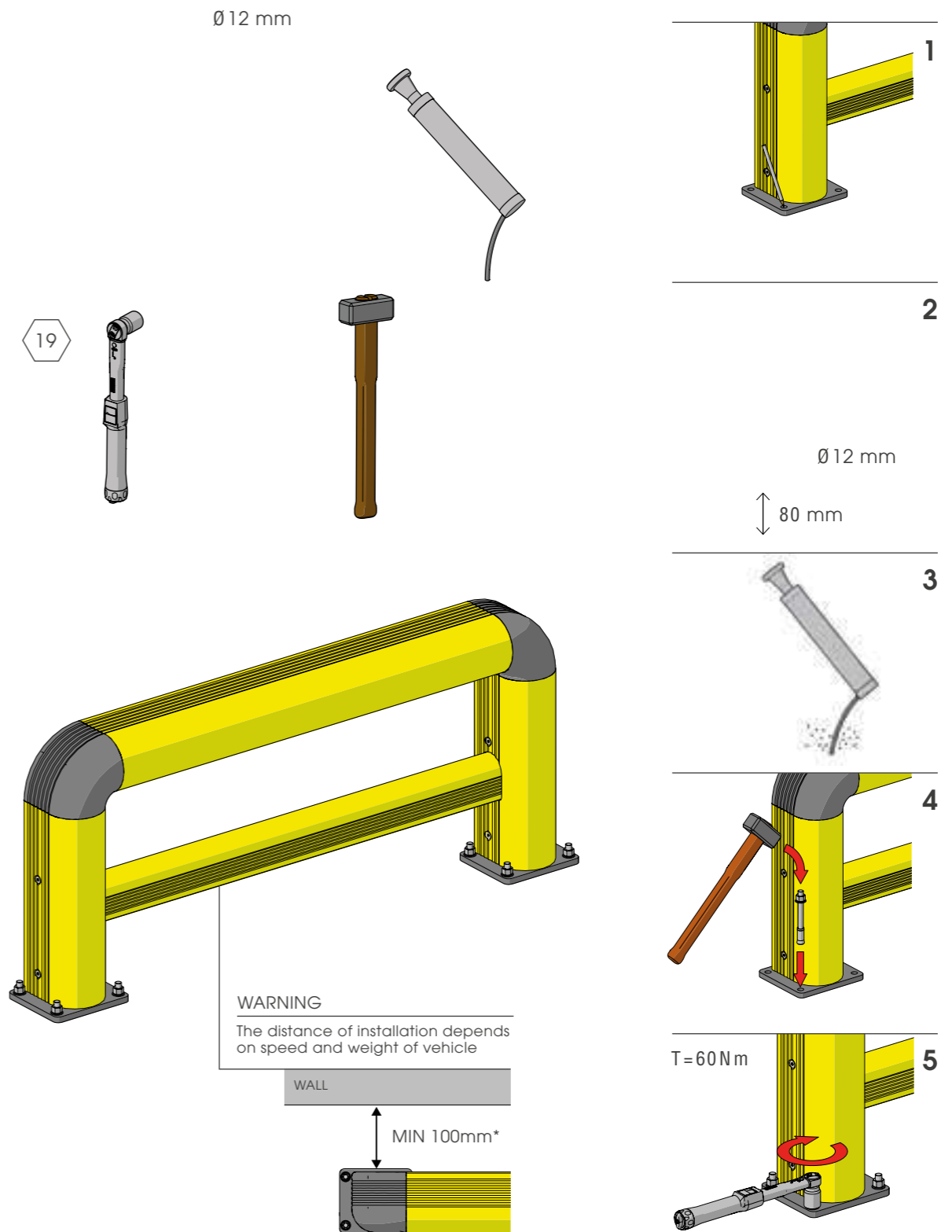
# FENCE 150 REINFORCED

BARRIERE DI PROTEZIONE PER SCAFFALI  
RACK END BARRIER



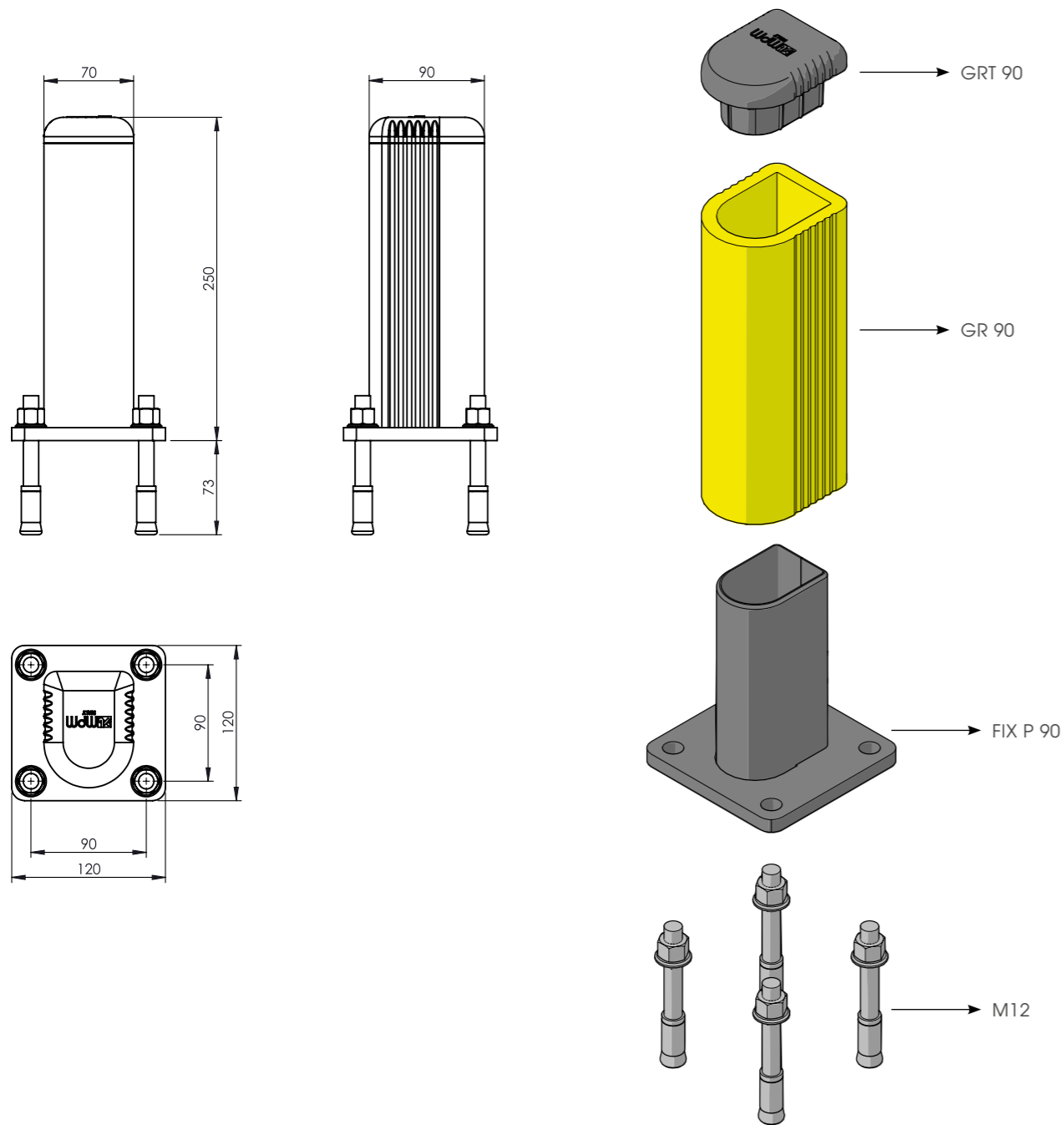
# FENCE 150 REINFORCED

ISTRUZIONI DI INSTALLAZIONE  
ASSEMBLY INSTRUCTIONS



# GRD 90

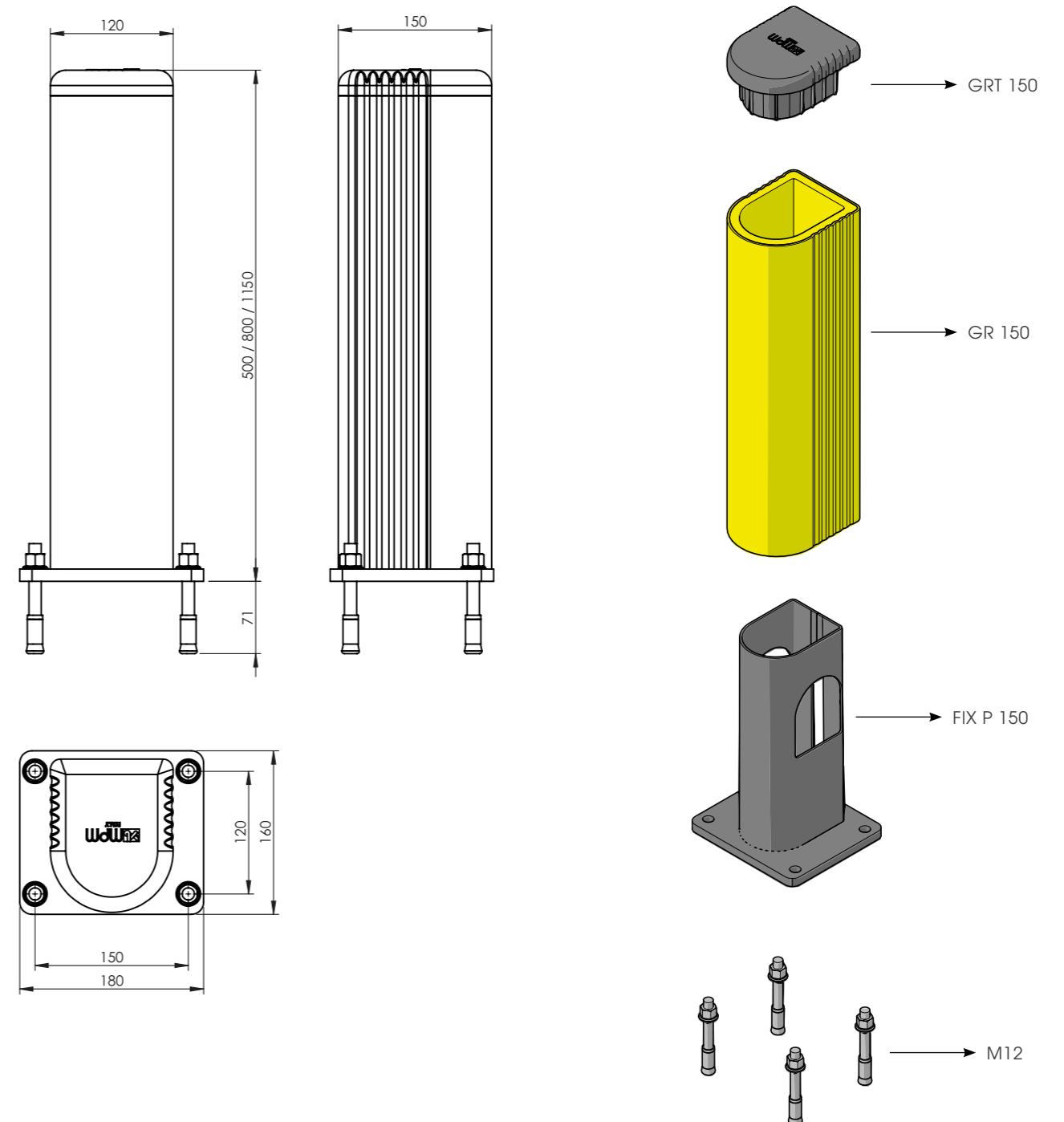
PALO PROTEZIONE  
BOLLARD



# GRD 150

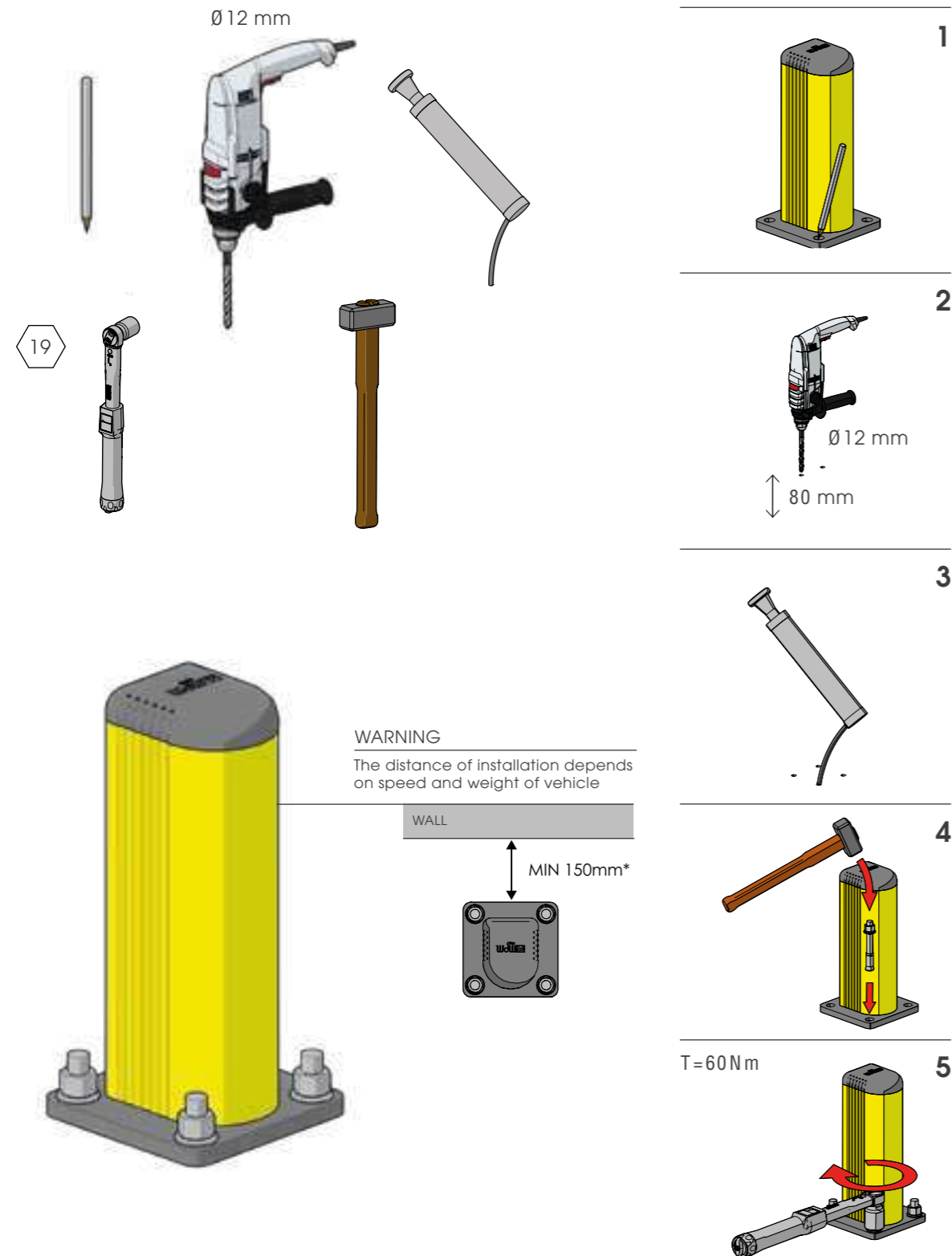
PALO PROTEZIONE  
BOLLARD

IMPACT TEST PASSED  
according to  
EN 15512:2009

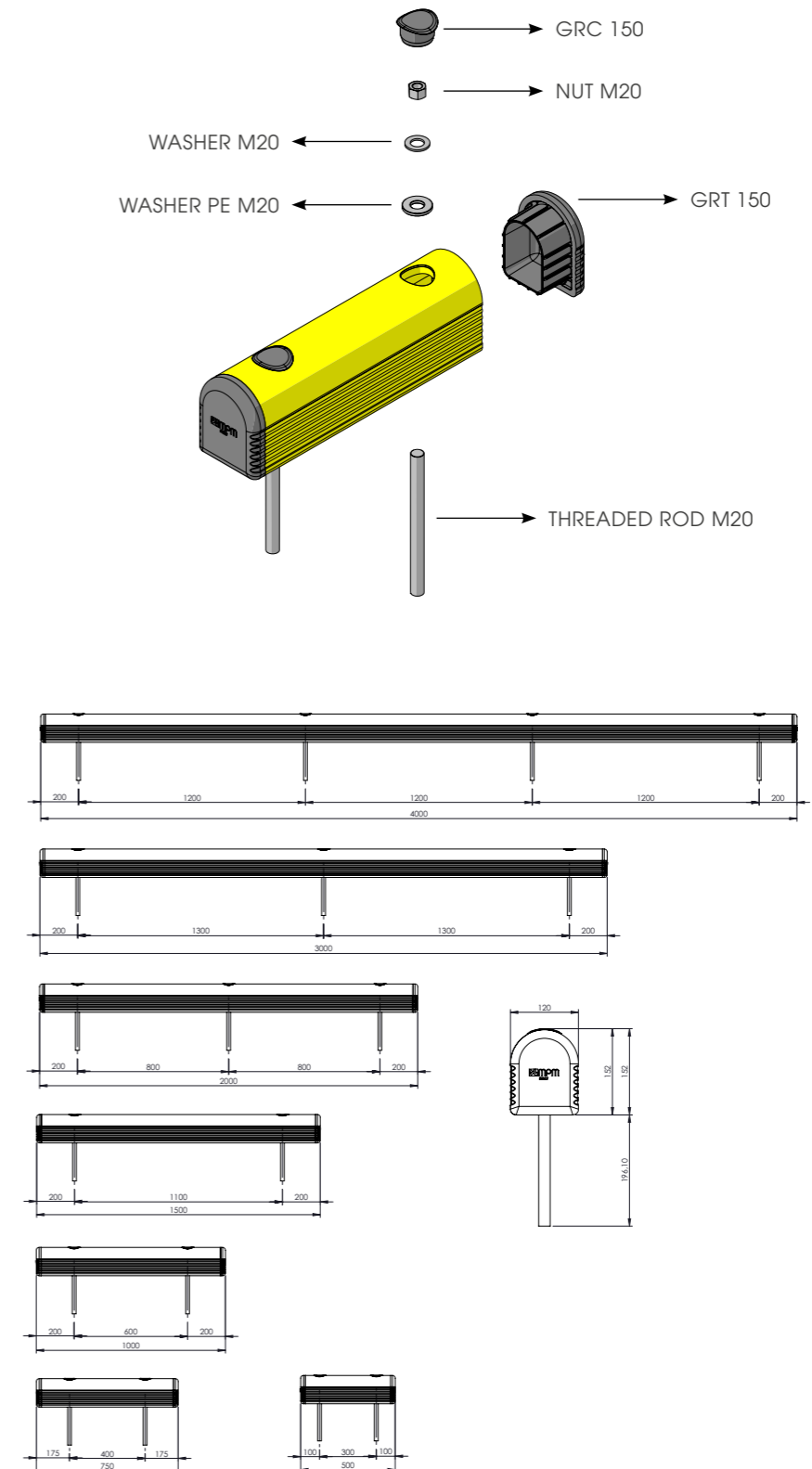


# GRD 90/150

ISTRUZIONI DI INSTALLAZIONE  
ASSEMBLY INSTRUCTIONS



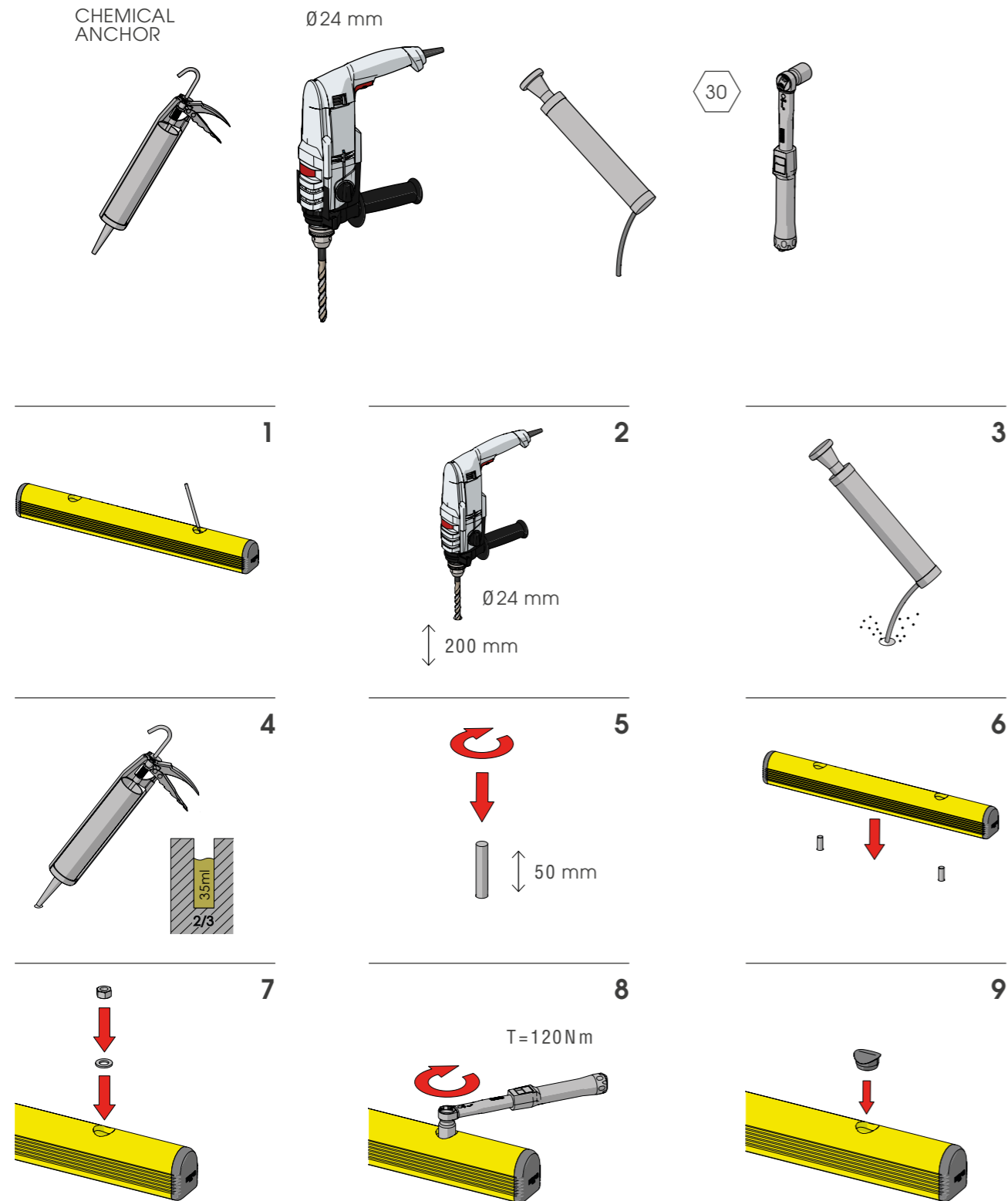
# TRUCK LINE



# TRUCK LINE

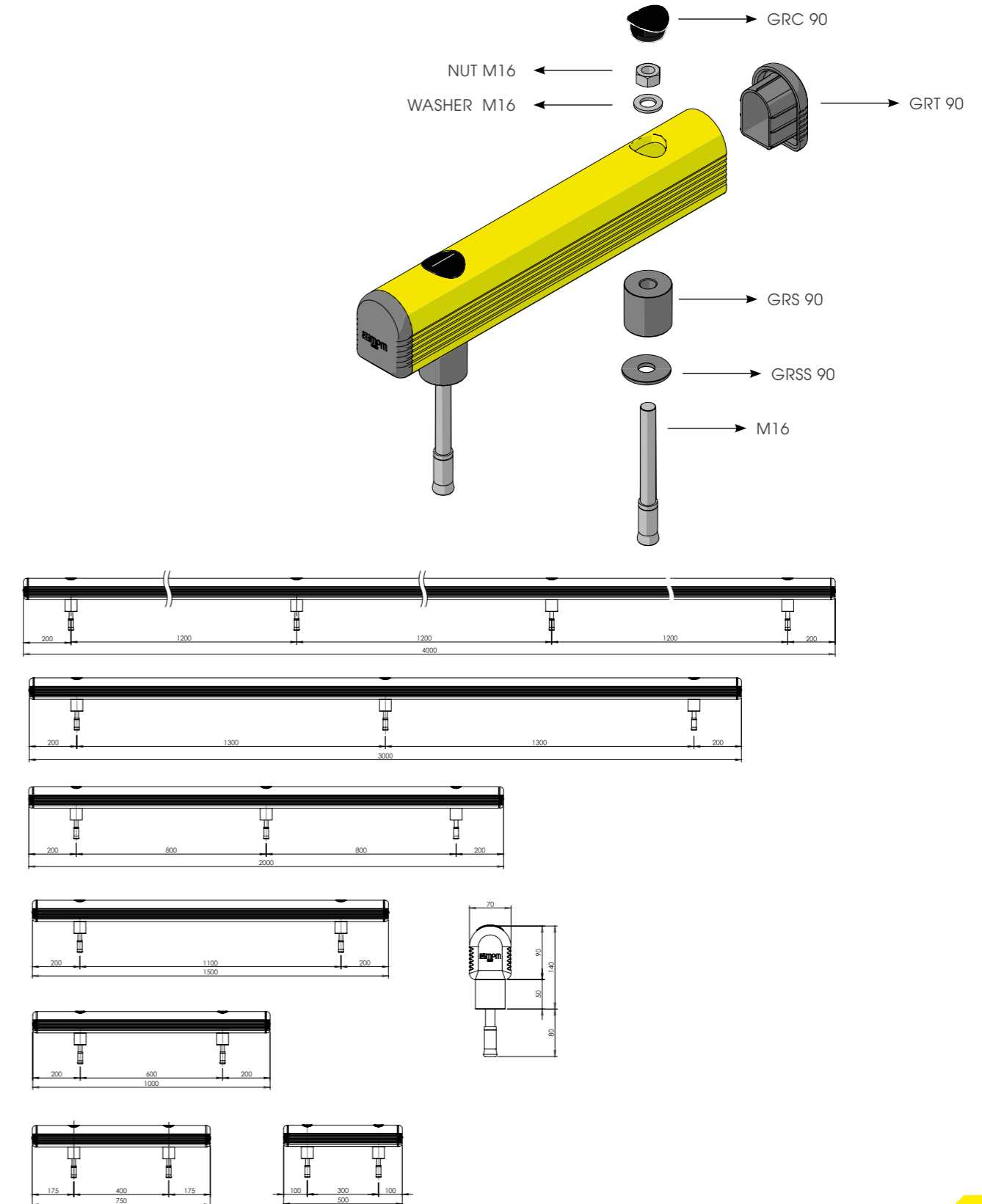
ISTRUZIONI DI INSTALLAZIONE  
ASSEMBLY INSTRUCTIONS

WARNING  
The distance of installation depends  
on speed and weight of vehicle



# GR 90

BARRIERA SINGOLA  
SINGLE-RAIL BARRIER



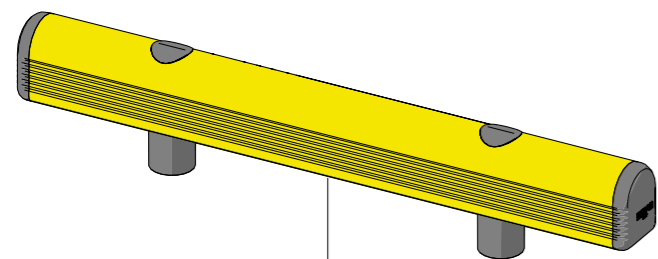
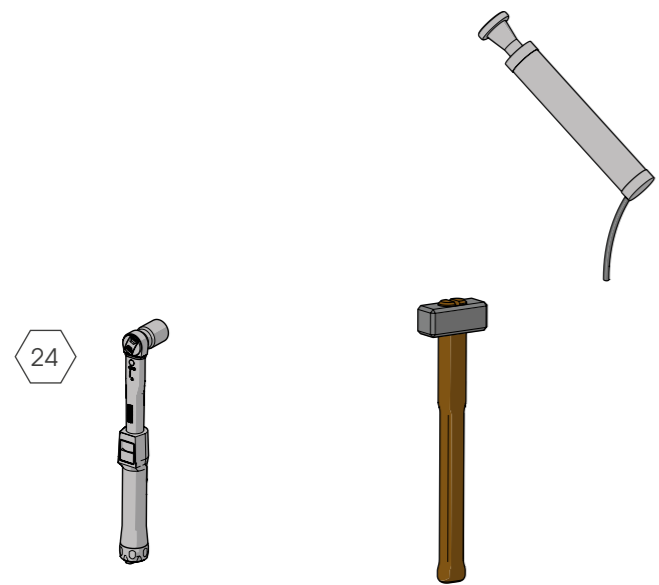
# GR 90

ISTRUZIONI DI INSTALLAZIONE  
ASSEMBLY INSTRUCTIONS

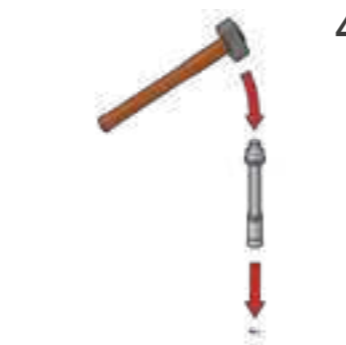
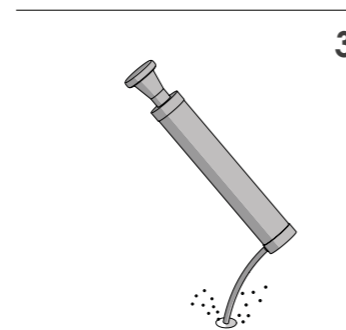
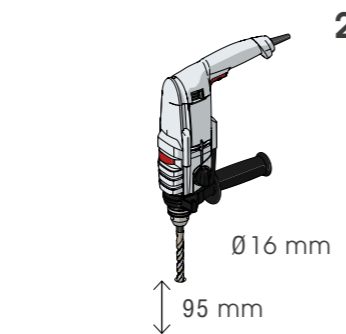
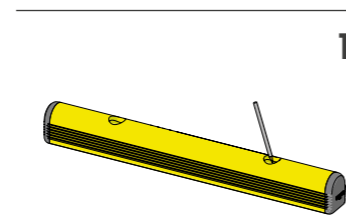
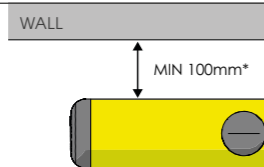
M16 GALVANISED STEEL

WITH EXPANSION SCREW

Ø16 mm



**WARNING**  
The distance of installation depends on speed and weight of vehicle

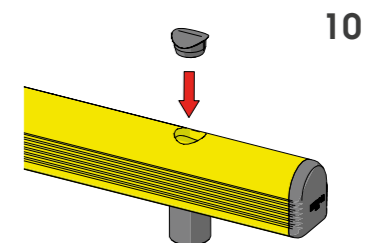
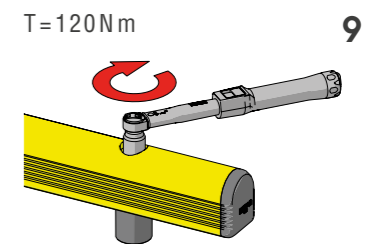
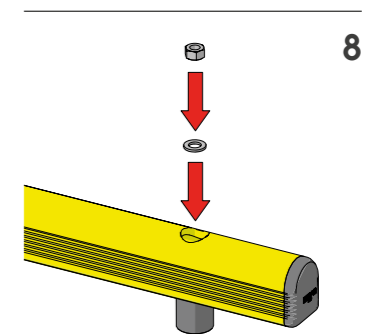
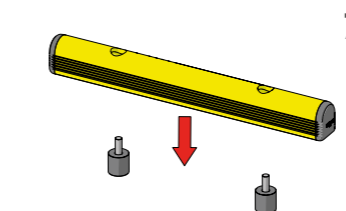
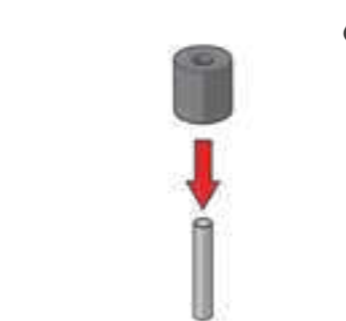
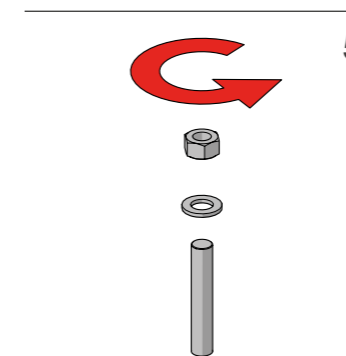


# GR 90

ISTRUZIONI DI INSTALLAZIONE  
ASSEMBLY INSTRUCTIONS

M16 GALVANISED STEEL

WITH EXPANSION SCREW





# GR 90

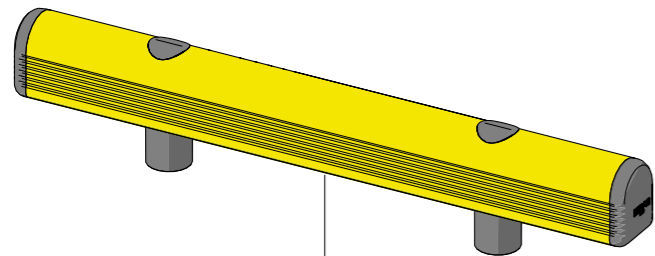
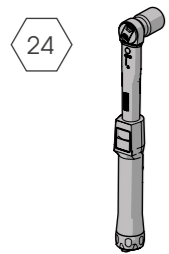
ISTRUZIONI DI INSTALLAZIONE  
ASSEMBLY INSTRUCTIONS

M16 STAINLESS STEEL ANCHOR

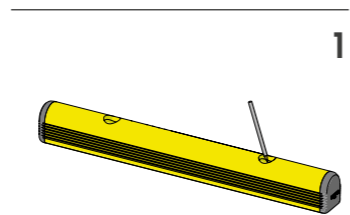
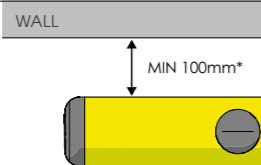
WITH RESIN

CHEMICAL ANCHOR

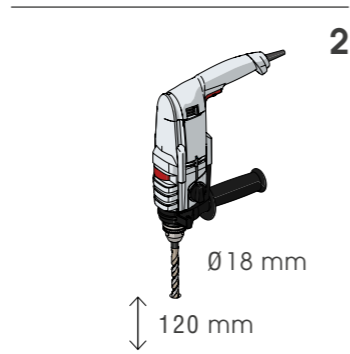
Ø18 mm



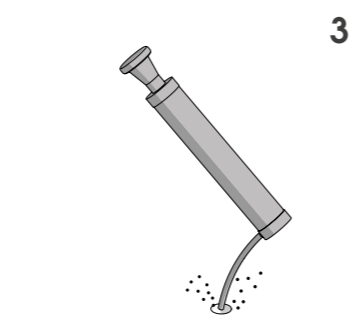
**WARNING**  
The distance of installation depends on speed and weight of vehicle



1



2



3



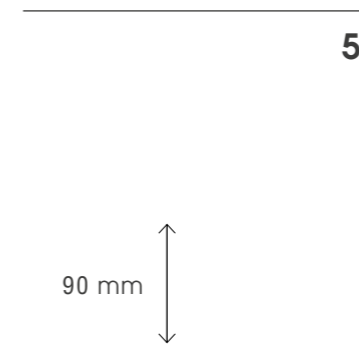
4

# GR 90

ISTRUZIONI DI INSTALLAZIONE  
ASSEMBLY INSTRUCTIONS

M16 STAINLESS STEEL ANCHOR

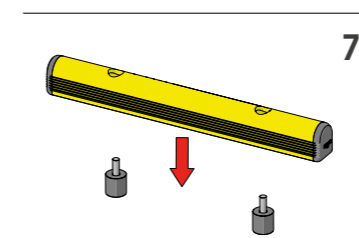
WITH RESIN



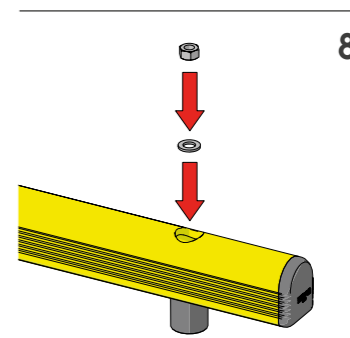
5



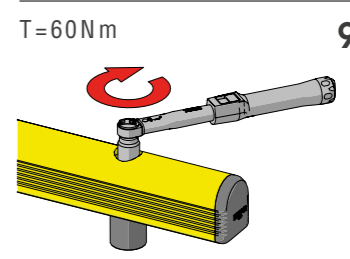
6



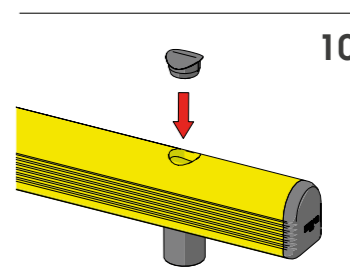
7



8



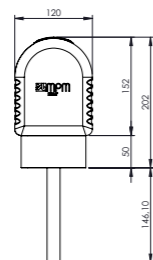
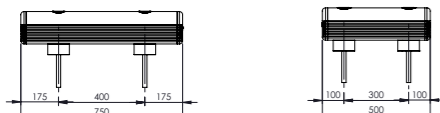
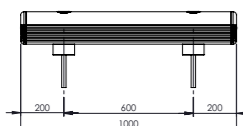
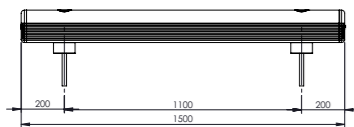
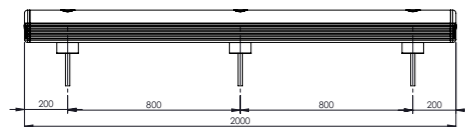
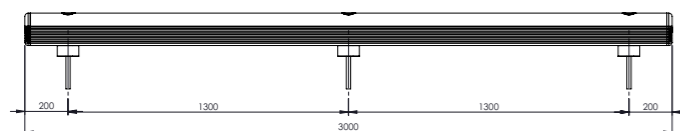
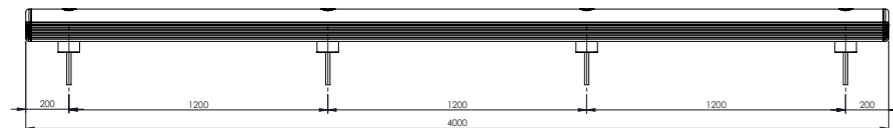
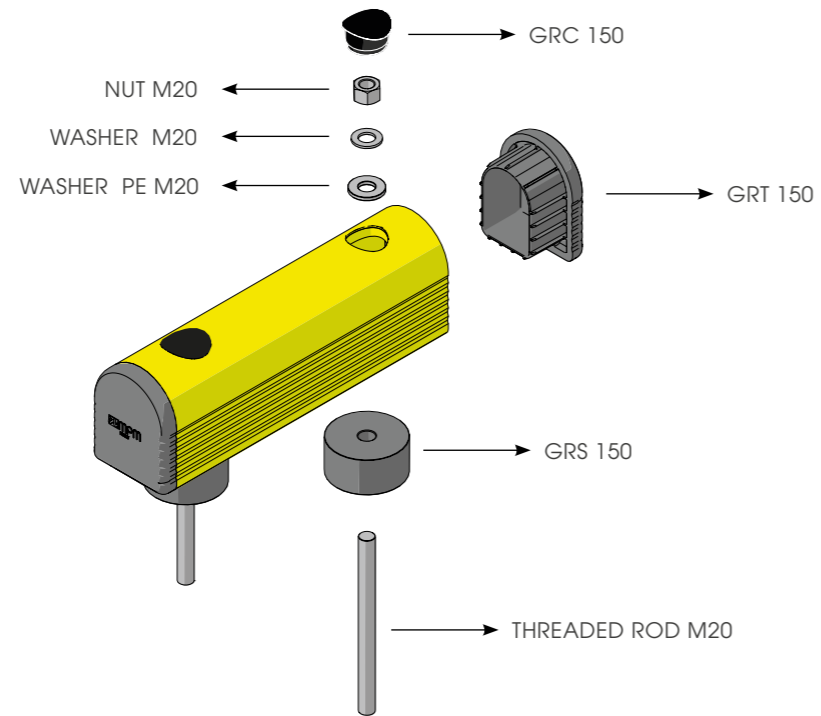
9



10

# GR 150

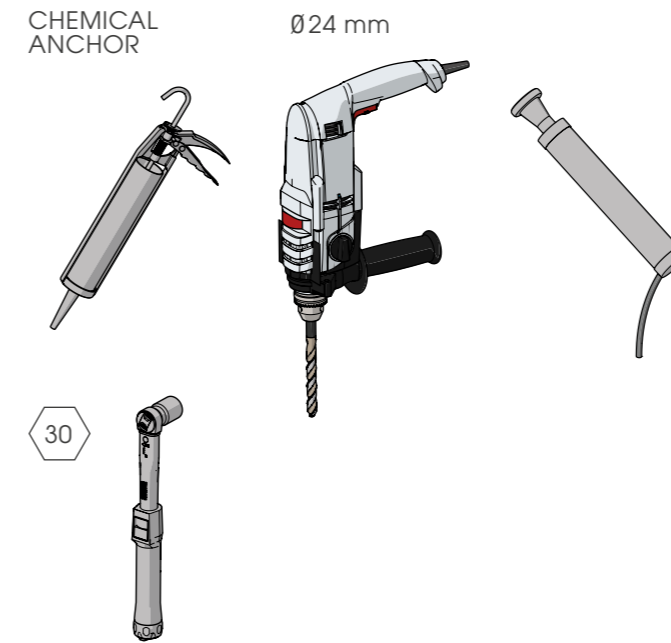
BARRIERA SINGOLA  
SINGLE-RAIL BARRIER



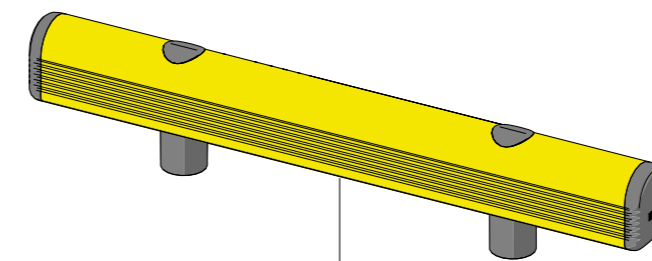
# GR 150

ISTRUZIONI DI INSTALLAZIONE  
ASSEMBLY INSTRUCTIONS

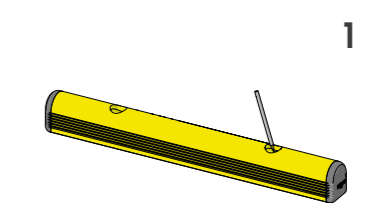
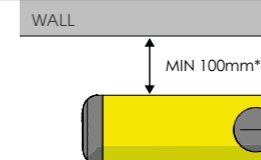
ONLY WITH RESIN



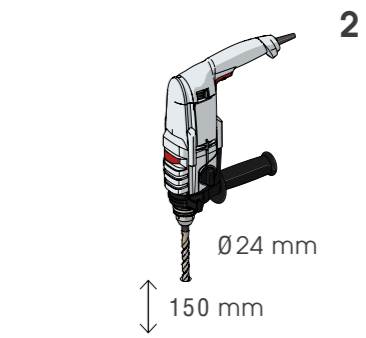
30



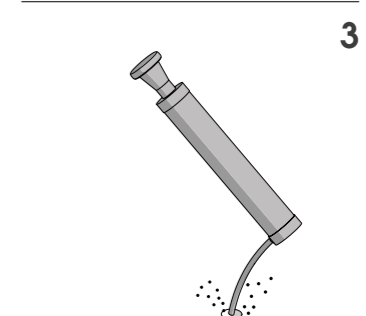
**WARNING**  
The distance of installation depends on speed and weight of vehicle



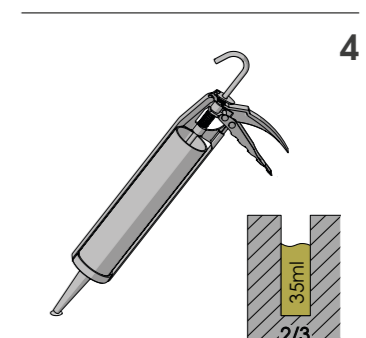
1



2



3

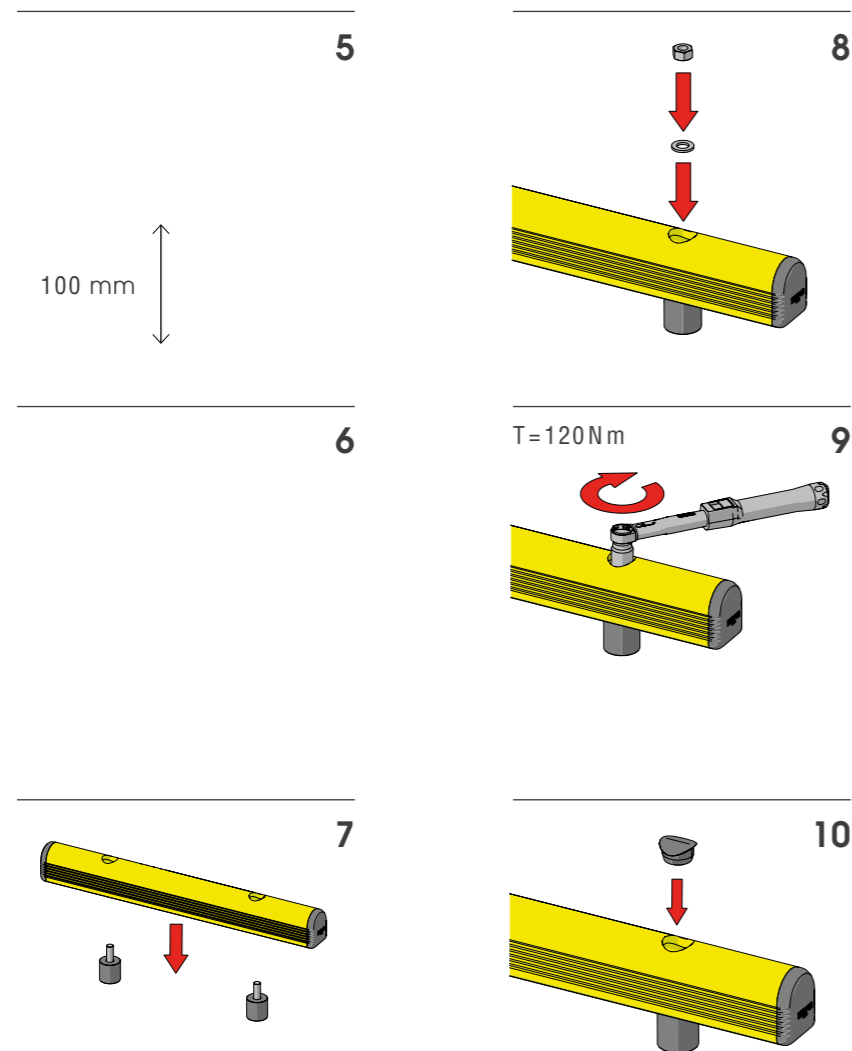


4

# GR 150

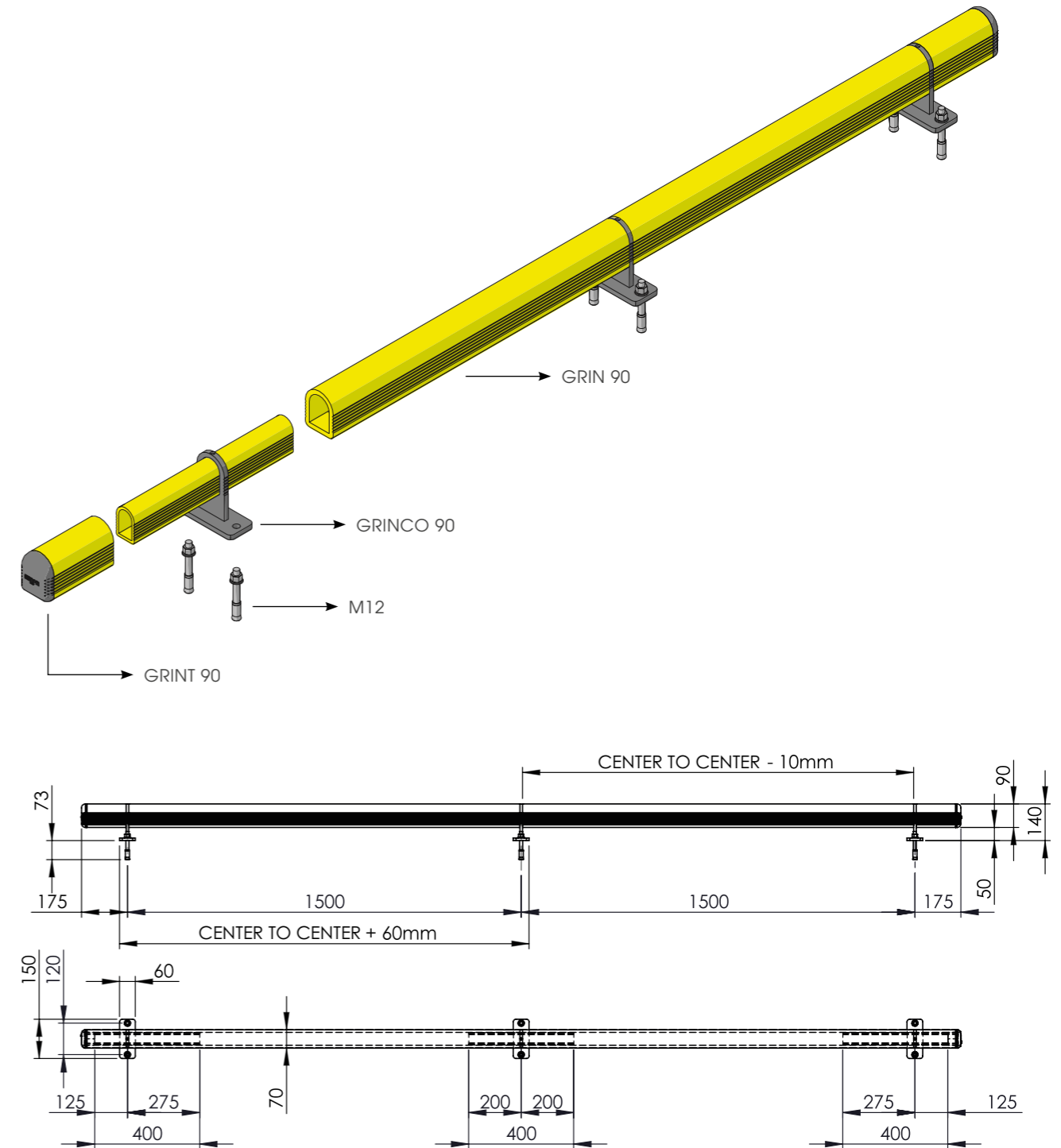
ISTRUZIONI DI INSTALLAZIONE  
ASSEMBLY INSTRUCTIONS

ONLY WITH RESIN



# GRIN 90

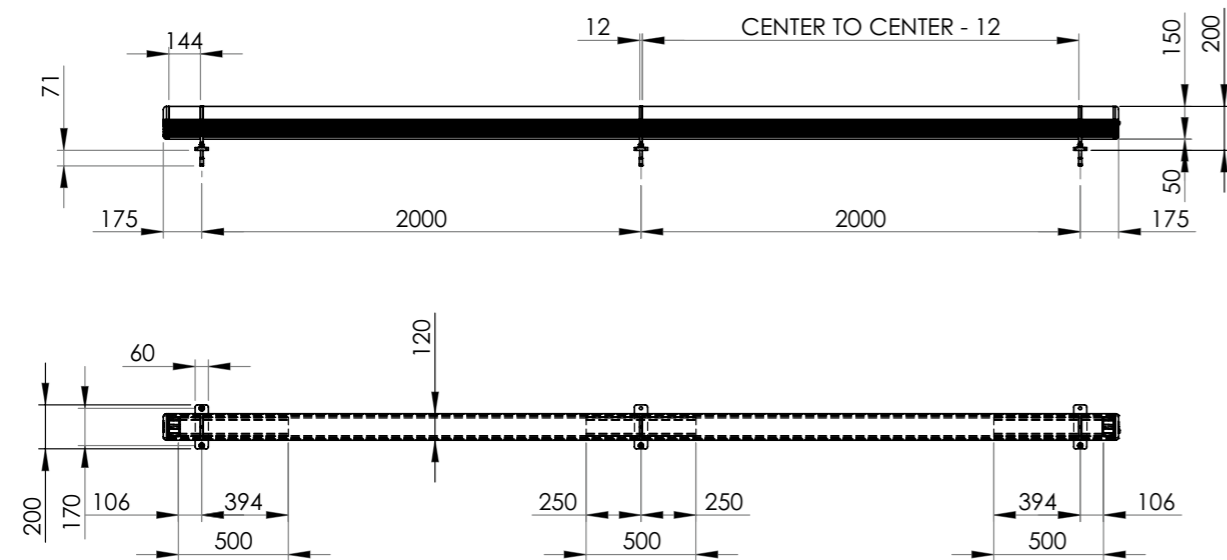
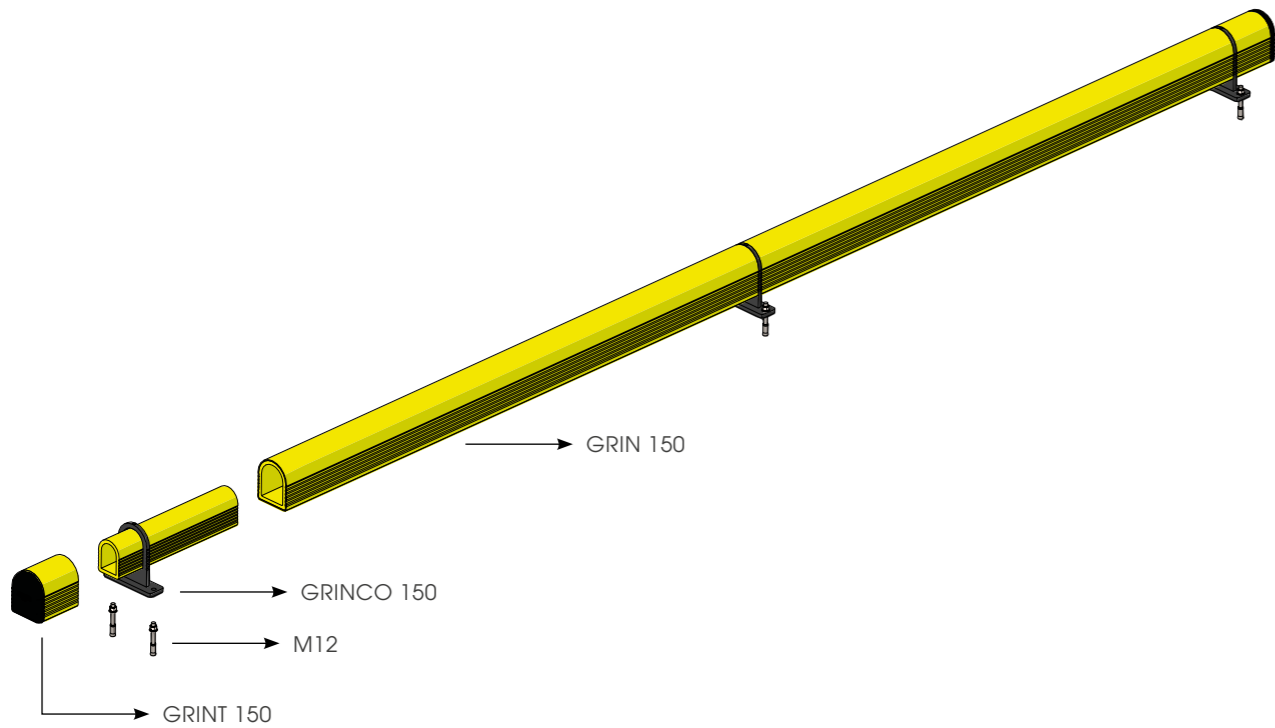
GUARD RAIL CONTINUO  
CONTINUOUS GUARD RAIL



# GRIN 150

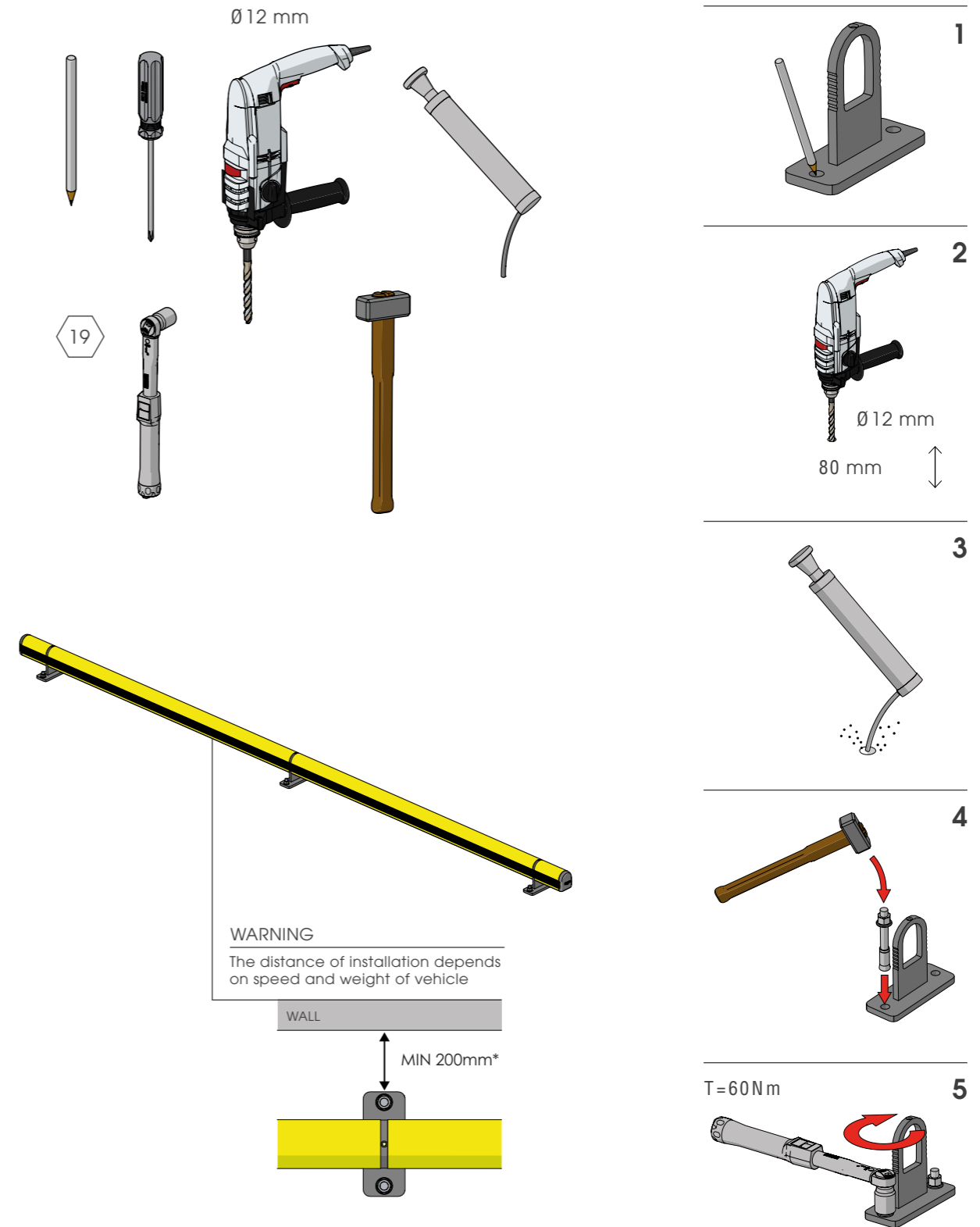
GUARD RAIL CONTINUO  
CONTINUOUS GUARD RAIL

IMPACT TEST PASSED  
according to  
AFNORNP P98-310



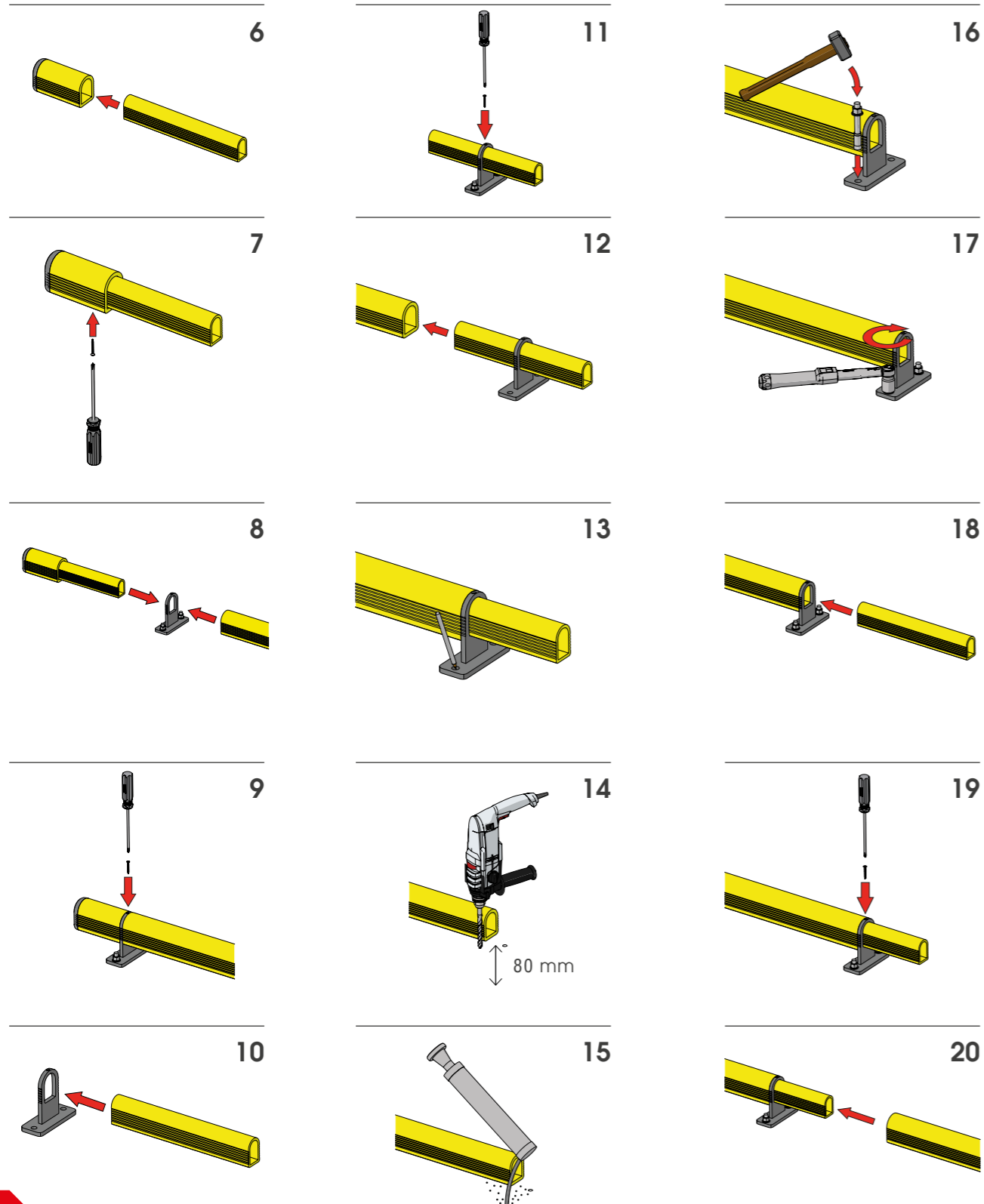
# GRIN 90/150

ISTRUZIONI DI INSTALLAZIONE  
ASSEMBLY INSTRUCTIONS



# GRIN 90/150

ISTRUZIONI DI INSTALLAZIONE  
ASSEMBLY INSTRUCTIONS



# ROD PE 70

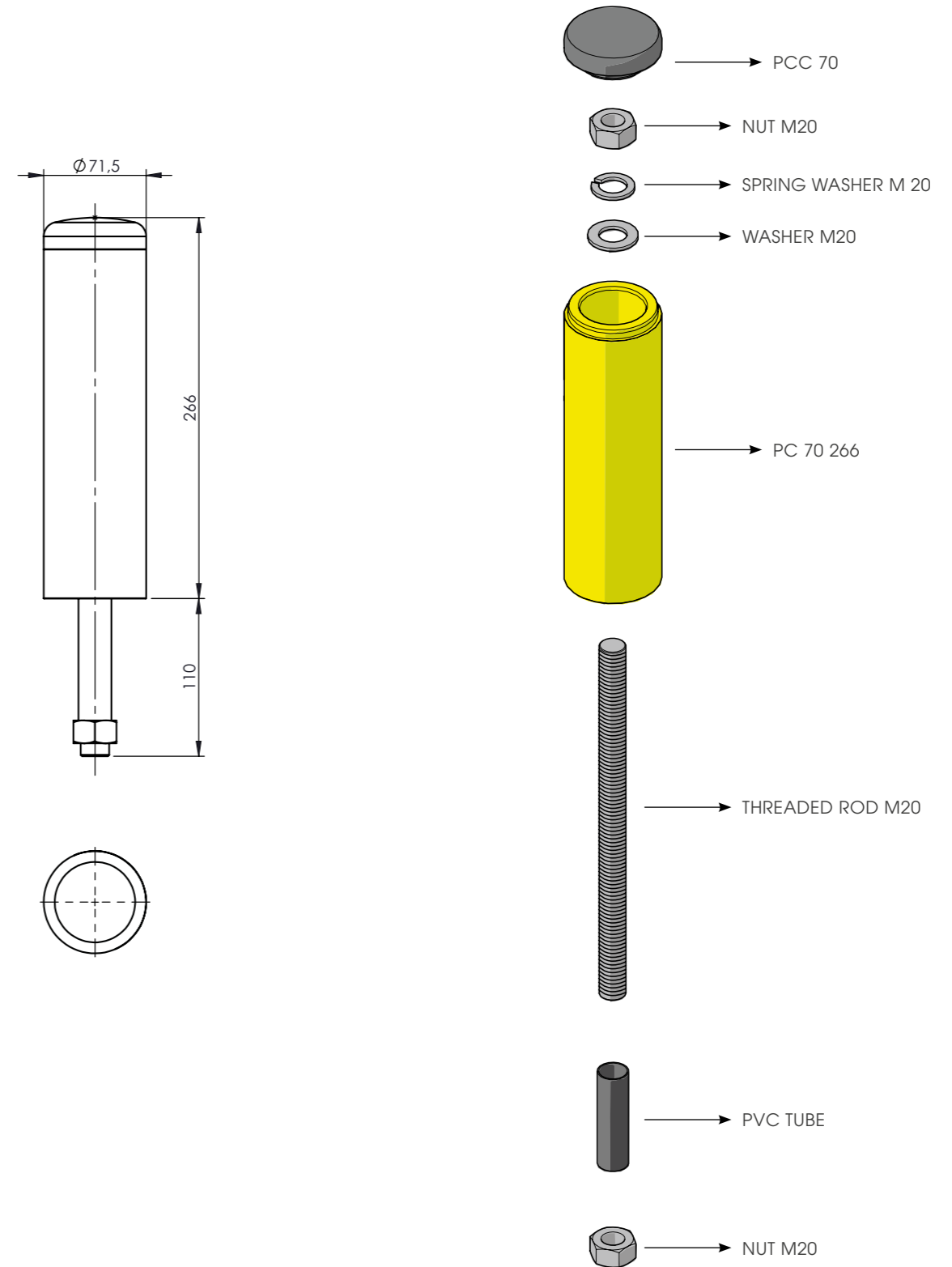
PALO PROTEZIONE  
BOLLARD



RESISTANT TO  
LOW TEMPERATURES

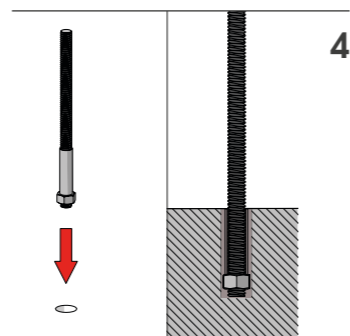
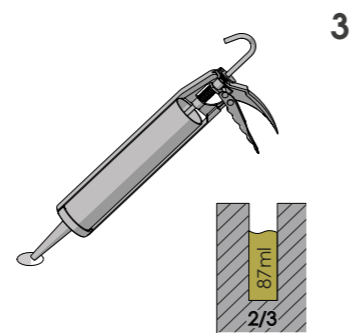
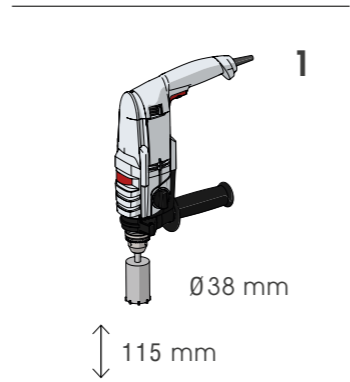
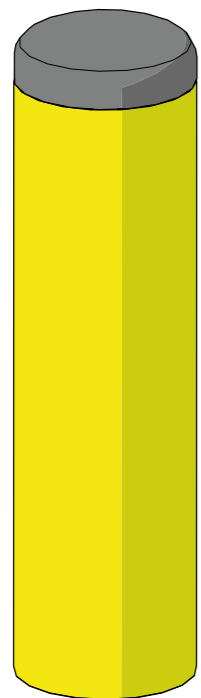
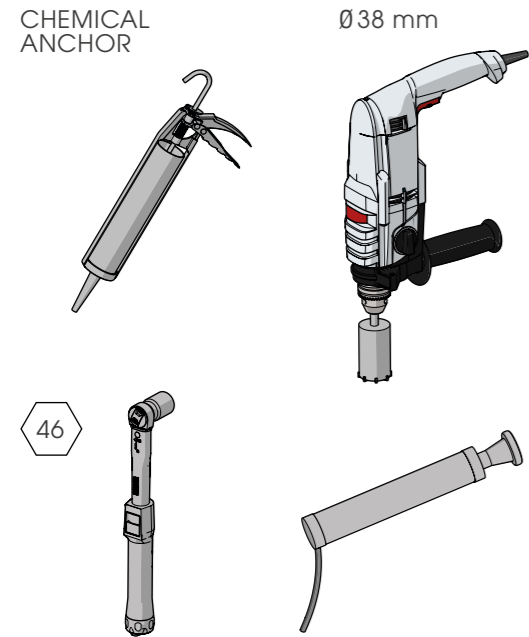
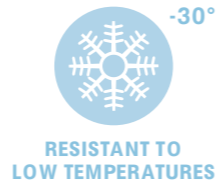


LIGHT LOAD /  
FOR HANDPALLET  
TRUCKS



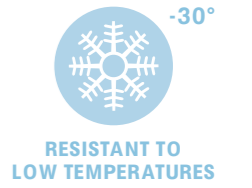
# ROD PE 70

ISTRUZIONI DI INSTALLAZIONE  
ASSEMBLY INSTRUCTIONS

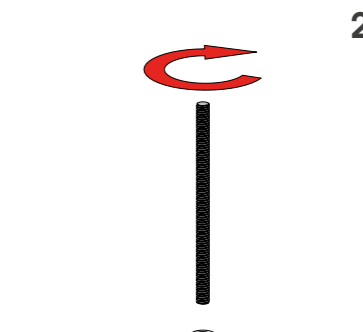
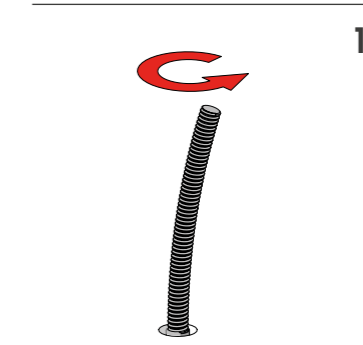
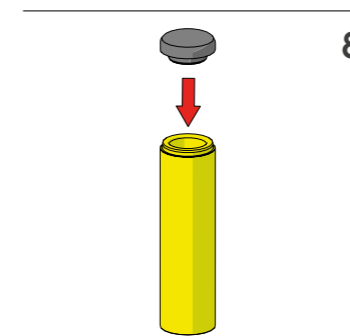
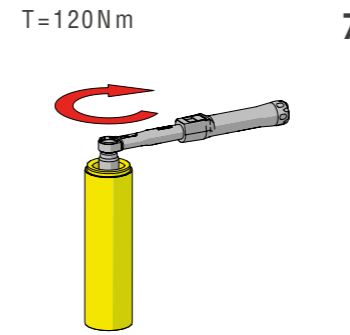
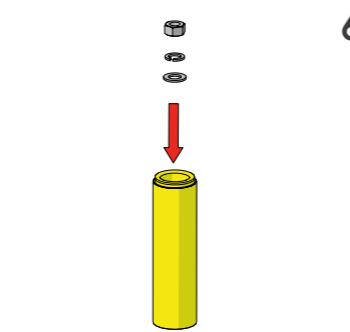
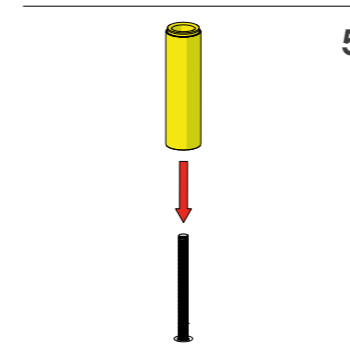


# ROD PE 70

ISTRUZIONI DI INSTALLAZIONE  
ASSEMBLY INSTRUCTIONS

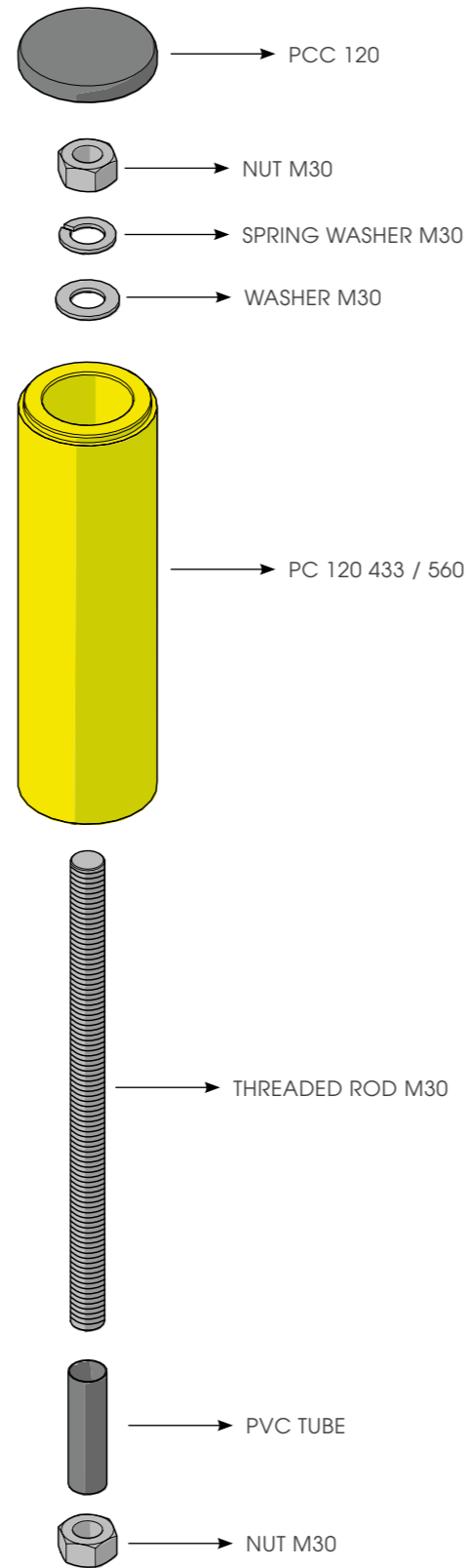
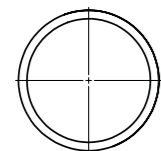
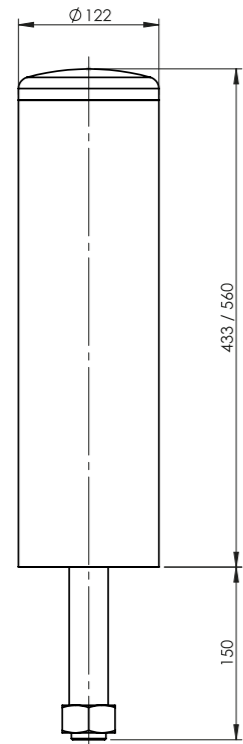
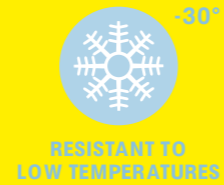


ROD REPLACEMENT



# ROD PE 120

PALO PROTEZIONE  
BOLLARD



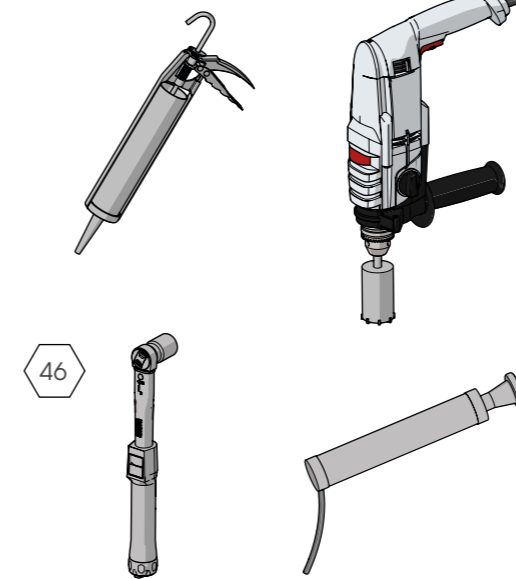
# ROD PE 120

ISTRUZIONI DI INSTALLAZIONE  
ASSEMBLY INSTRUCTIONS

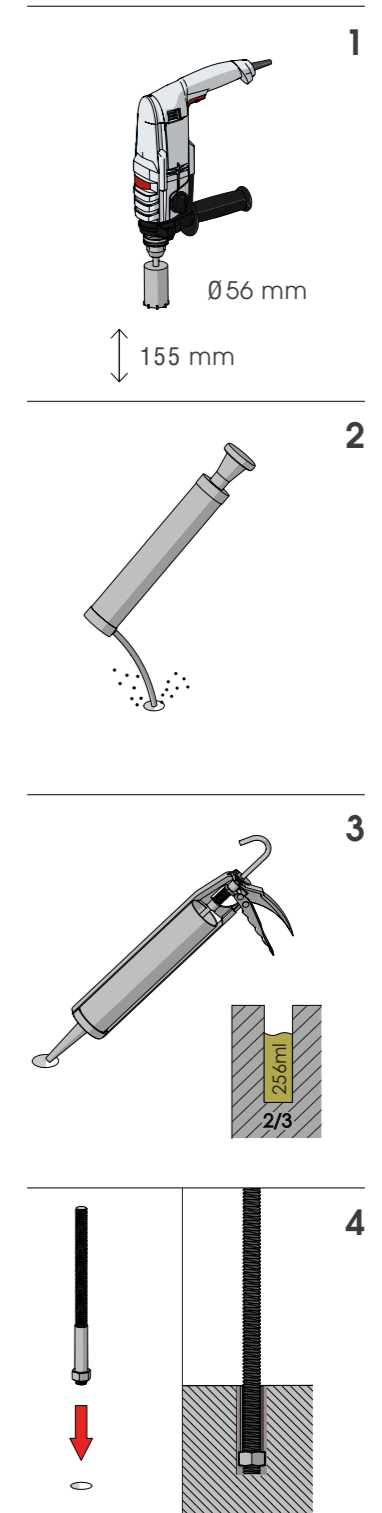
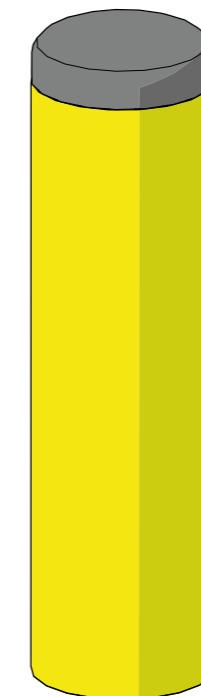


CHEMICAL  
ANCHOR

Ø56 mm

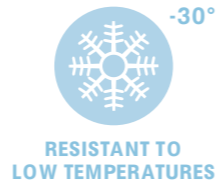


46

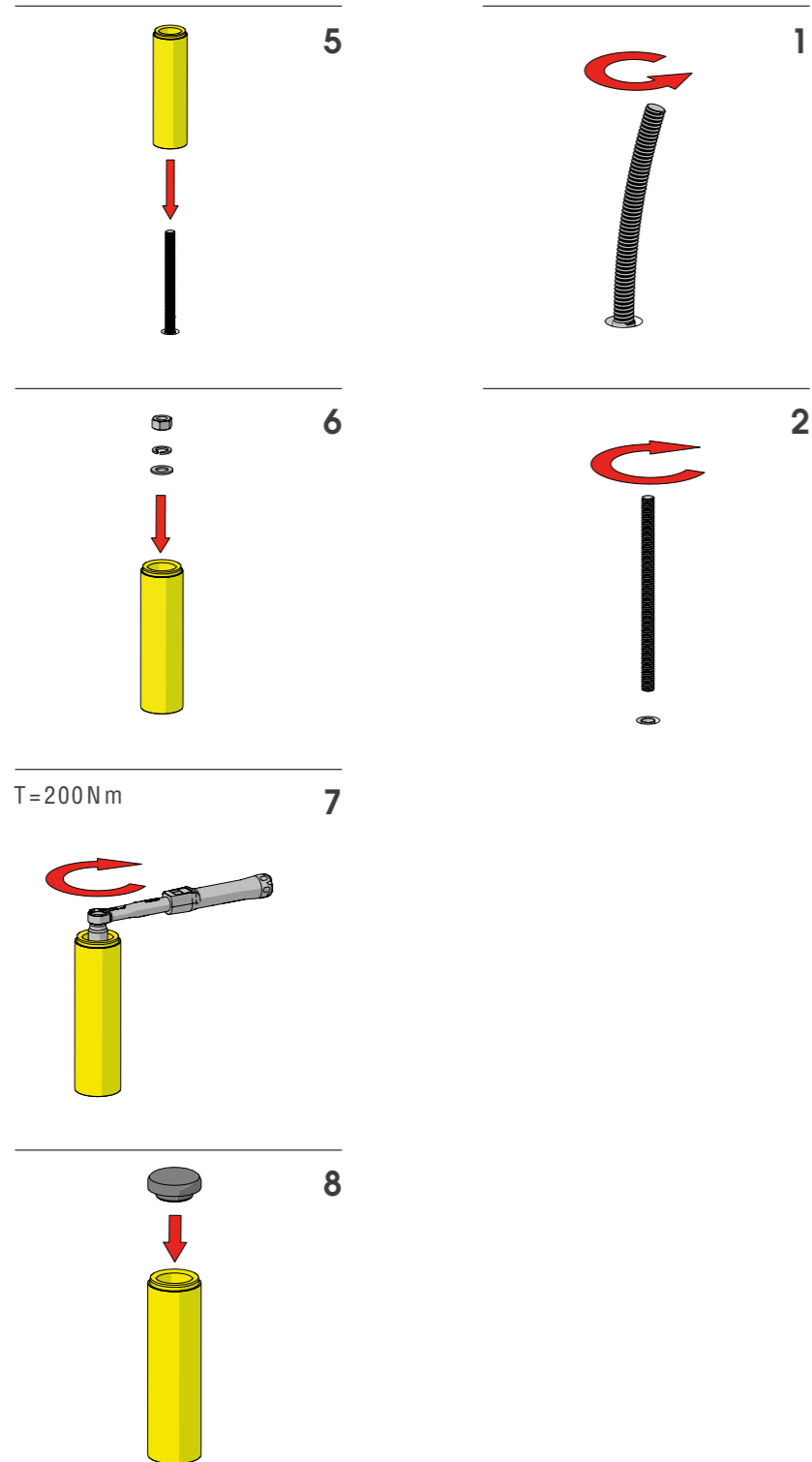


# ROD PE 120

ISTRUZIONI DI INSTALLAZIONE  
ASSEMBLY INSTRUCTIONS

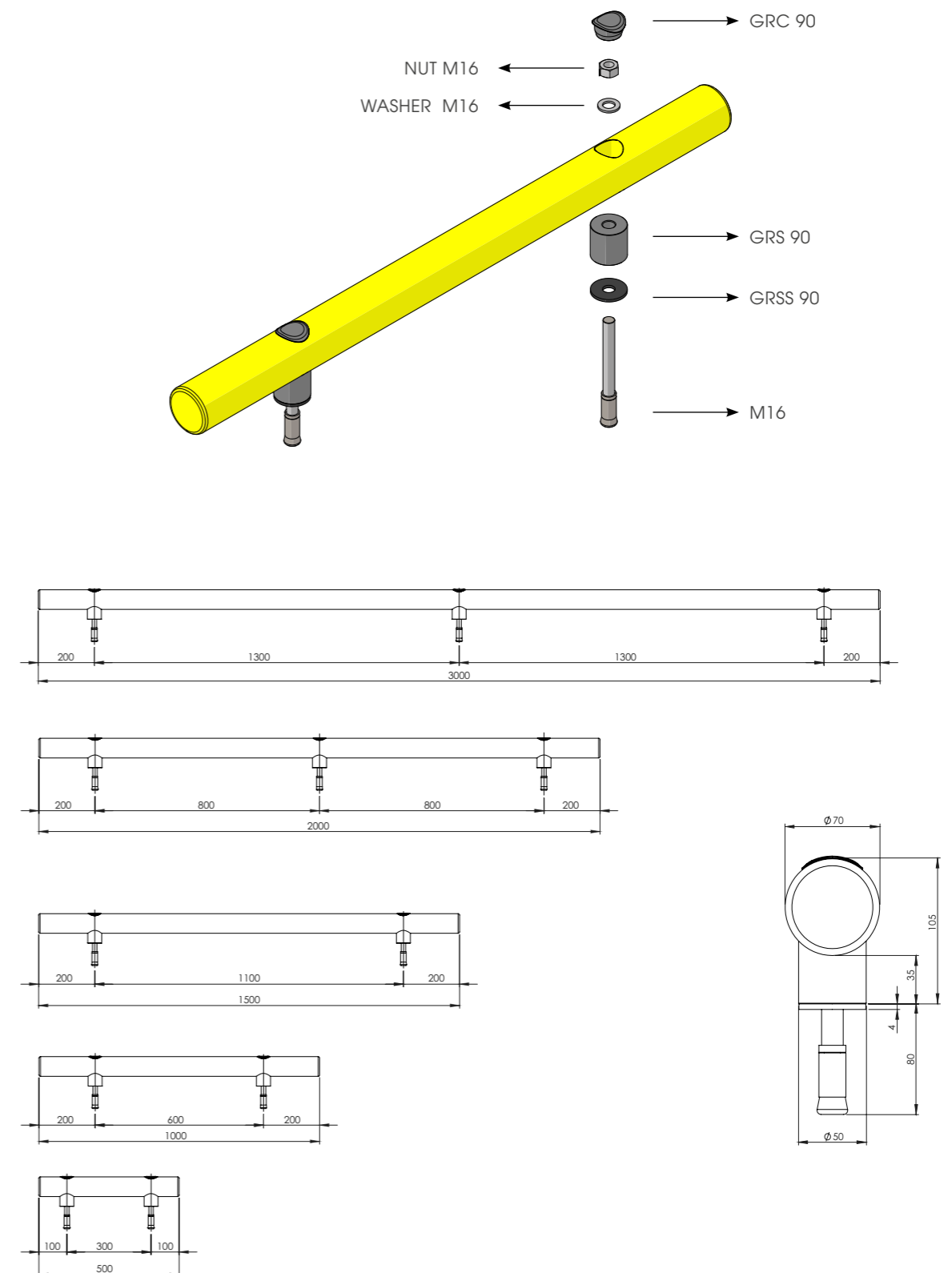


ROD REPLACEMENT



# ROD FLOOR 70

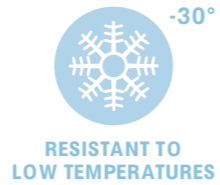
BARRIERA SINGOLA  
SINGLE-RAIL BARRIER





# ROD FLOOR 70

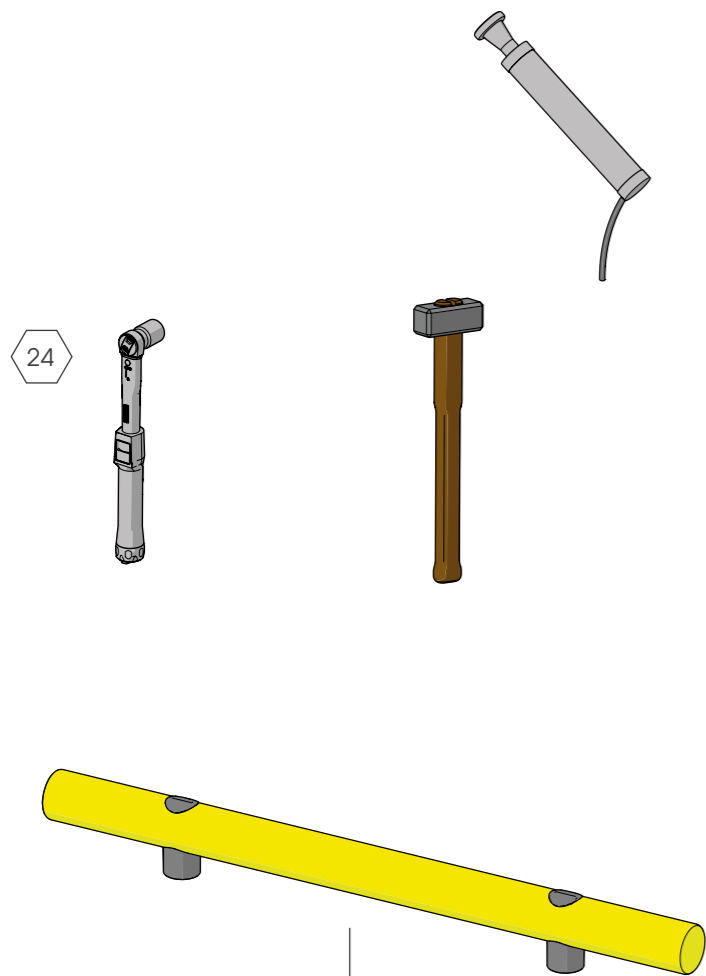
ISTRUZIONI DI INSTALLAZIONE  
ASSEMBLY INSTRUCTIONS



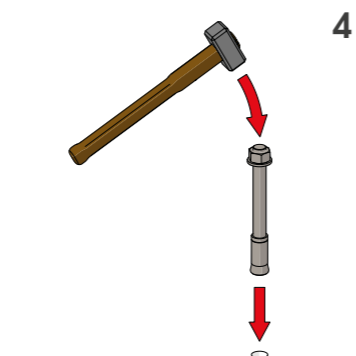
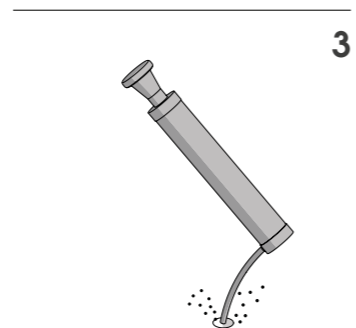
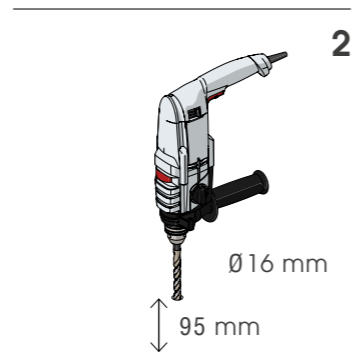
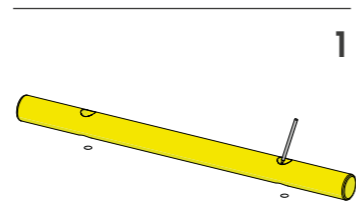
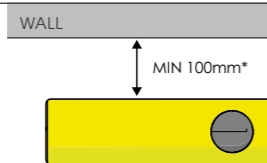
M16 GALVANISED STEEL

WITH EXPANSION SCREW

Ø16 mm

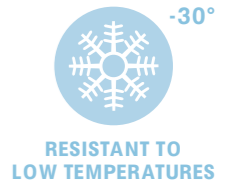


**WARNING**  
The distance of installation depends on speed and weight of vehicle



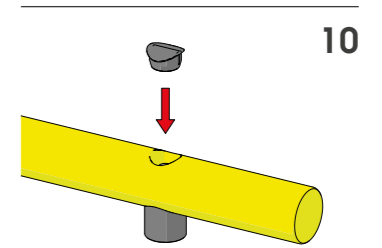
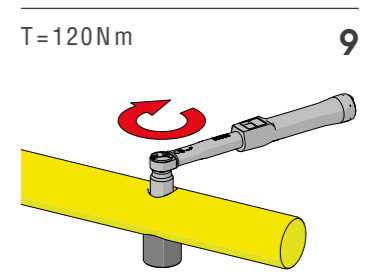
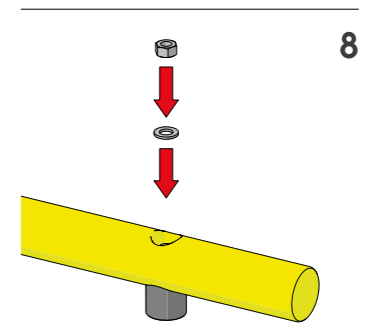
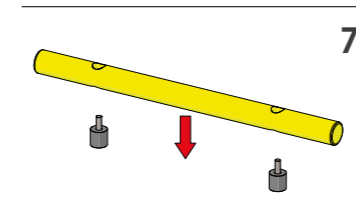
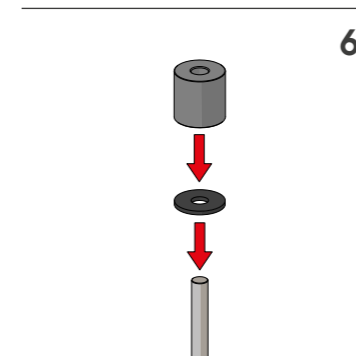
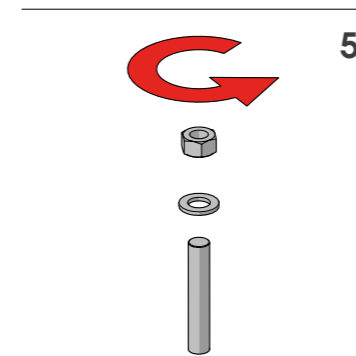
# ROD FLOOR 70

ISTRUZIONI DI INSTALLAZIONE  
ASSEMBLY INSTRUCTIONS



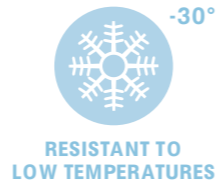
M16 GALVANISED STEEL

WITH EXPANSION SCREW



# ROD FLOOR 70

ISTRUZIONI DI INSTALLAZIONE  
ASSEMBLY INSTRUCTIONS

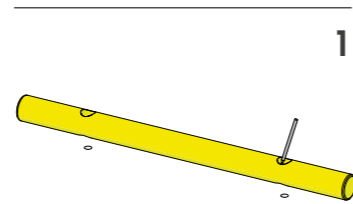
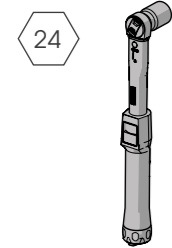


M16 STAINLESS STEEL ANCHOR

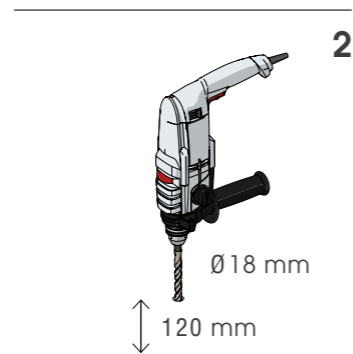
WITH RESIN

CHEMICAL ANCHOR

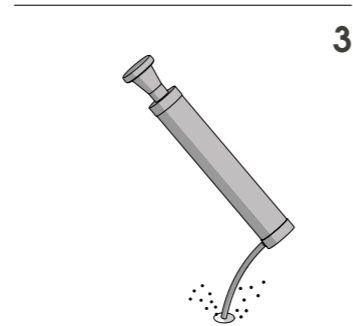
Ø18 mm



1



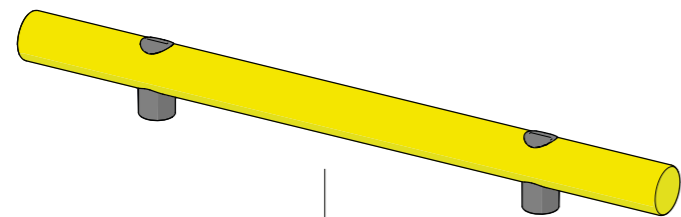
2



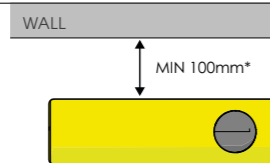
3



4

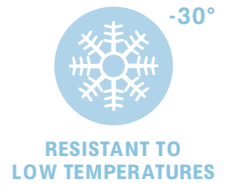


**WARNING**  
The distance of installation depends on speed and weight of vehicle



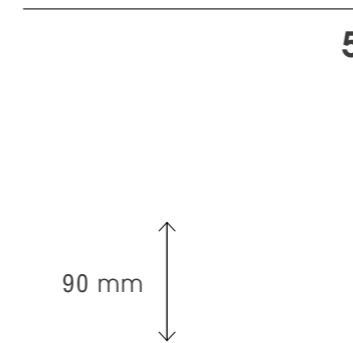
# ROD FLOOR 70

ISTRUZIONI DI INSTALLAZIONE  
ASSEMBLY INSTRUCTIONS

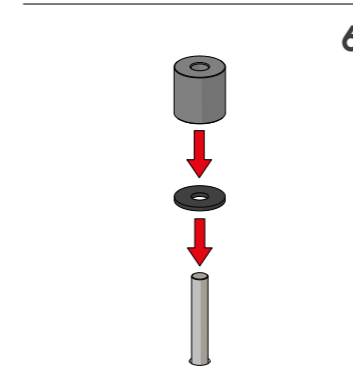


M16 STAINLESS STEEL ANCHOR

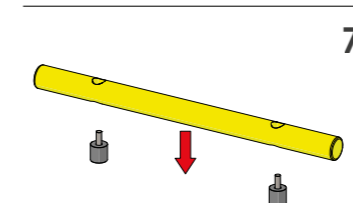
WITH RESIN



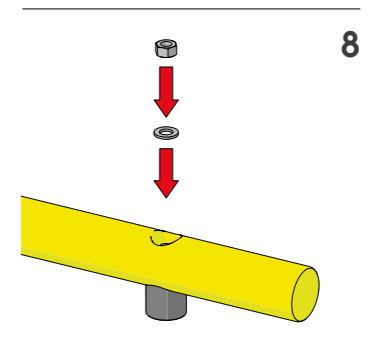
5



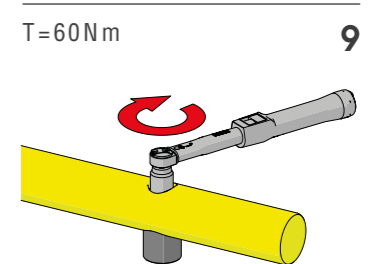
6



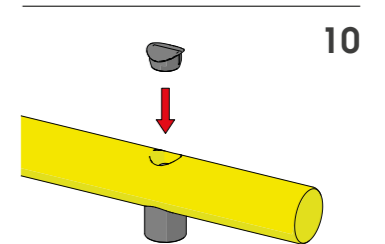
7



8



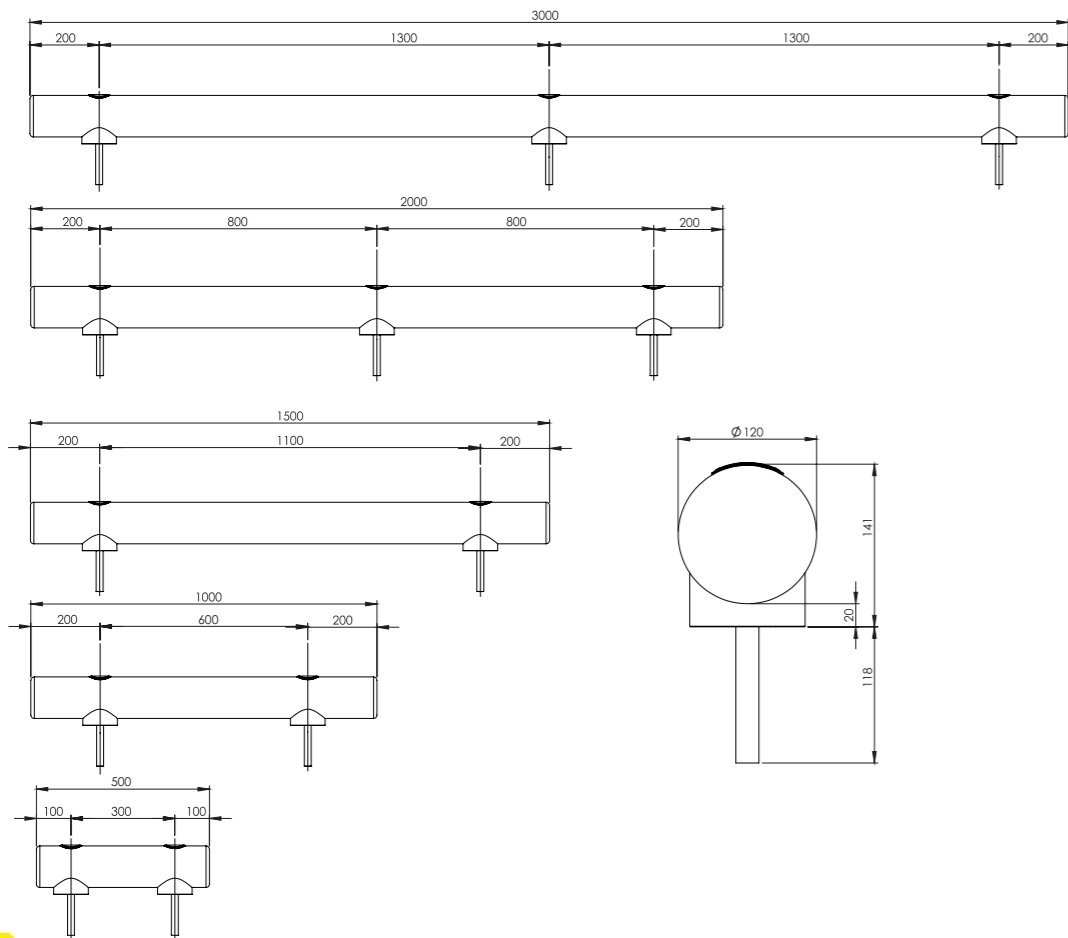
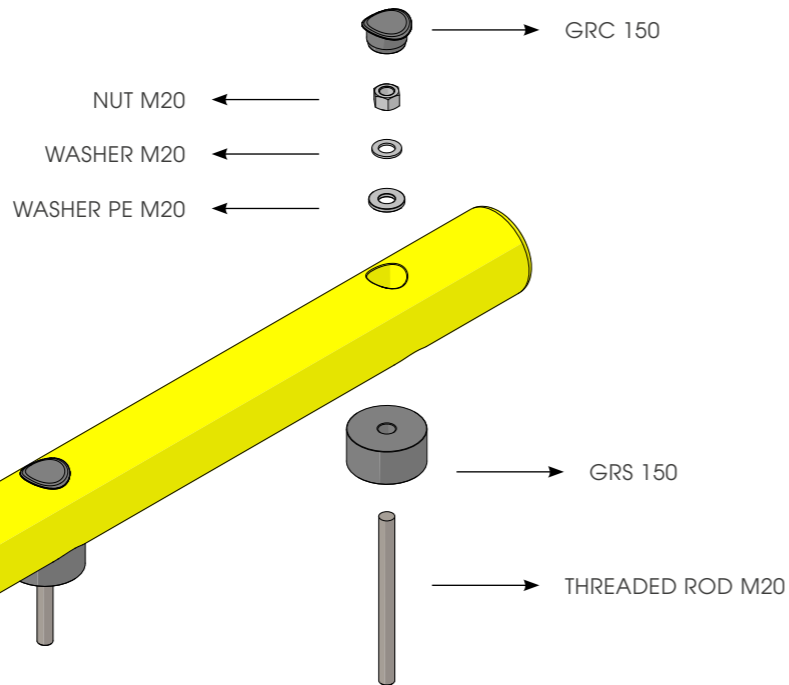
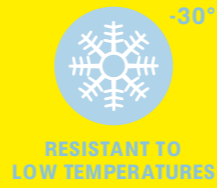
9



10

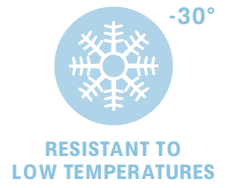
# ROD FLOOR 120

BARRIERA SINGOLA  
SINGLE-RAIL BARRIER

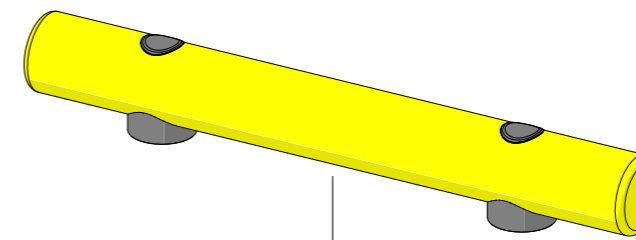
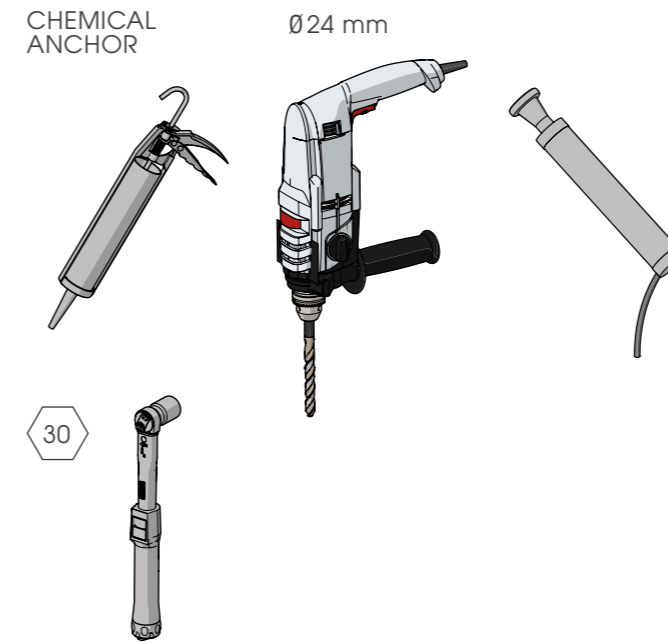


# ROD FLOOR 120

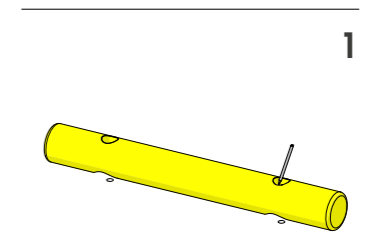
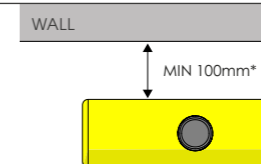
ISTRUZIONI DI INSTALLAZIONE  
ASSEMBLY INSTRUCTIONS



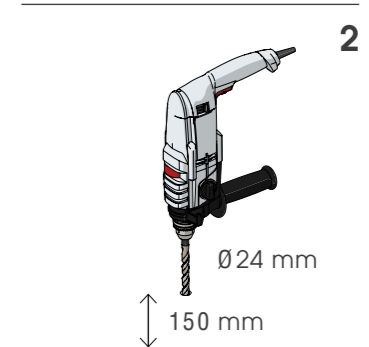
ONLY WITH RESIN



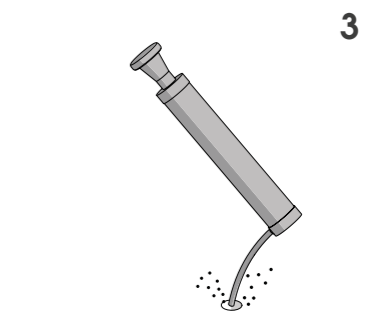
**WARNING**  
The distance of installation depends on speed and weight of vehicle



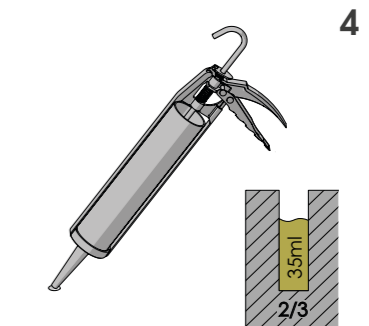
1



2



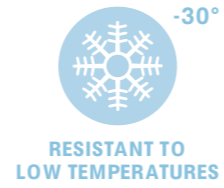
3



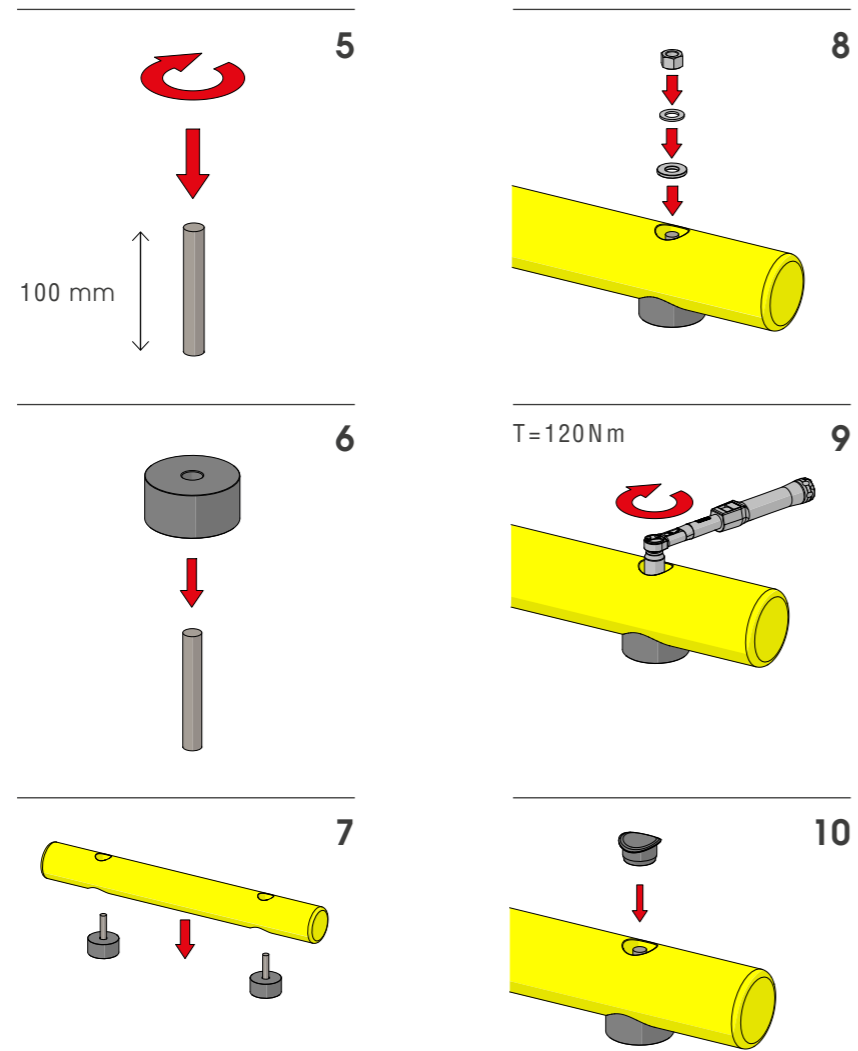
4

# ROD FLOOR 120

ISTRUZIONI DI INSTALLAZIONE  
ASSEMBLY INSTRUCTIONS

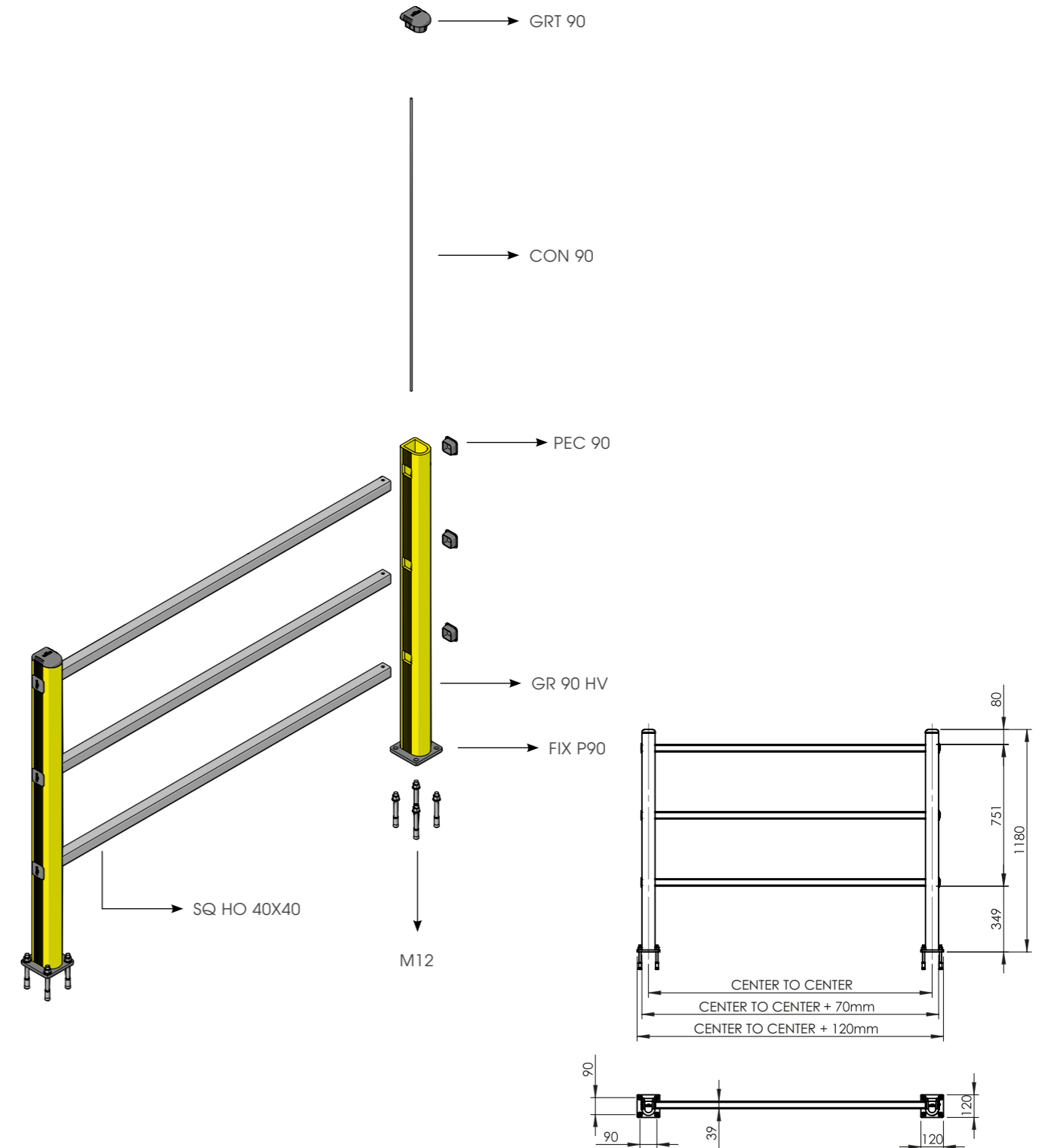


ONLY WITH RESIN



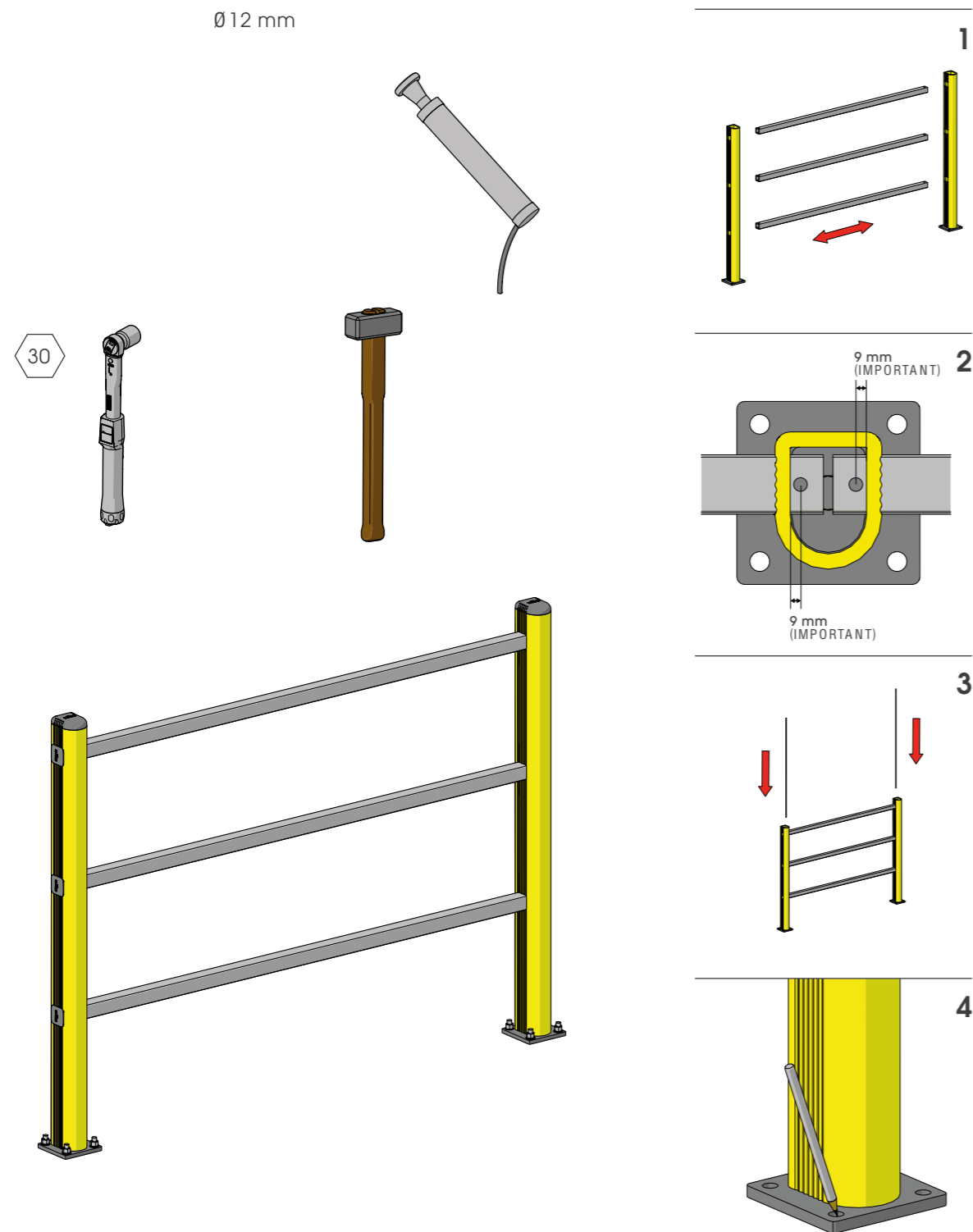
# HR 90

BARRIERA PEDONALE  
HAND RAIL BARRIER



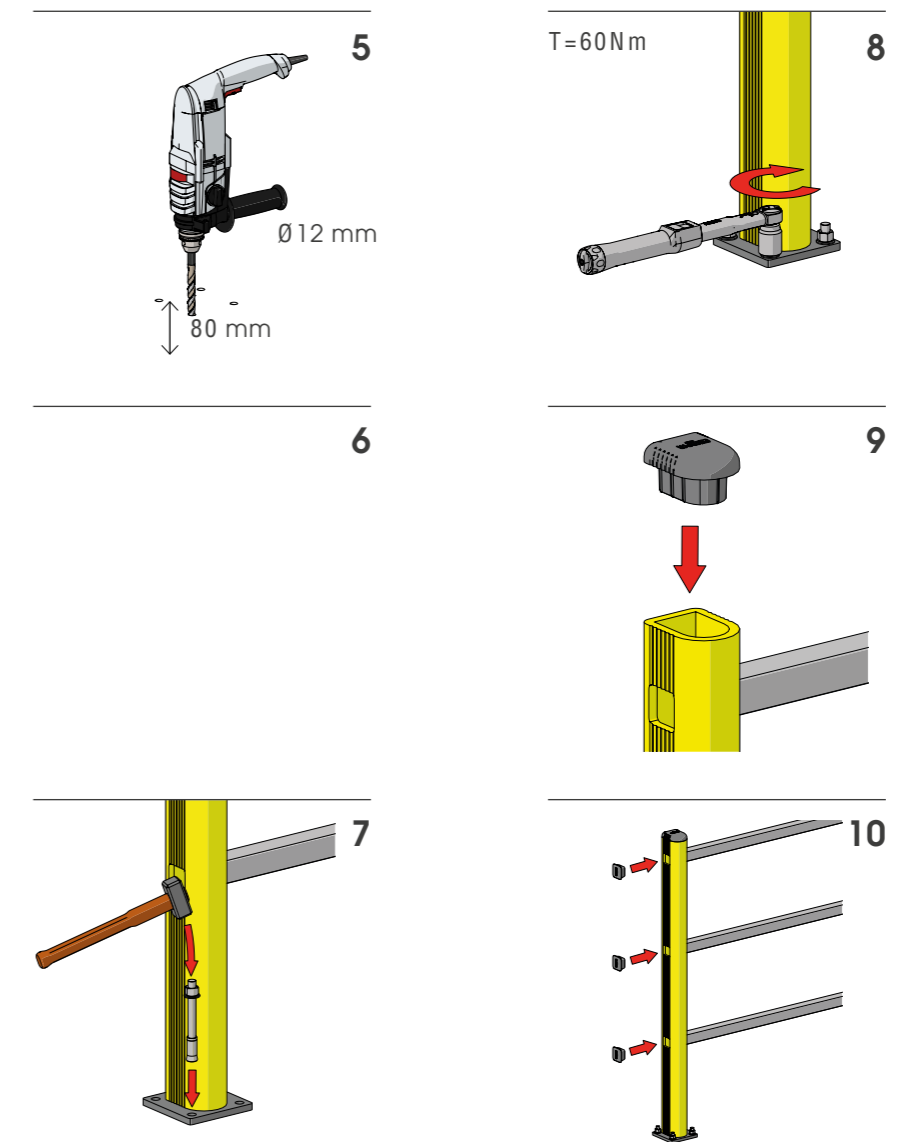
# HR 90

ISTRUZIONI DI INSTALLAZIONE  
ASSEMBLY INSTRUCTIONS



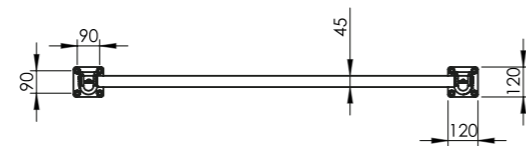
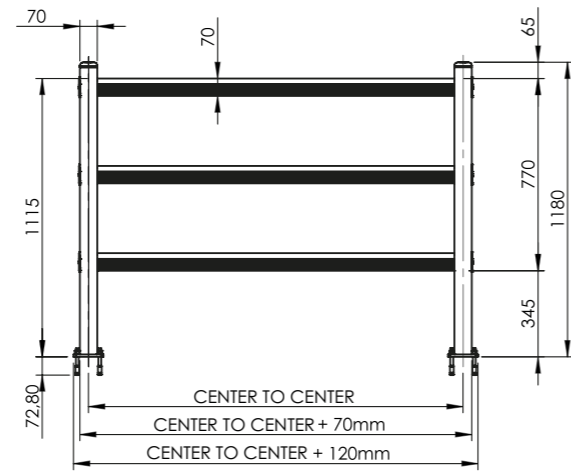
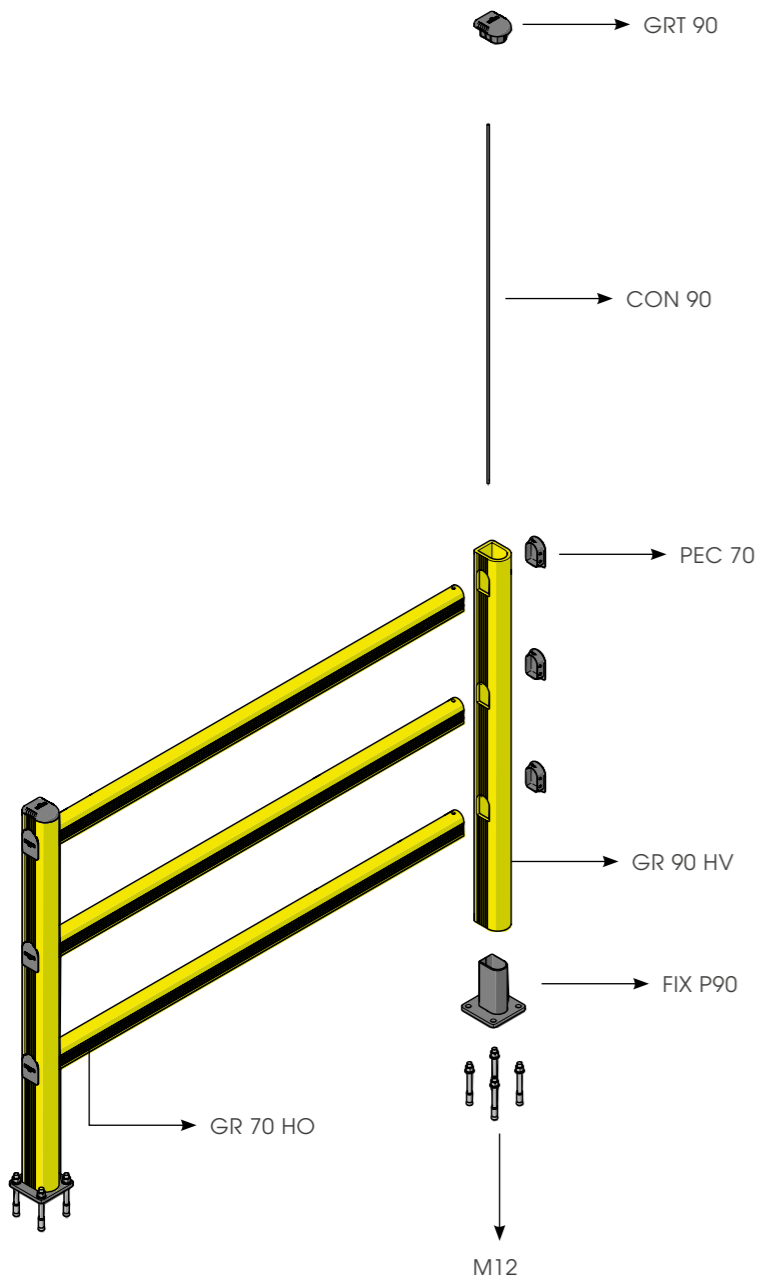
# HR 90

ISTRUZIONI DI INSTALLAZIONE  
ASSEMBLY INSTRUCTIONS



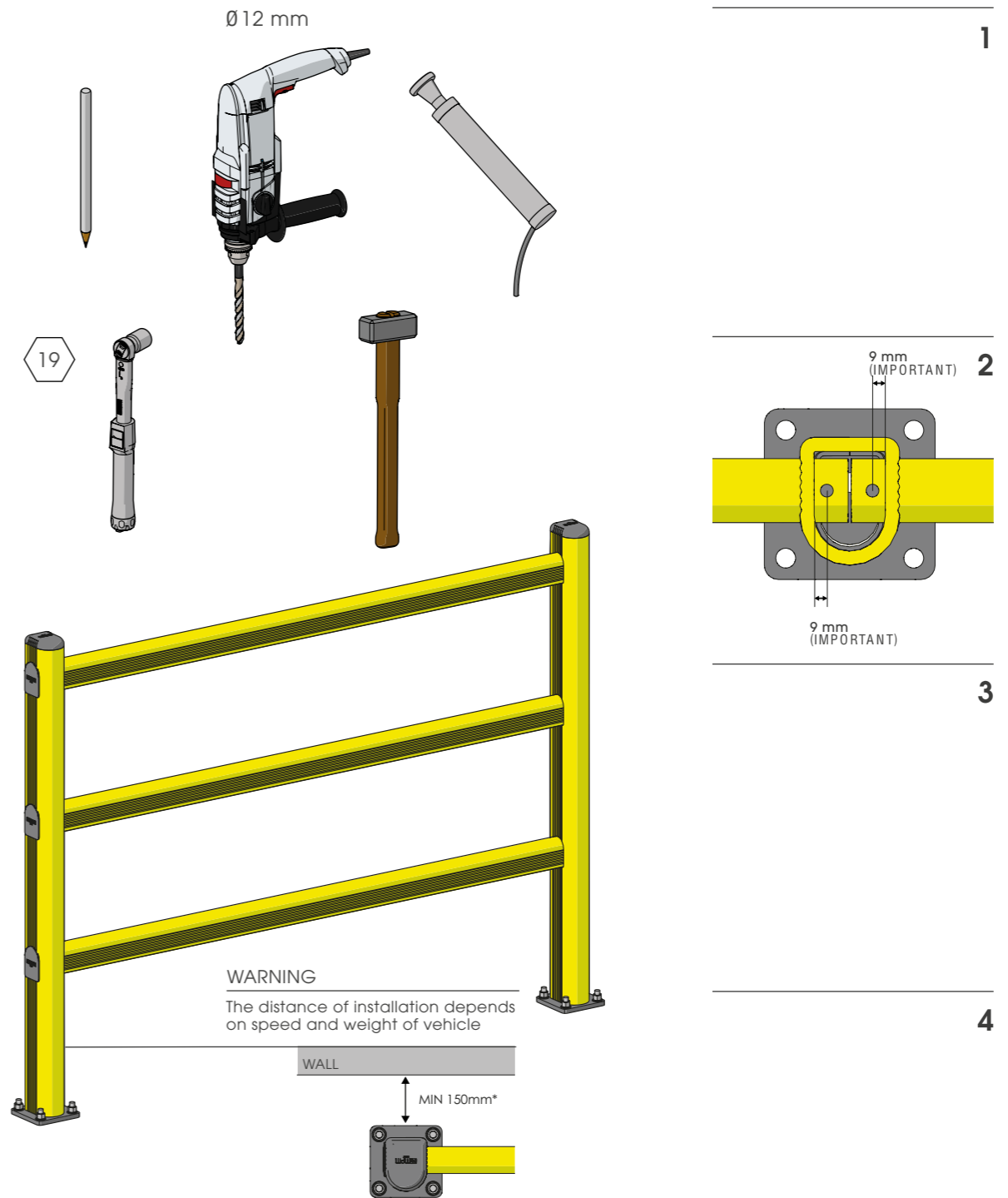
# PED 90

BARRIERA DI SICUREZZA  
SAFETY BARRIER



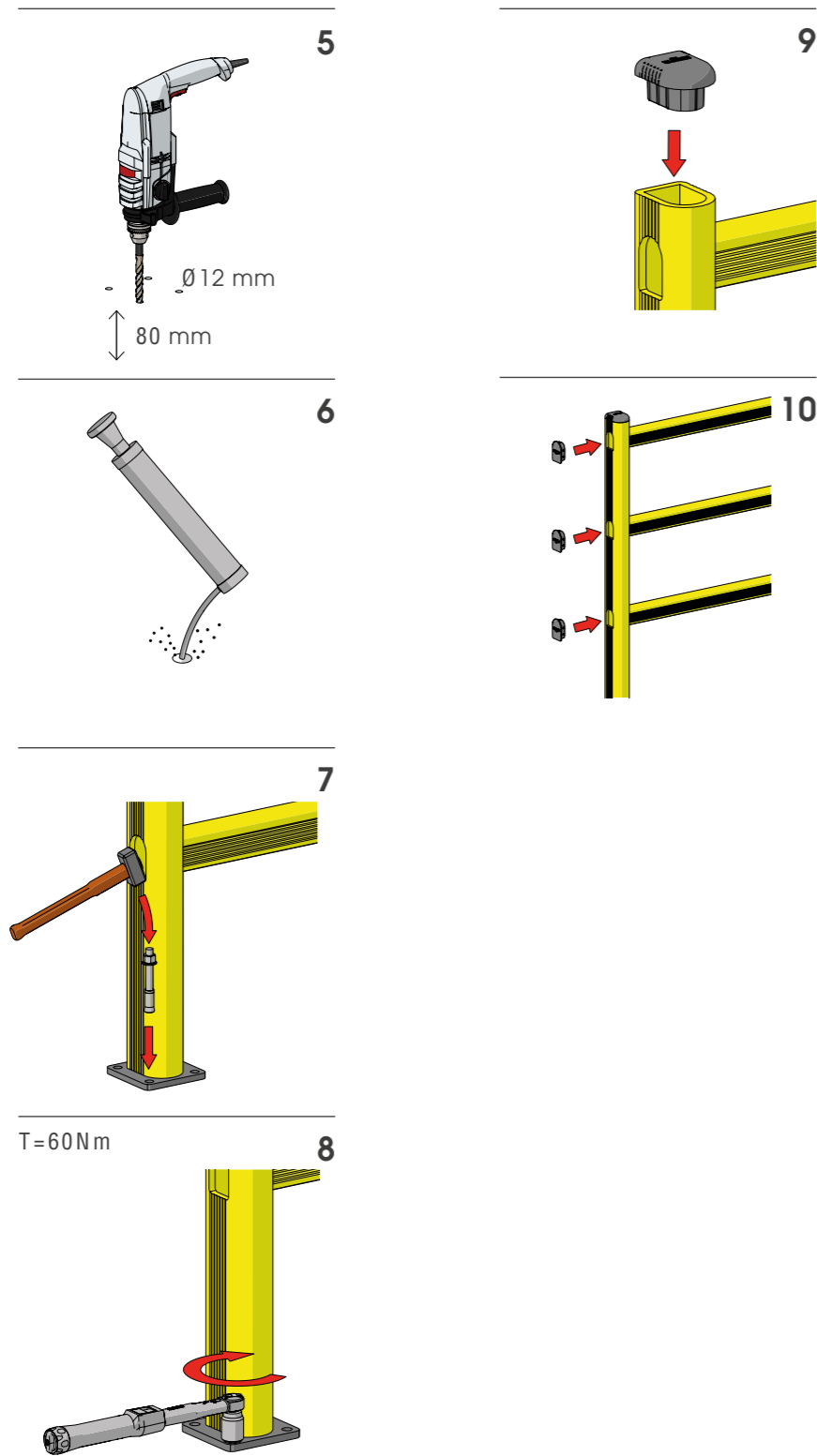
# PED 90

ISTRUZIONI DI INSTALLAZIONE  
ASSEMBLY INSTRUCTIONS



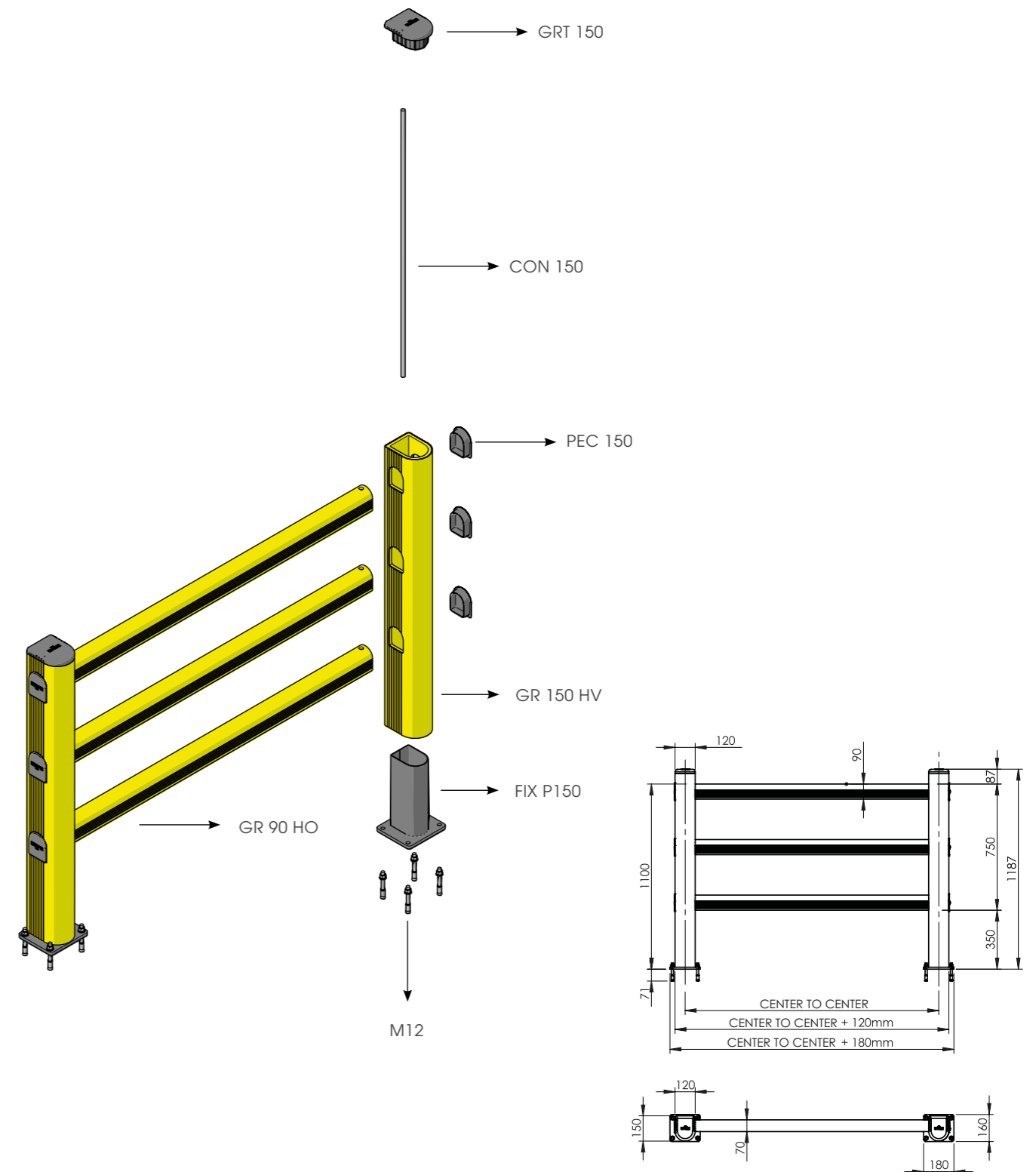
# PED 90

ISTRUZIONI DI INSTALLAZIONE  
ASSEMBLY INSTRUCTIONS



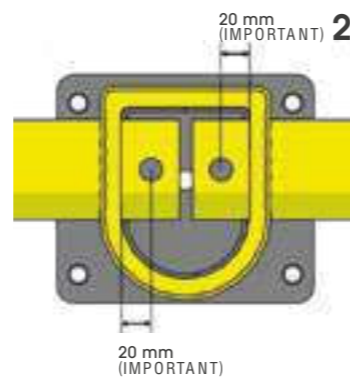
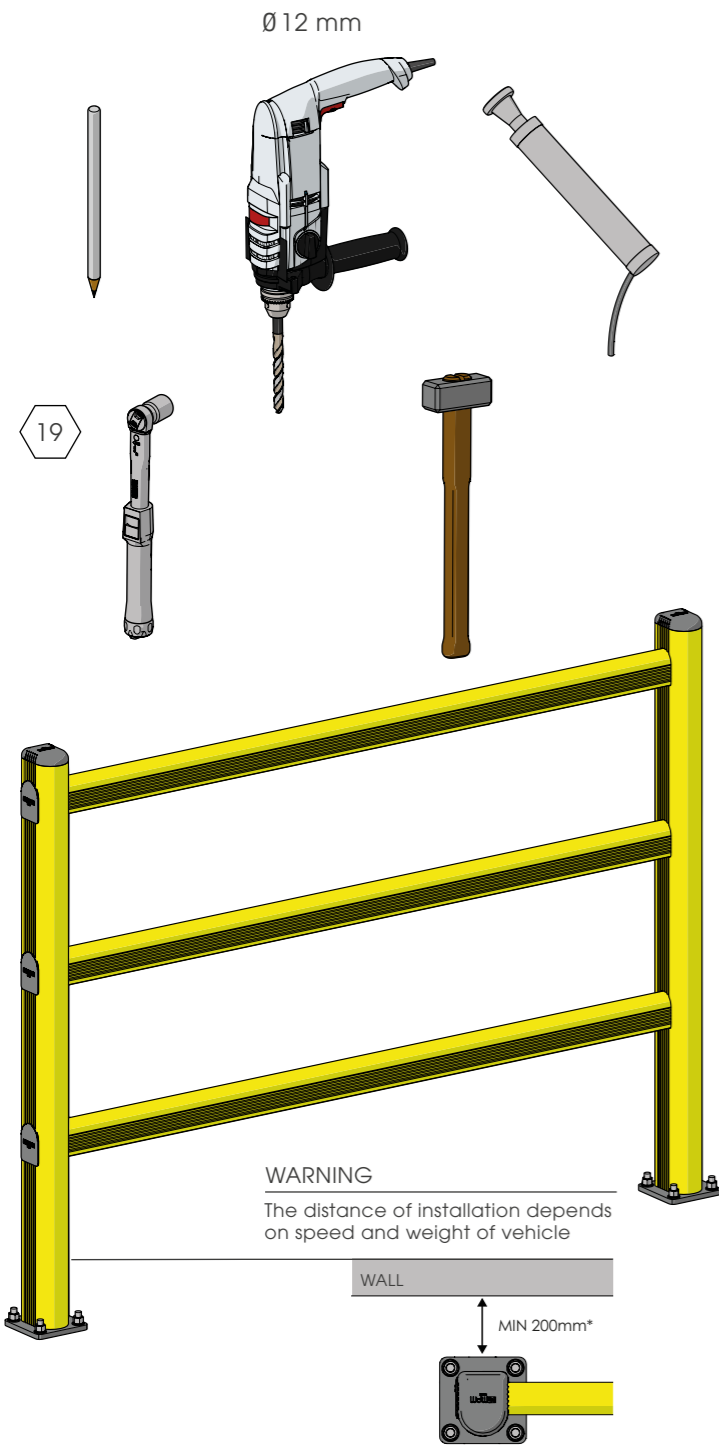
# PED 150

BARRIERA DI SICUREZZA  
SAFETY BARRIER



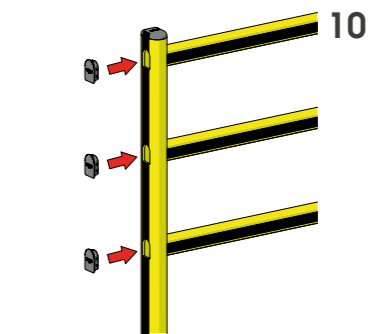
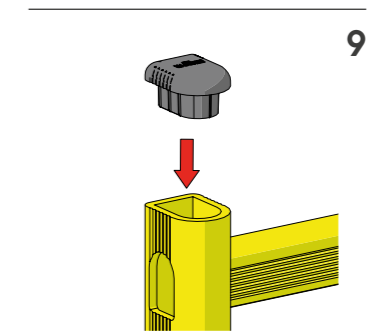
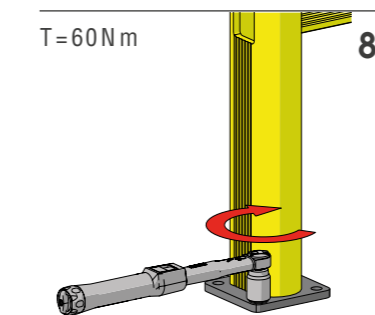
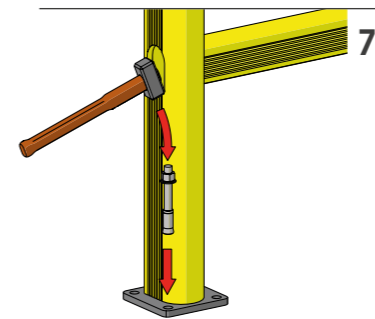
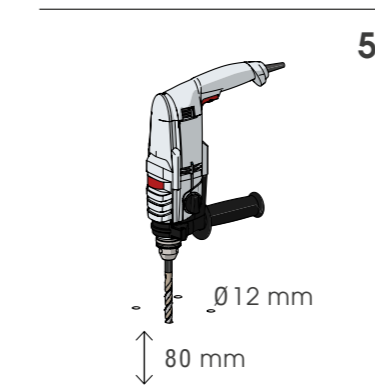
# PED 150

ISTRUZIONI DI INSTALLAZIONE  
ASSEMBLY INSTRUCTIONS



# PED 150

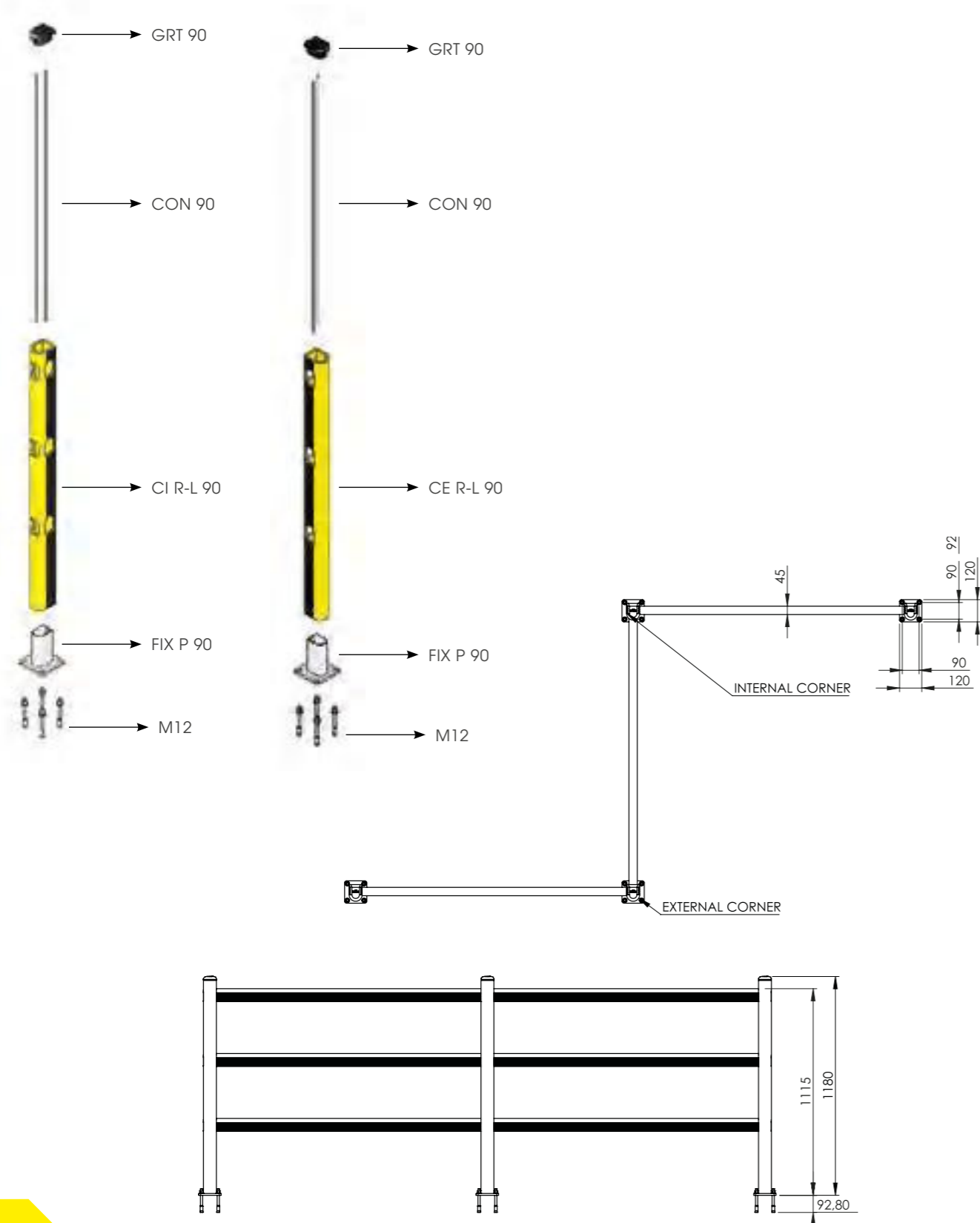
ISTRUZIONI DI INSTALLAZIONE  
ASSEMBLY INSTRUCTIONS





# CORNER PED 90

BARRIERA DI SICUREZZA  
SAFETY BARRIER



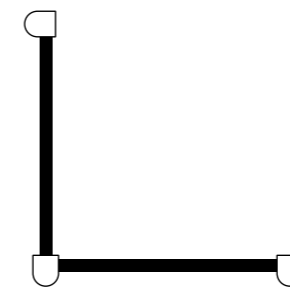
# CORNER PED 90

BARRIERA DI SICUREZZA  
SAFETY BARRIER

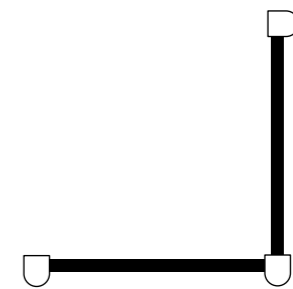
PLEASE CHECK HERE BELOW  
WHICH POSITION OF THE CORNER YOU NEED



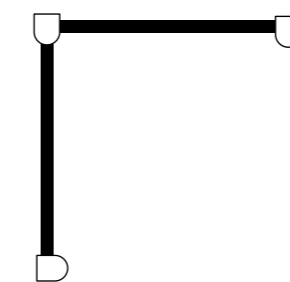
EXTERNAL L



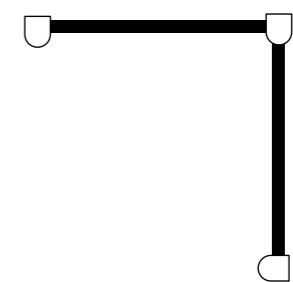
EXTERNAL R



INTERNAL L

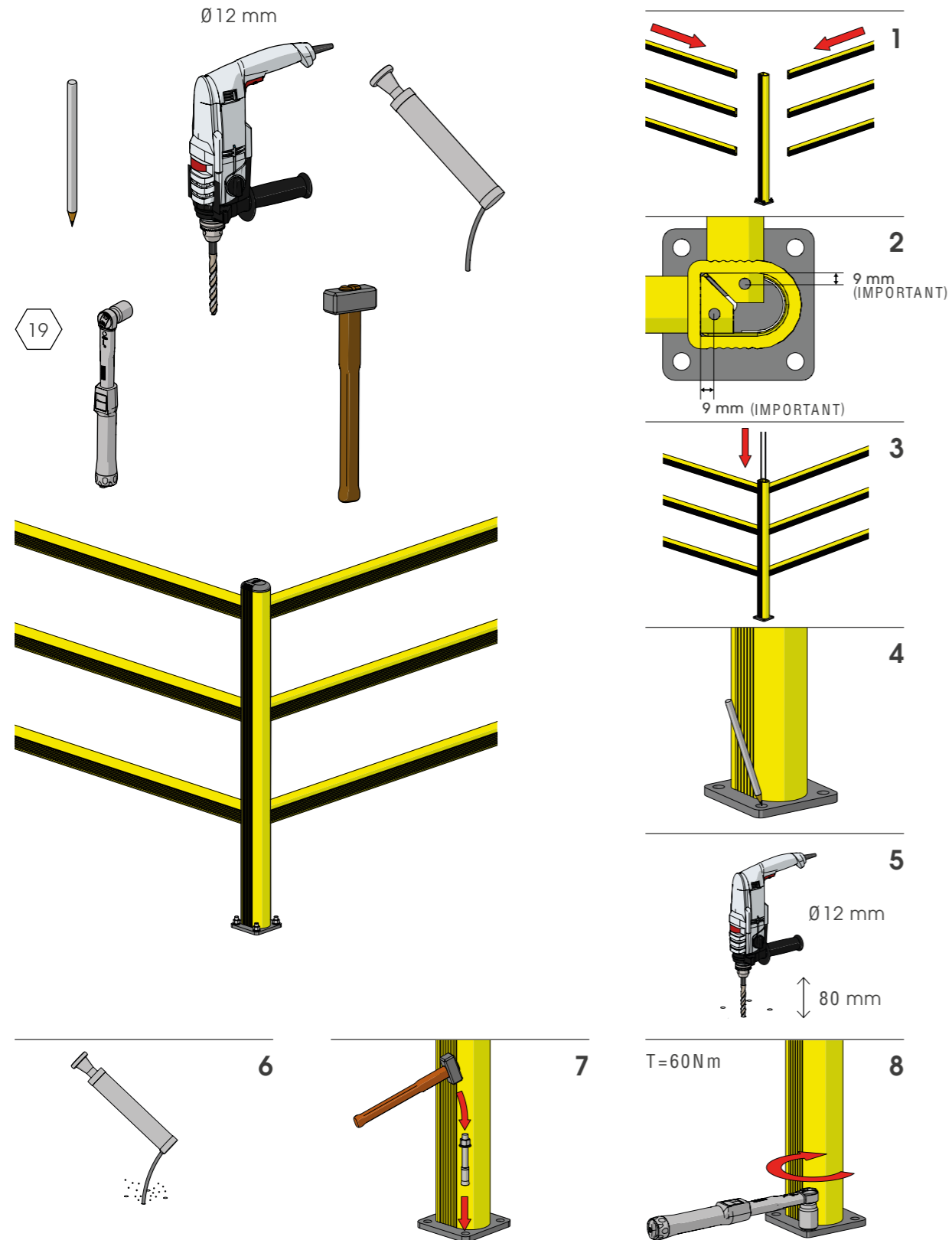


INTERNAL R



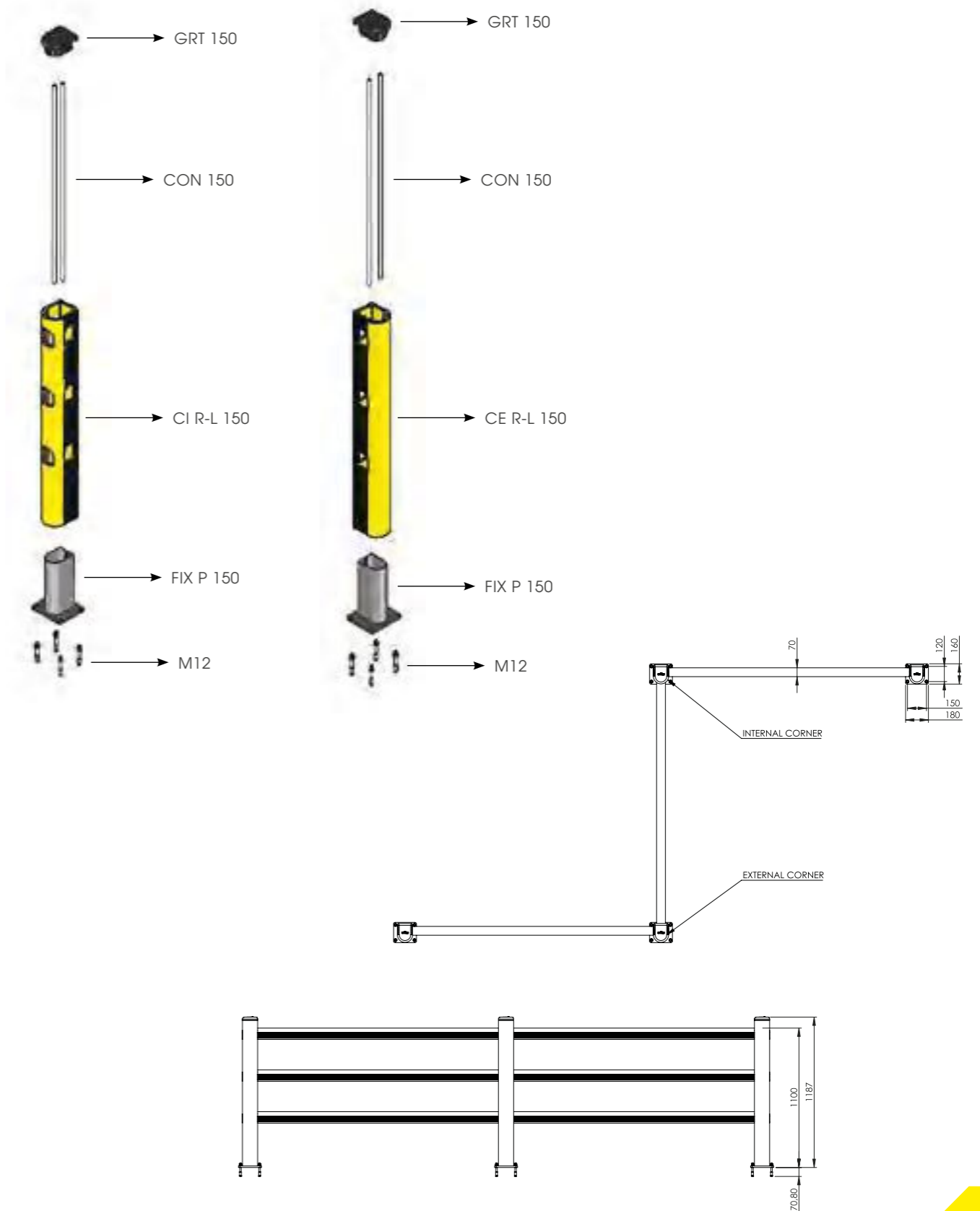
# CORNER PED 90

ISTRUZIONI DI INSTALLAZIONE  
ASSEMBLY INSTRUCTIONS



# CORNER PED 150

BARRIERA DI SICUREZZA  
SAFETY BARRIER

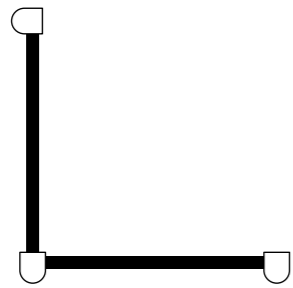


# CORNER PED 150

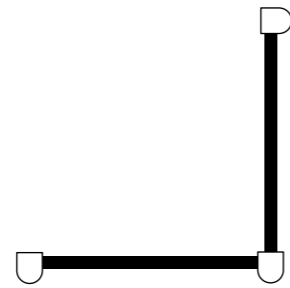
BARRIERA DI SICUREZZA  
SAFETY BARRIER

PLEASE CHECK HERE BELOW  
WHICH POSITION OF THE CORNER YOU NEED

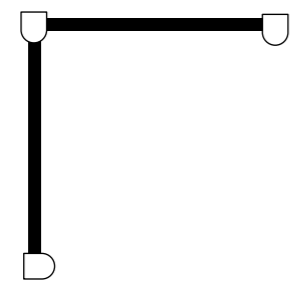
EXTERNAL L



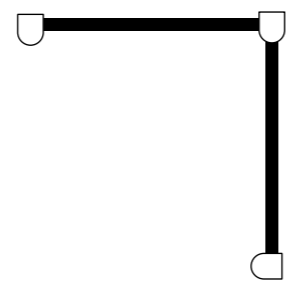
EXTERNAL R



INTERNAL L

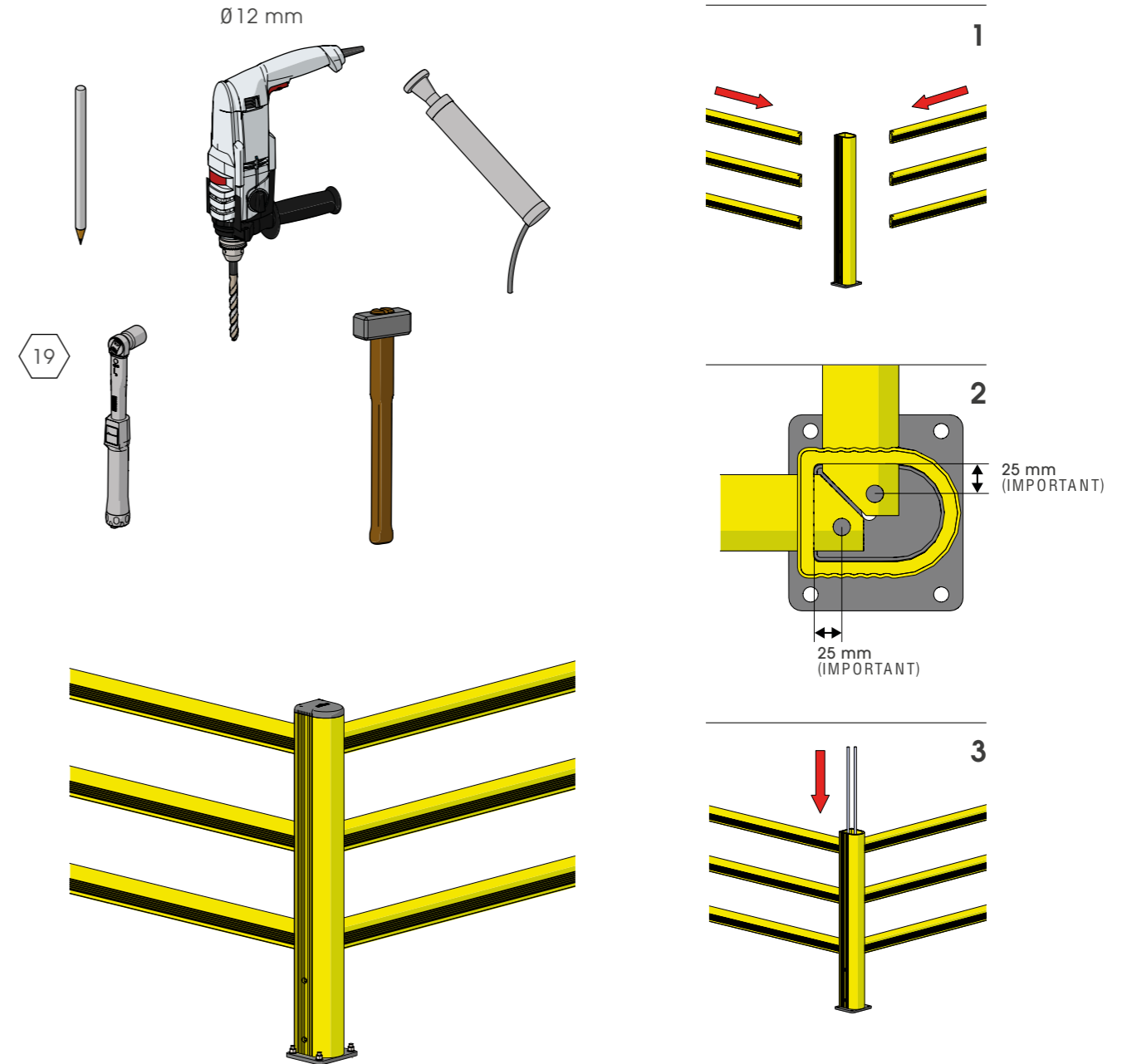


INTERNAL R



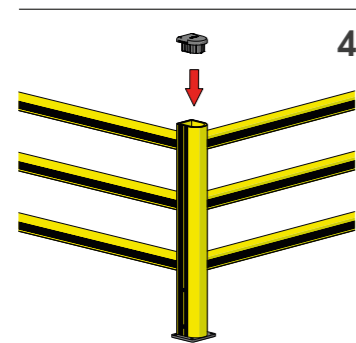
# CORNER PED 150

ISTRUZIONI DI INSTALLAZIONE  
ASSEMBLY INSTRUCTIONS

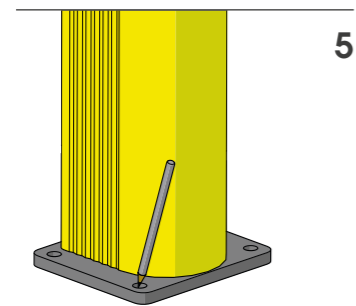


# CORNER PED 150

ISTRUZIONI DI INSTALLAZIONE  
ASSEMBLY INSTRUCTIONS



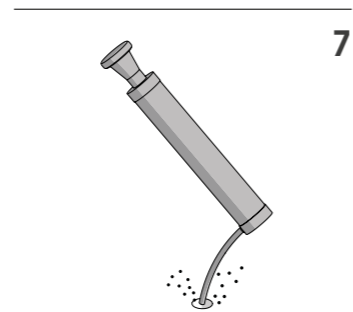
4



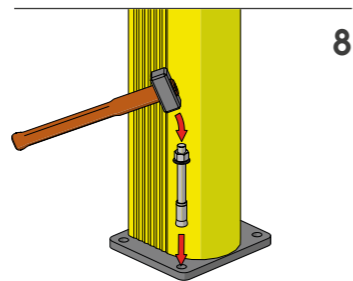
5



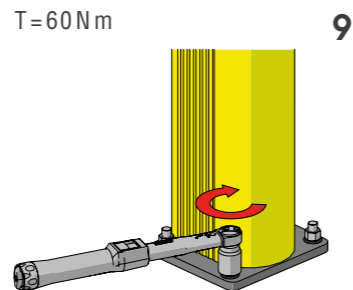
6



7



8



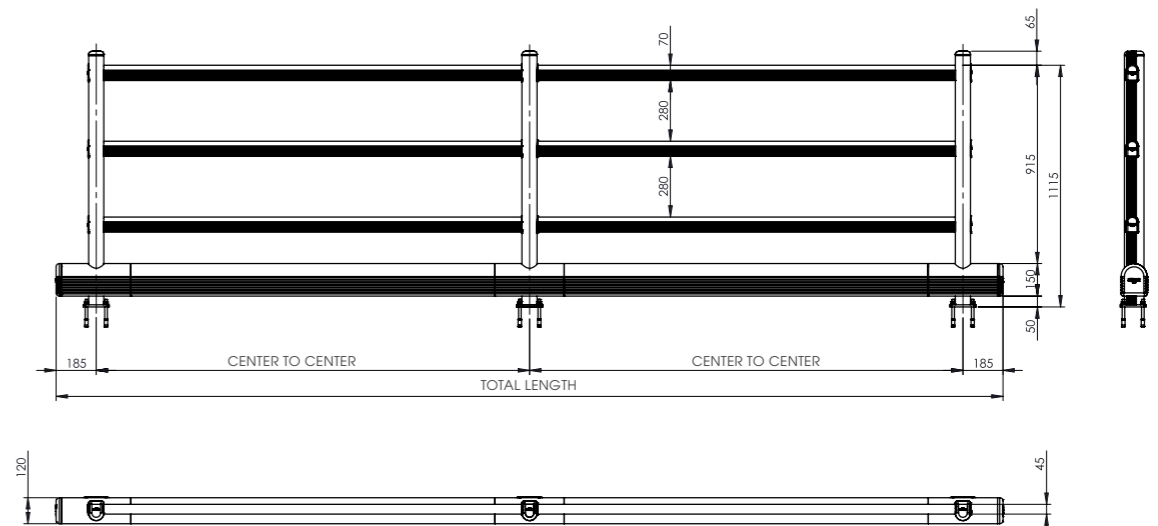
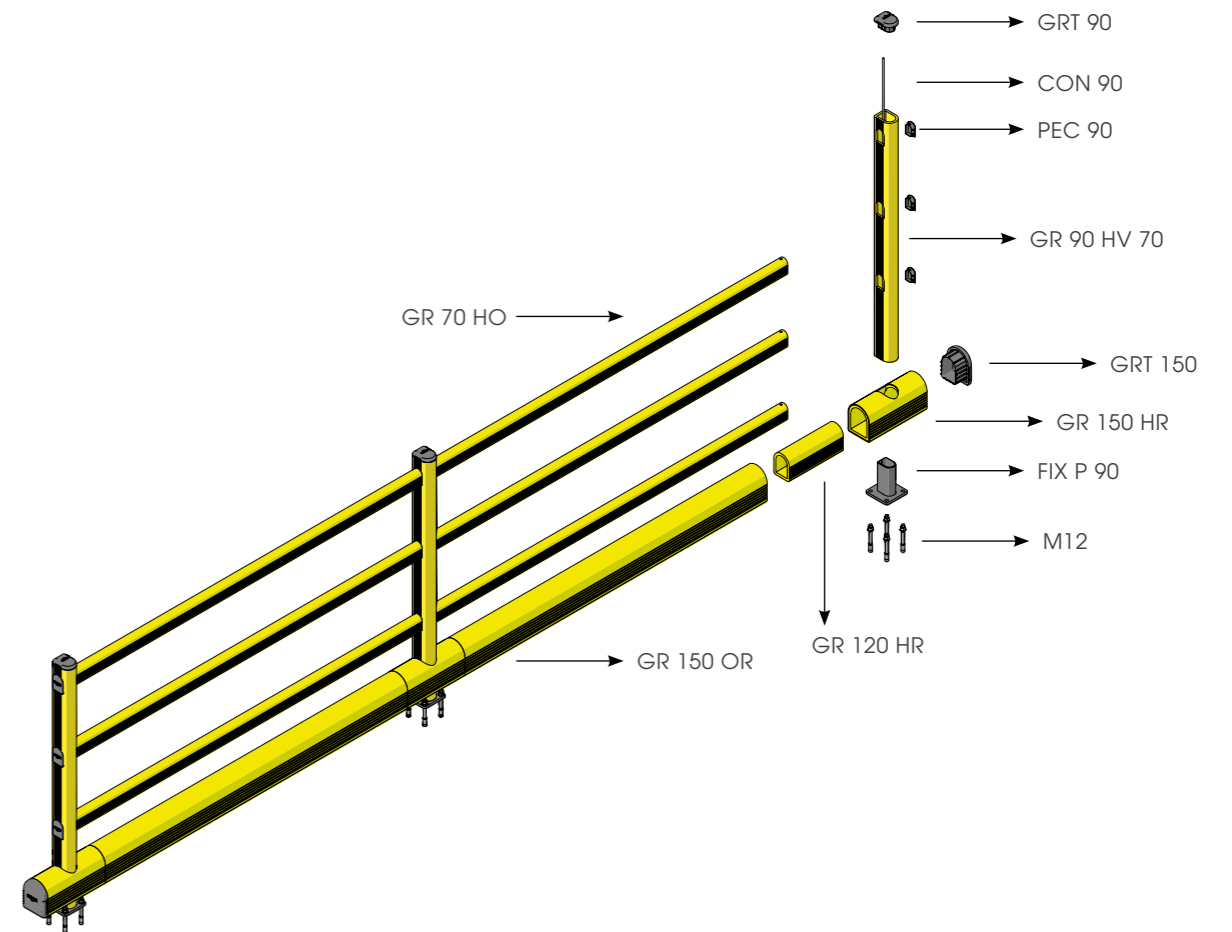
T=60 Nm

9

# PED 90 REINFORCED

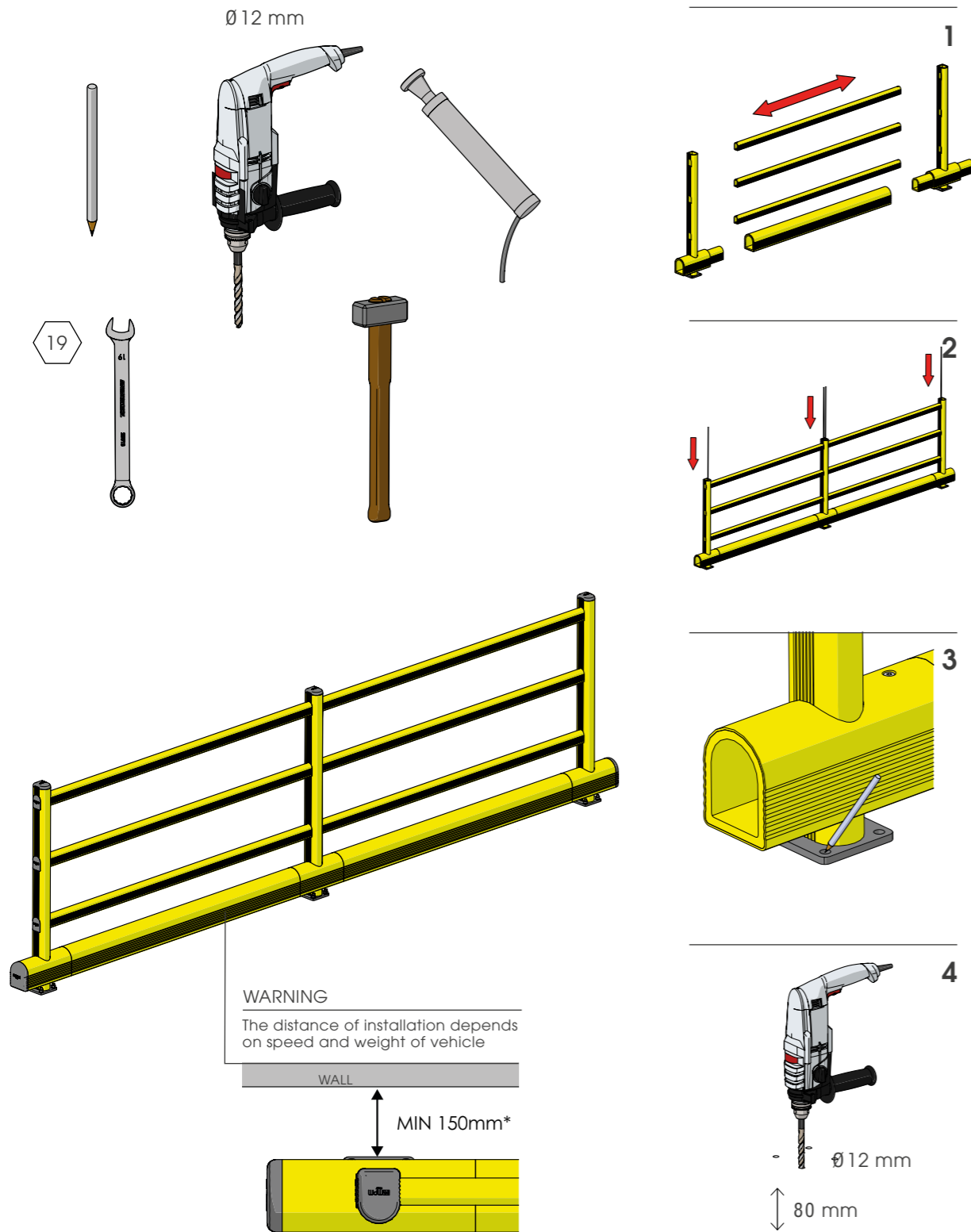
BARRIERA DI SICUREZZA  
SAFETY BARRIER

IMPACT TEST PASSED  
according to  
AFNORNP P98-310



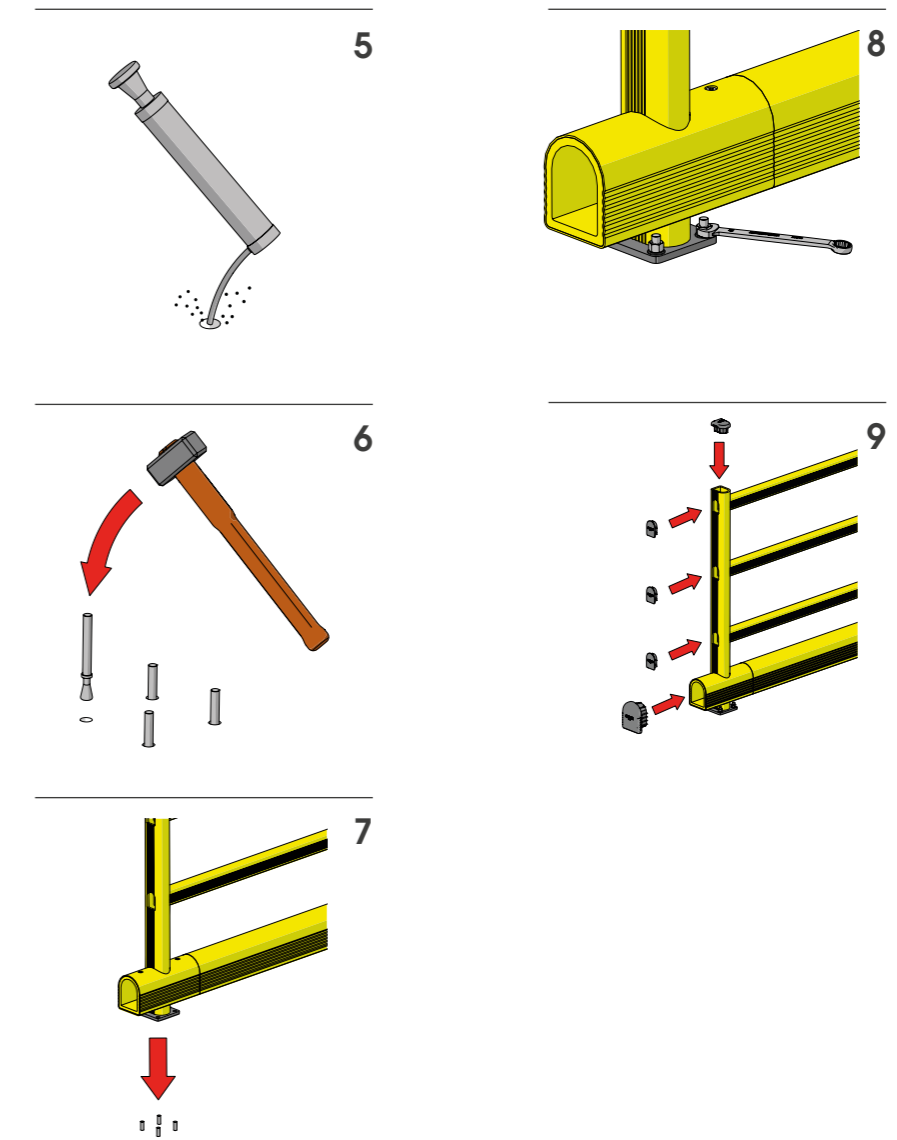
# PED 90 REINFORCED

ISTRUZIONI DI INSTALLAZIONE  
ASSEMBLY INSTRUCTIONS



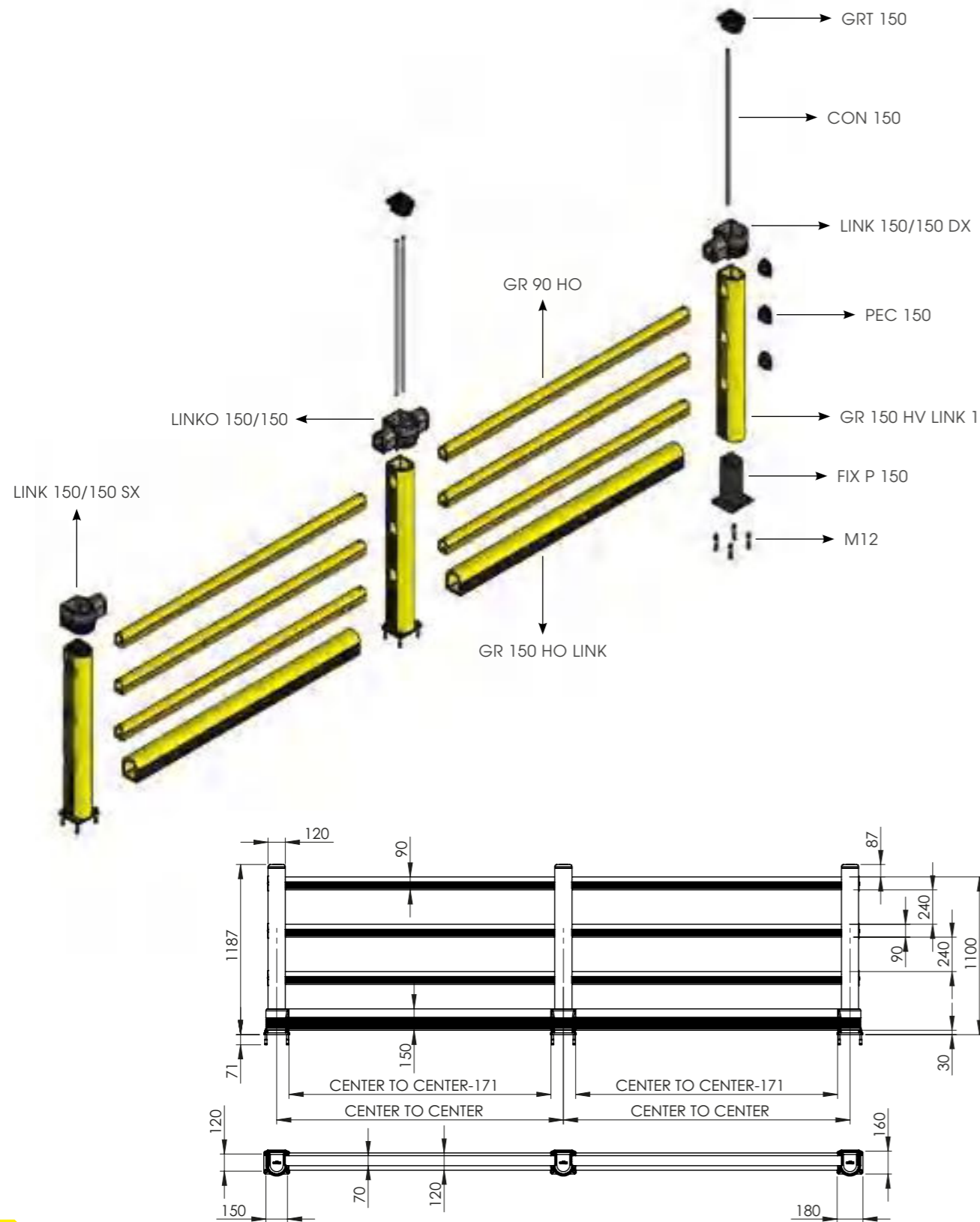
# PED 90 REINFORCED

ISTRUZIONI DI INSTALLAZIONE  
ASSEMBLY INSTRUCTIONS



# PED 150 REF LINK

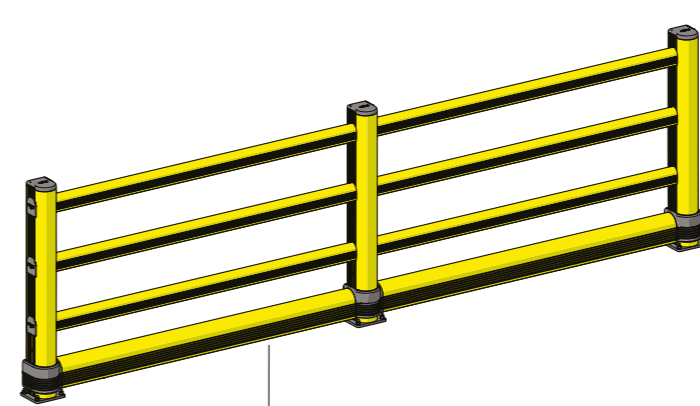
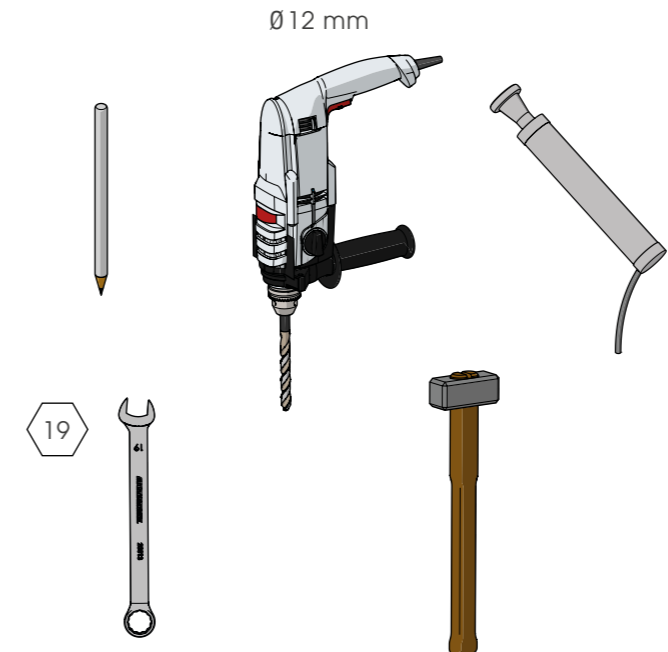
BARRIERA DI SICUREZZA  
SAFETY BARRIER



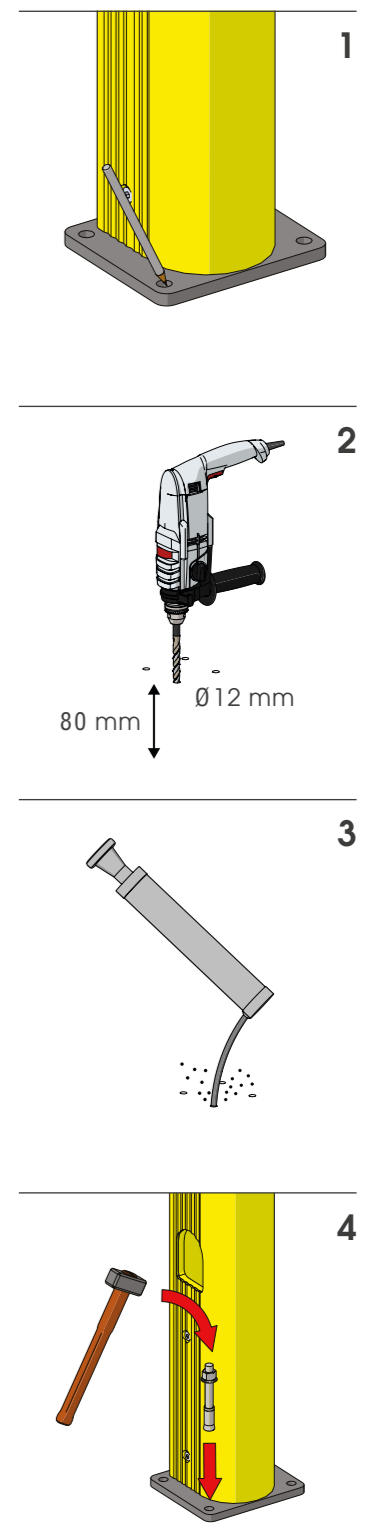
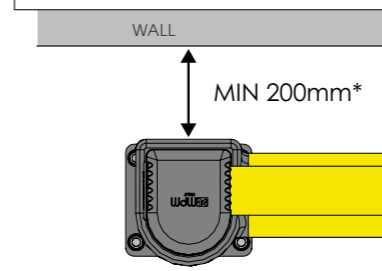
# PED 150 REF LINK

ISTRUZIONI DI INSTALLAZIONE  
ASSEMBLY INSTRUCTIONS

THE PRODUCT IS EQUIPPED WITH SCREWS M8

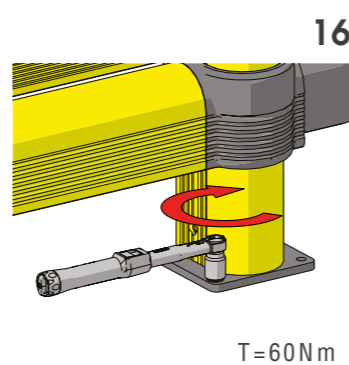
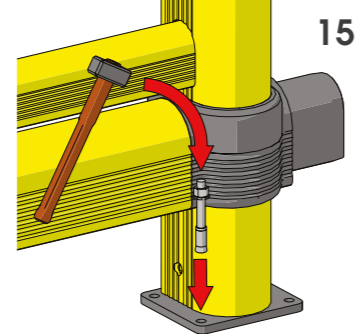
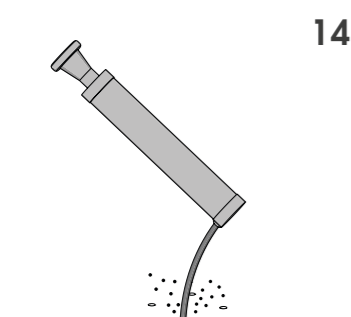
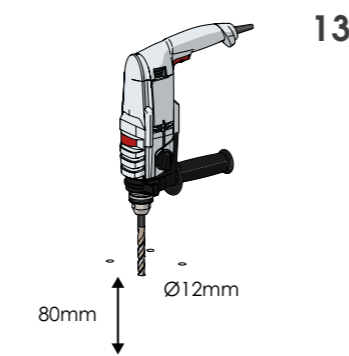
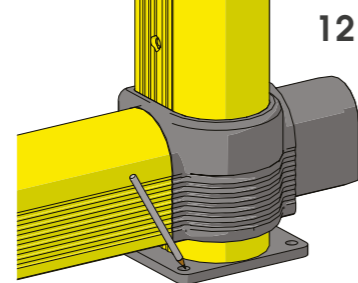
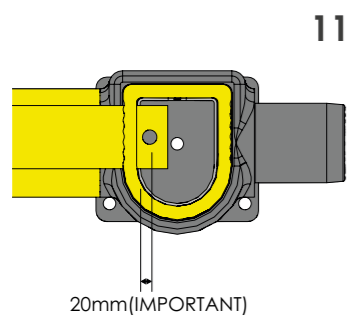
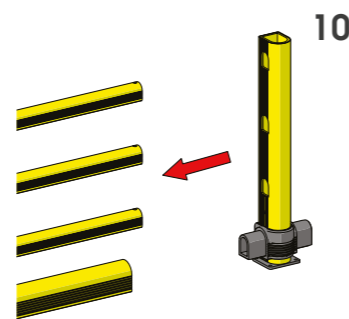
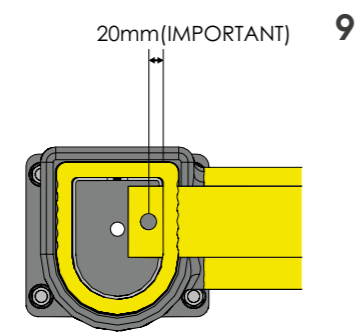
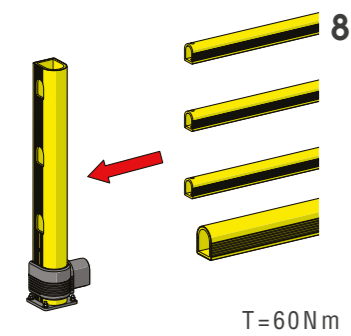
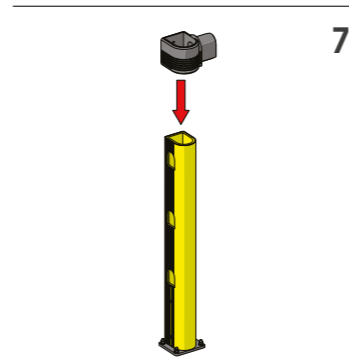
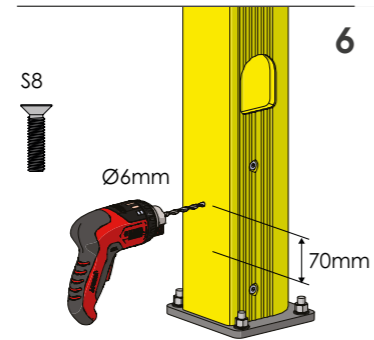
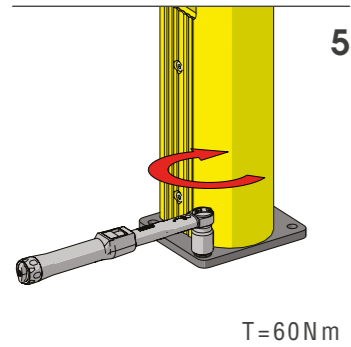


**WARNING**  
The distance of installation depends on speed and weight of vehicle



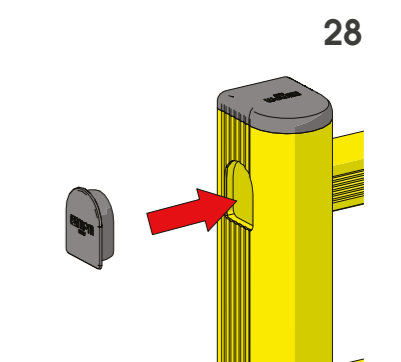
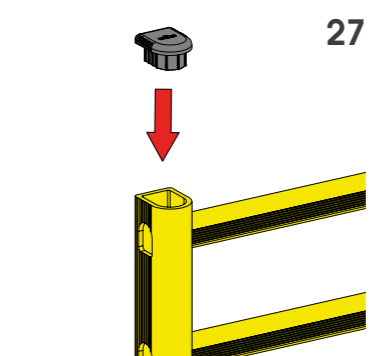
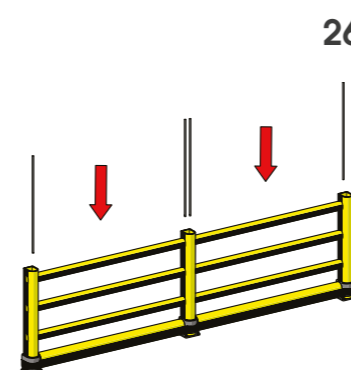
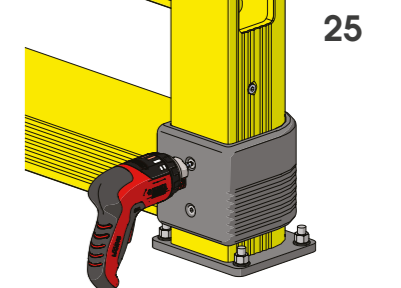
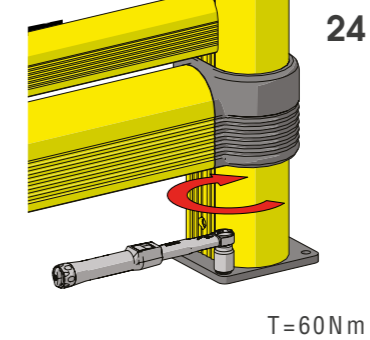
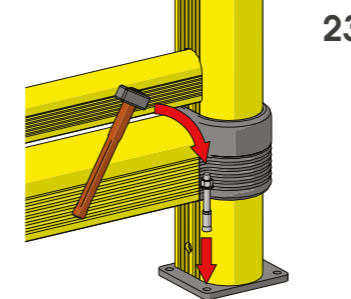
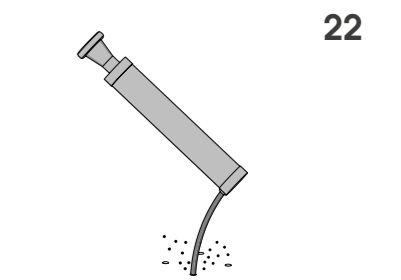
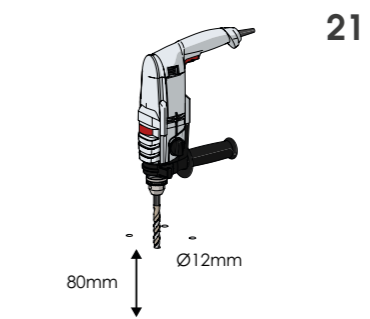
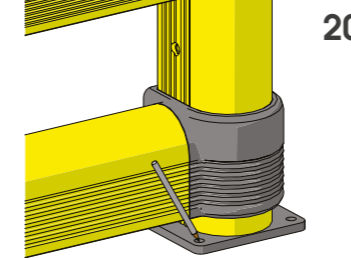
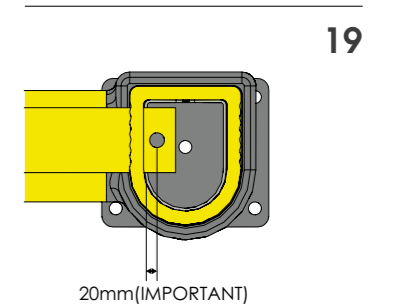
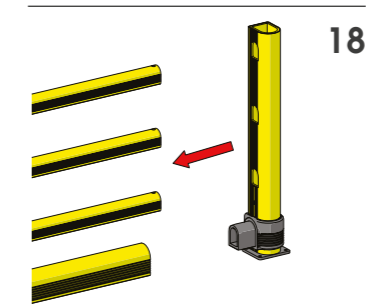
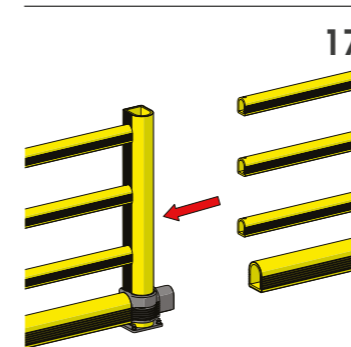
# PED 150 REF LINK

ISTRUZIONI DI INSTALLAZIONE  
ASSEMBLY INSTRUCTIONS



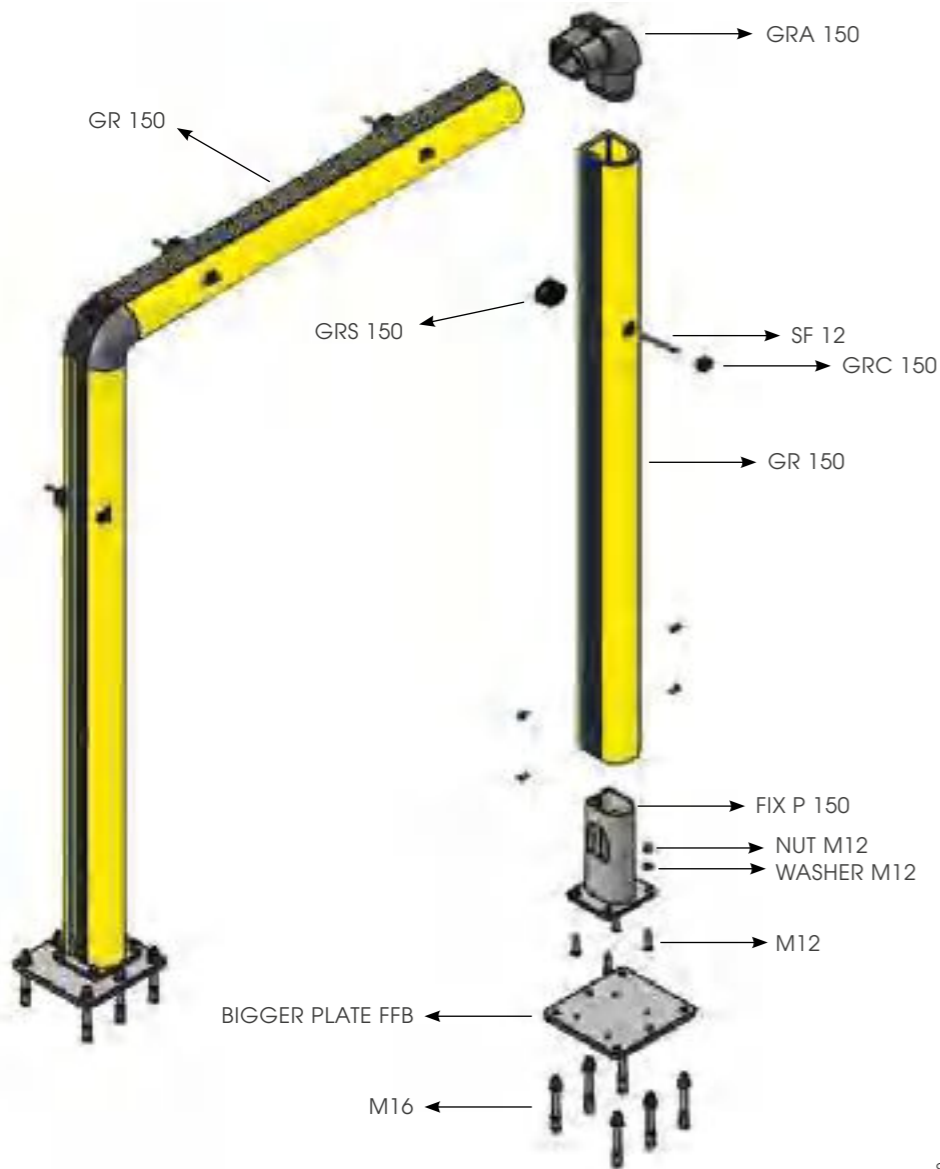
# PED 150 REF LINK

ISTRUZIONI DI INSTALLAZIONE  
ASSEMBLY INSTRUCTIONS

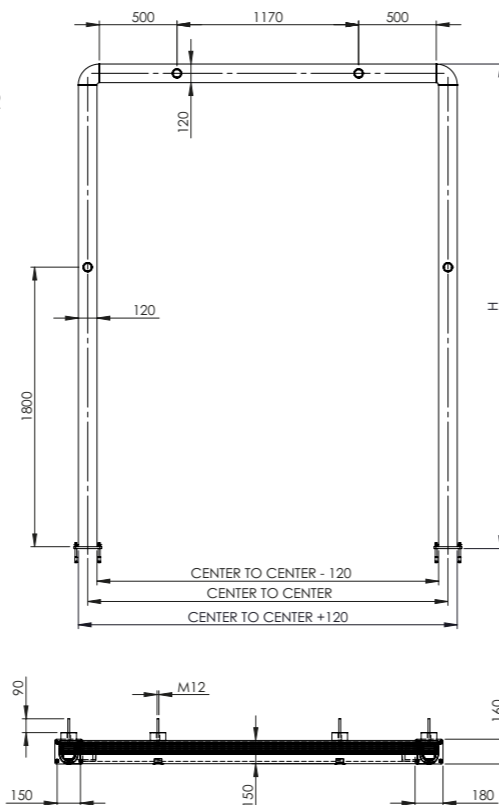


# FULL FRAME

PROTEZIONE PORTA FULL FRAME  
FULL FRAME DOOR PROTECTION



\*STANDARD DIMENSIONS  
UP TO 4500mm HIGH  
AND 4000mm WIDE

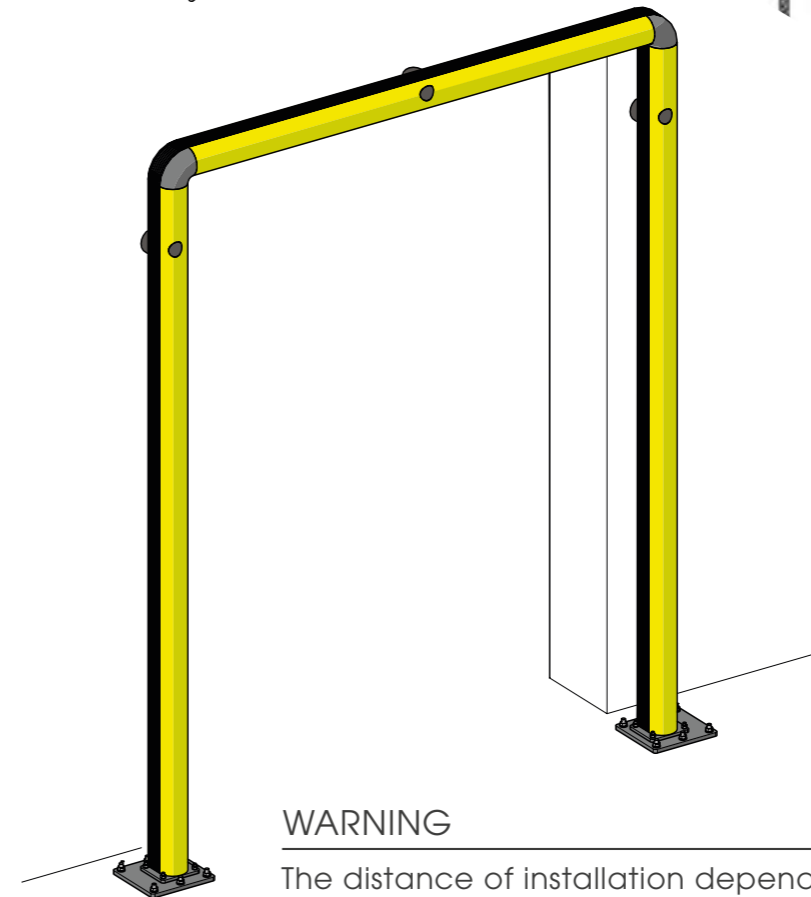


## WARNING

Full frame up to 4000mm high and 4000mm wide can be used without being mounted to the wall

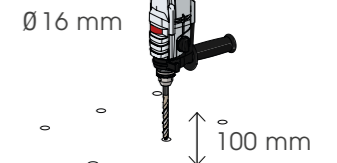
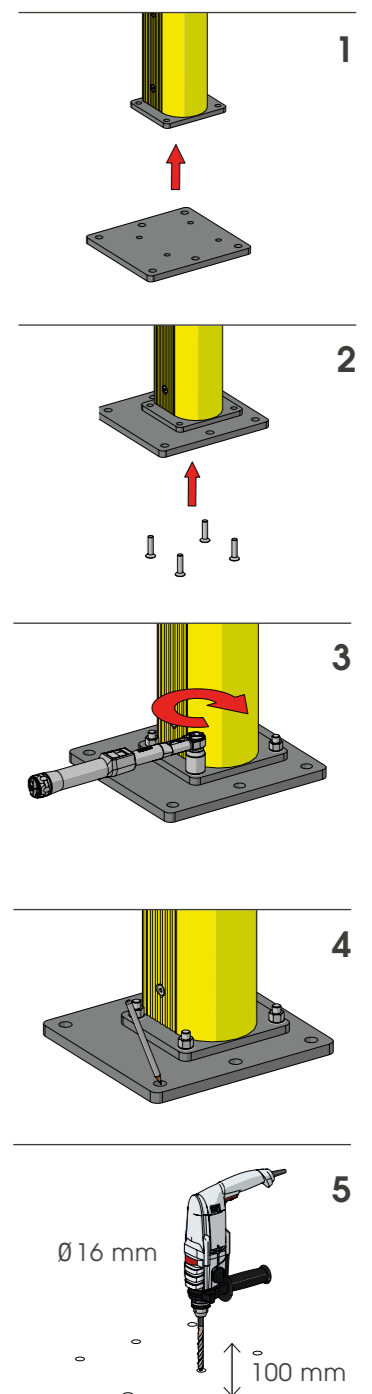
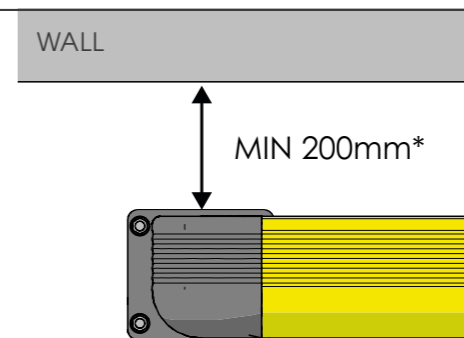
# FULL FRAME

ISTRUZIONI DI INSTALLAZIONE  
ASSEMBLY INSTRUCTIONS



## WARNING

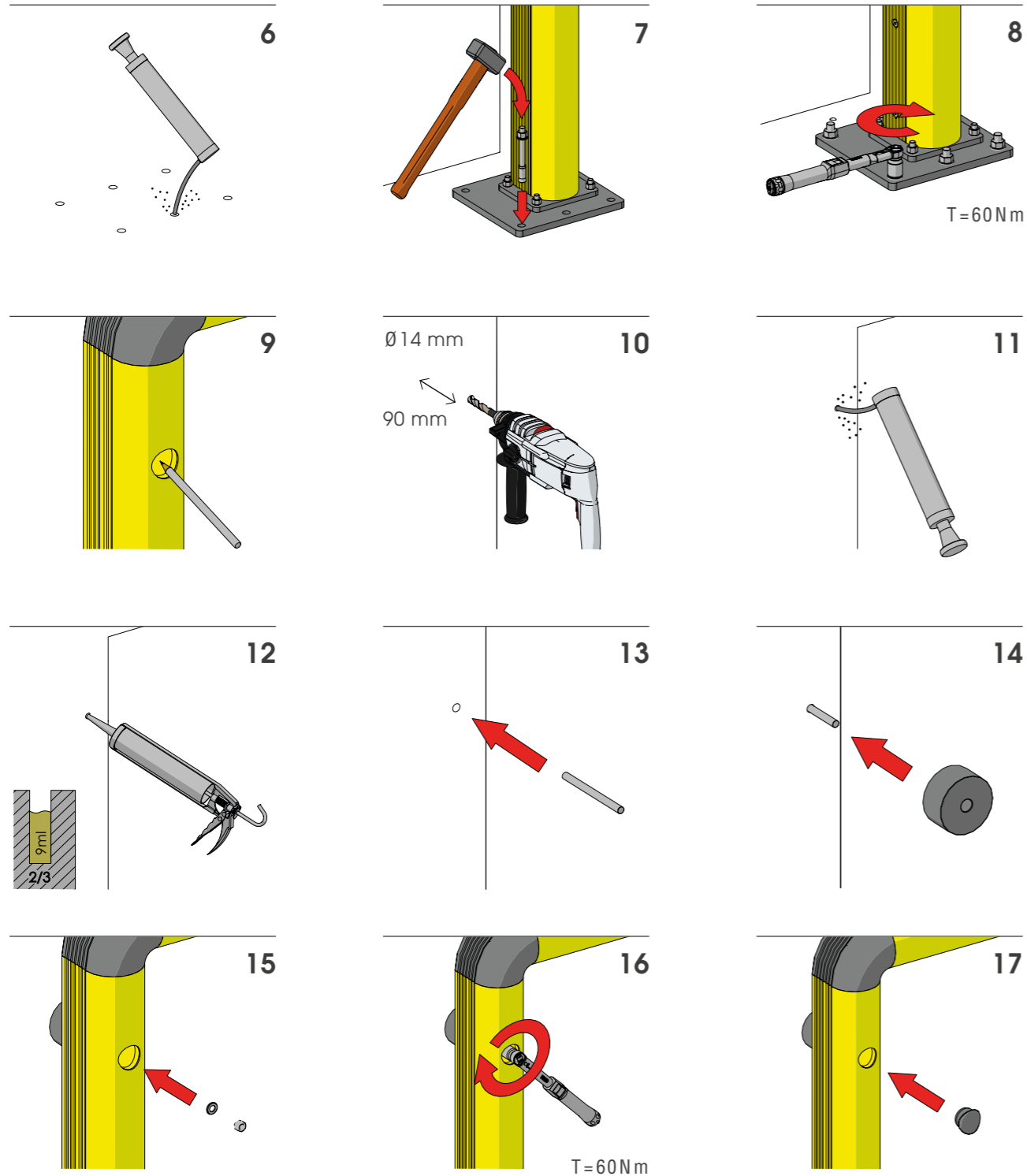
The distance of installation depends on speed and weight of vehicle and also on the dimension of the full frame





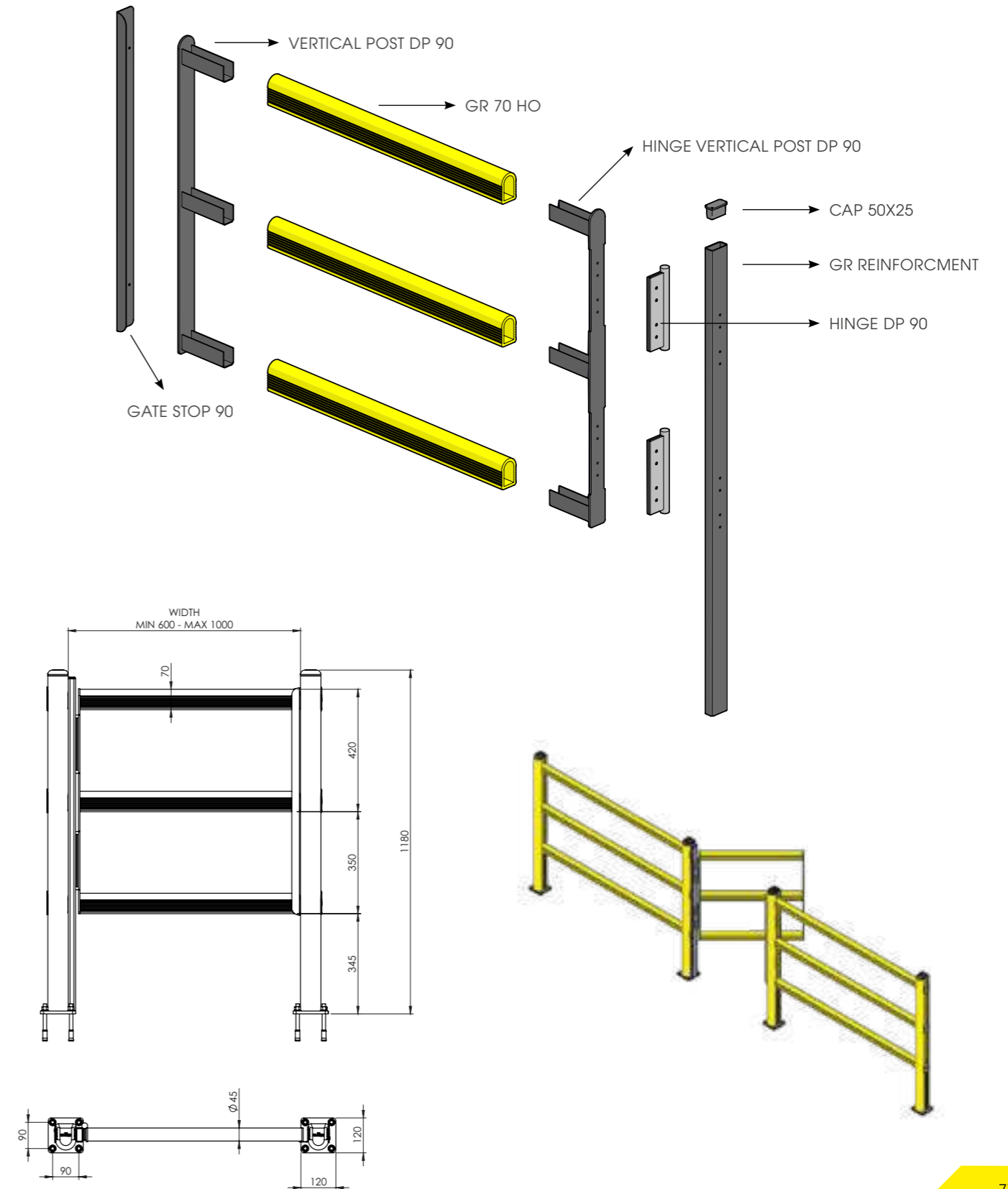
# FULL FRAME

ISTRUZIONI DI INSTALLAZIONE  
ASSEMBLY INSTRUCTIONS



# DP 90 ONE WAY

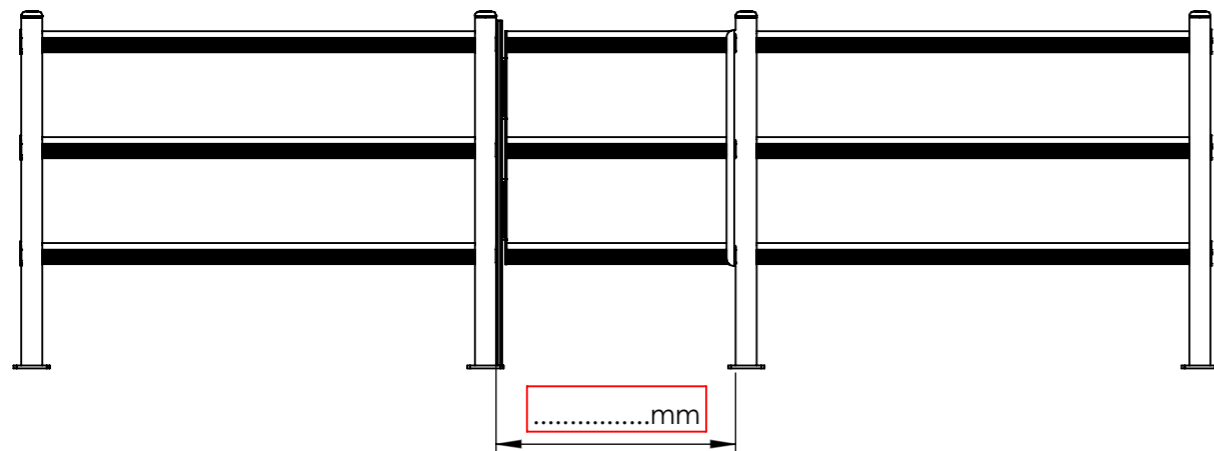
PORTA PEDESTRIAN 90  
DOOR PEDESTRIAN 90



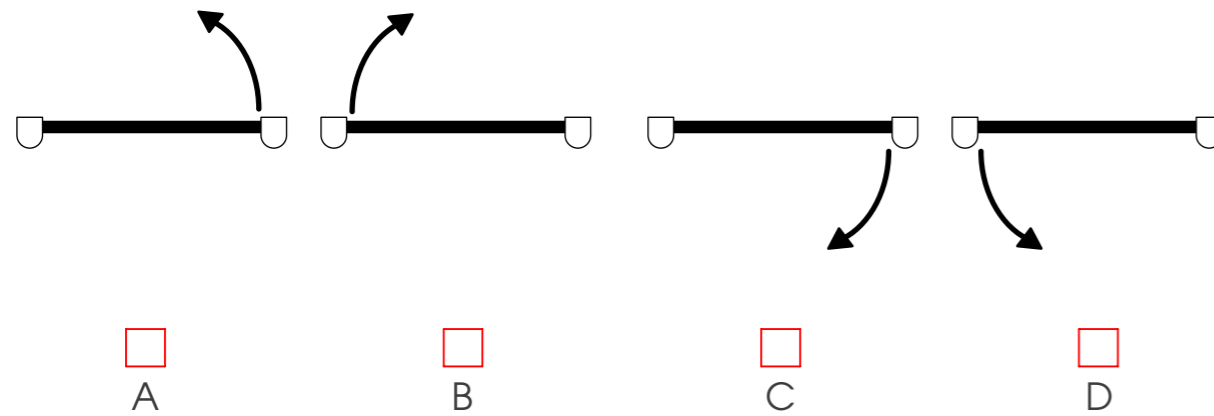
# DP 90 ONE WAY

PORTA PEDESTRIAN 90  
DOOR PEDESTRIAN 90

PLEASE CHECK HERE BELOW  
HOW THE SIZE OF THE DOOR IS TO BE MEASURED

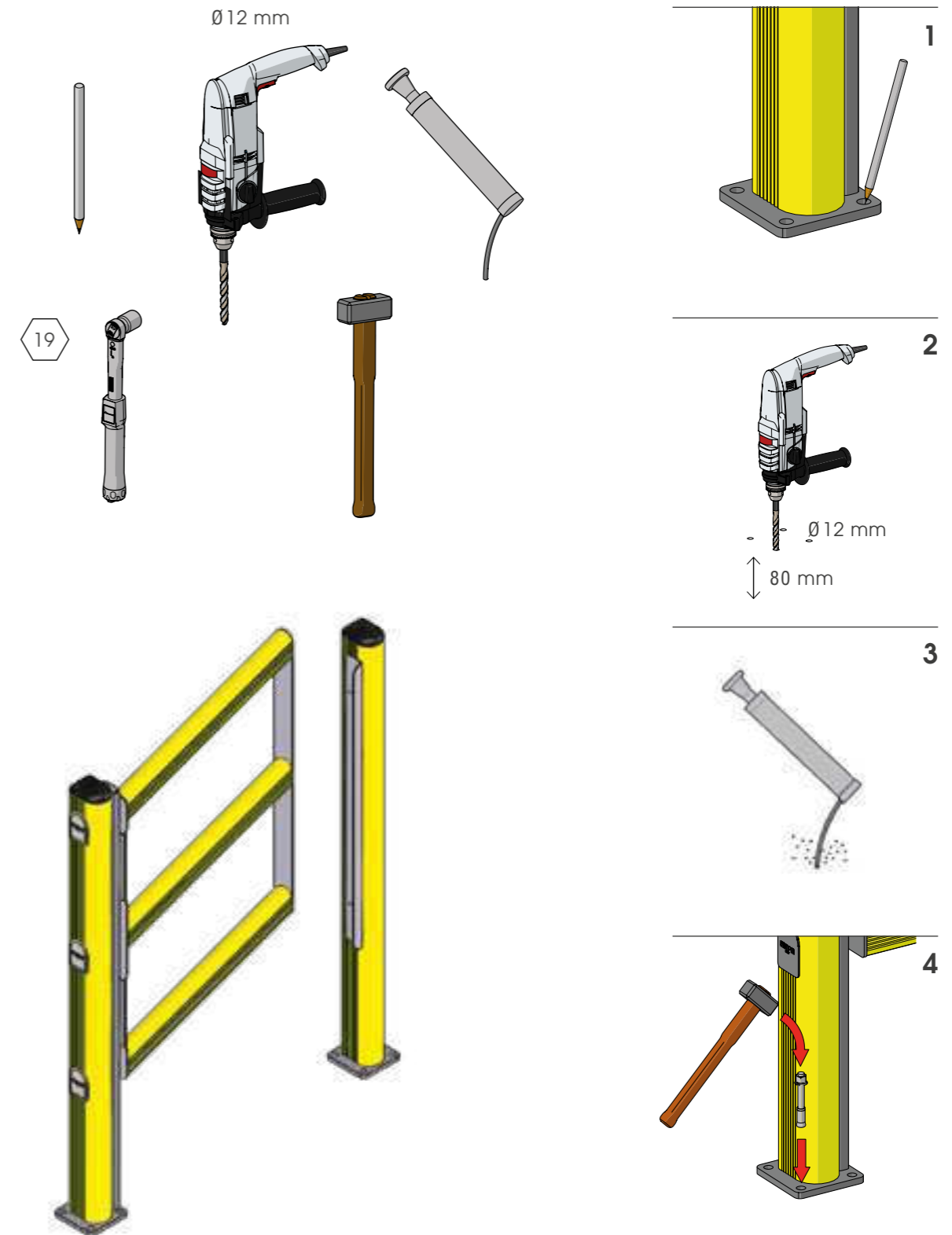


PLEASE CHECK HERE BELOW  
WHICH DIRECTION OF OPENING YOU NEED



# DP 90 ONE WAY

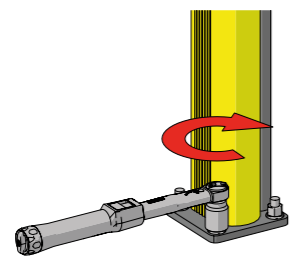
ISTRUZIONI DI INSTALLAZIONE  
ASSEMBLY INSTRUCTIONS



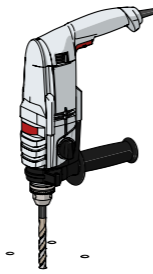
# DP 90 ONE WAY

ISTRUZIONI DI INSTALLAZIONE  
ASSEMBLY INSTRUCTIONS

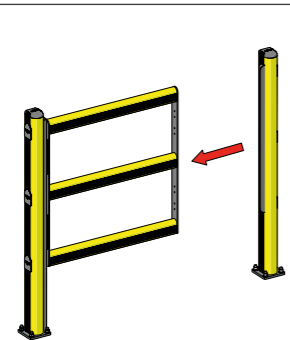
T=60Nm



5

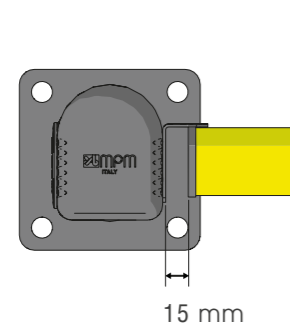


9

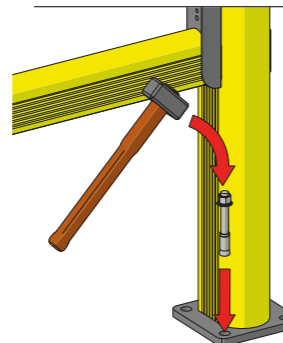


6

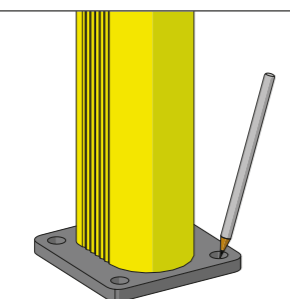
10



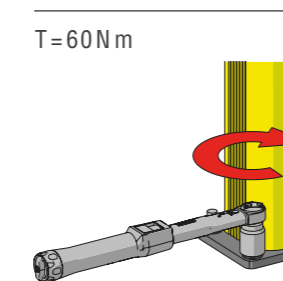
7



11



8

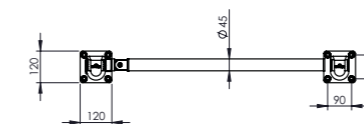
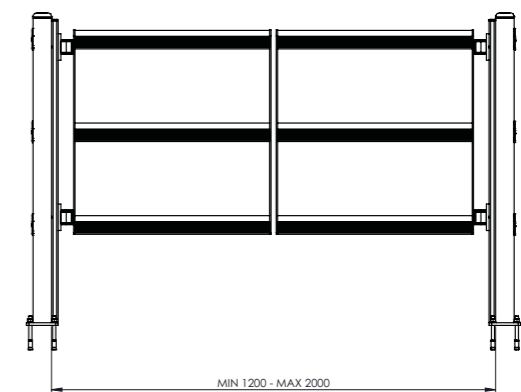
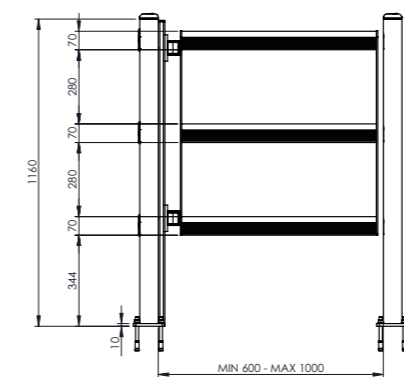
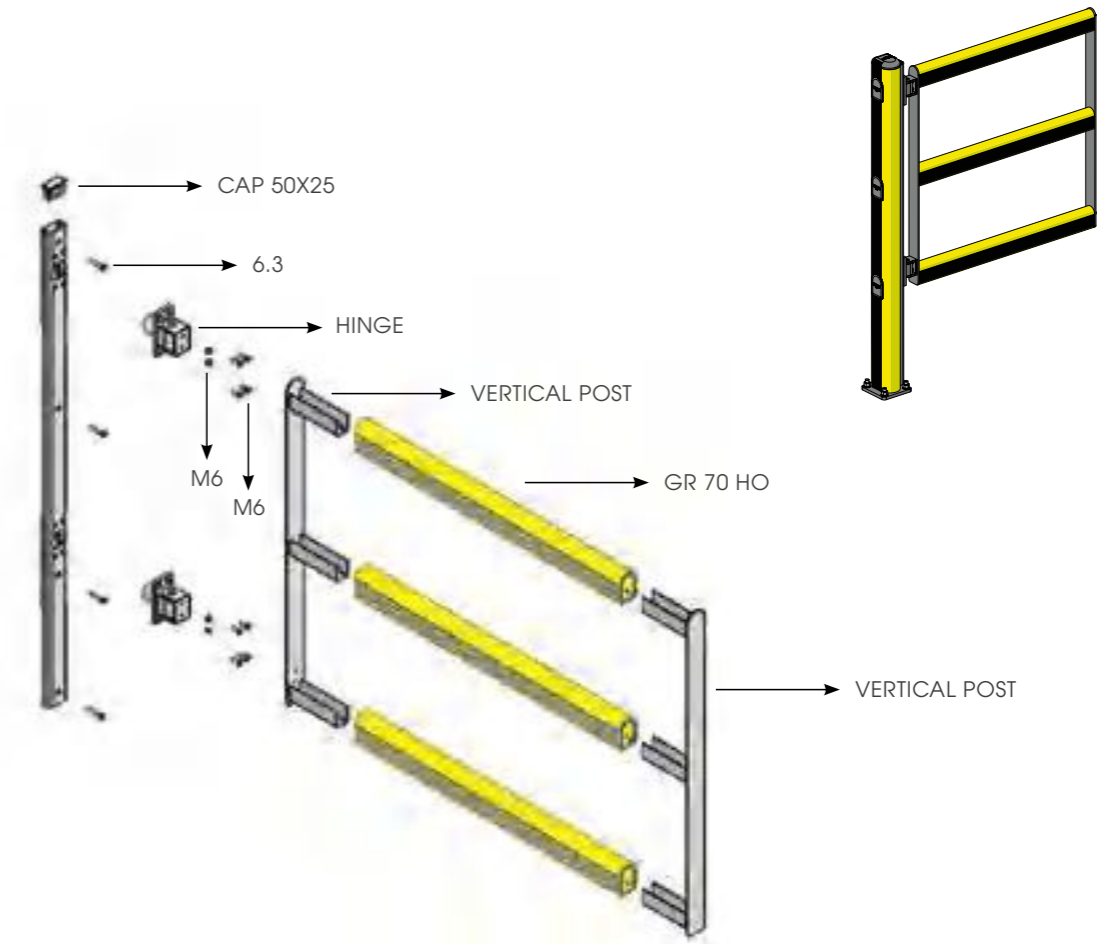


12

T=60Nm

# DP 90 SWING

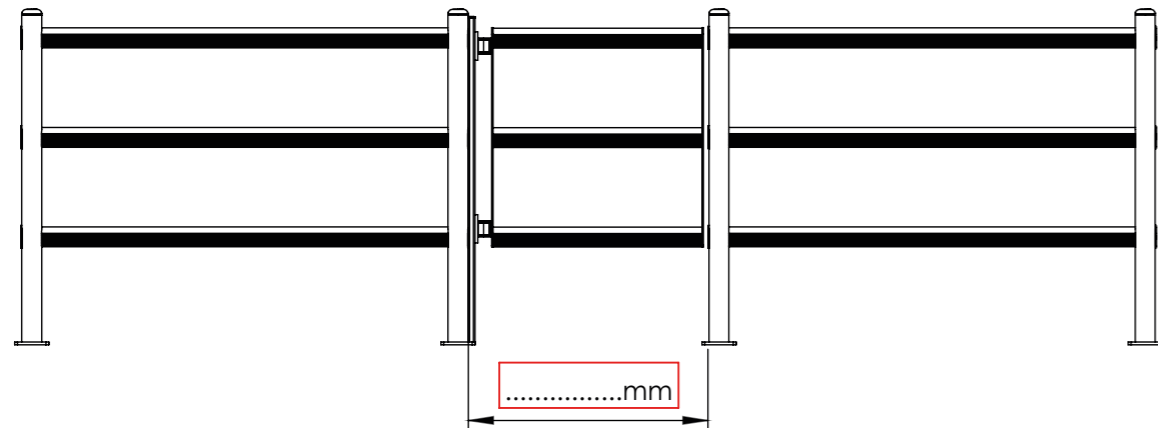
PORTA PEDESTRIAN 90  
DOOR PEDESTRIAN 90



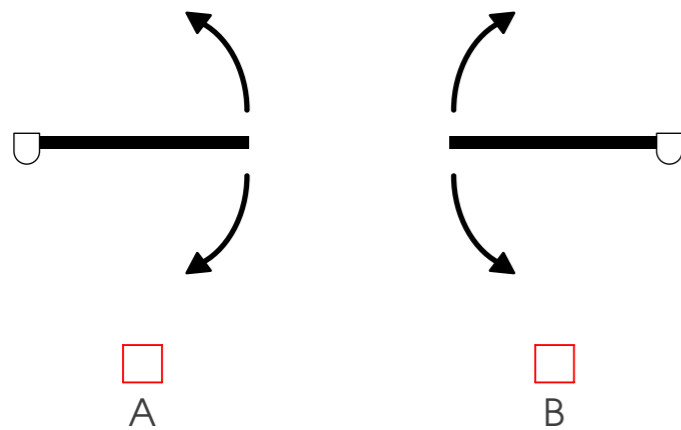
# DP 90 SWING

PORTA PEDESTRIAN 90  
DOOR PEDESTRIAN 90

PLEASE CHECK HERE BELOW  
HOW THE SIZE OF THE DOOR IS TO BE MEASURED

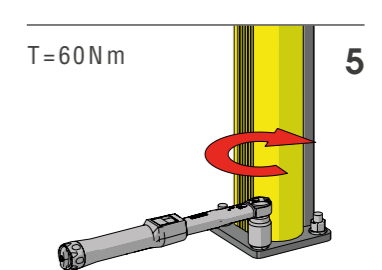
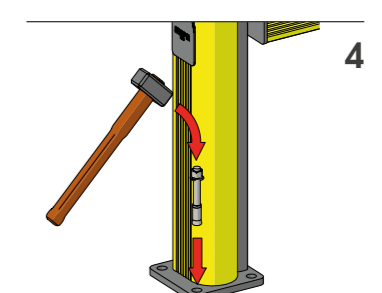
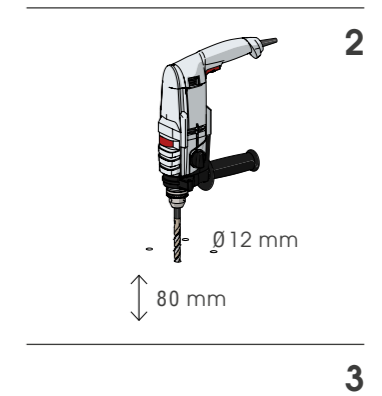
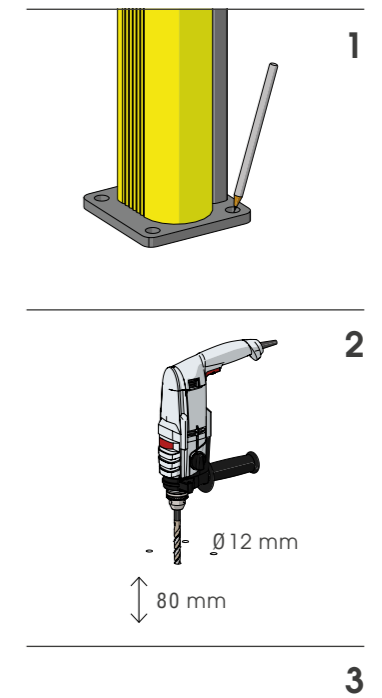
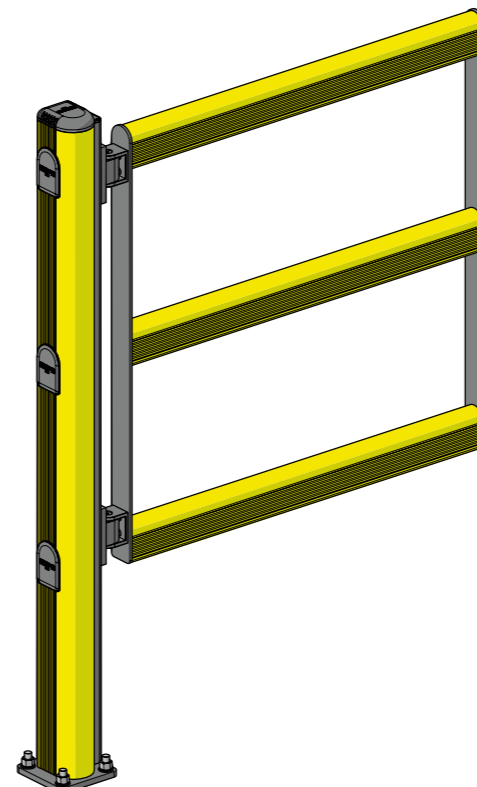
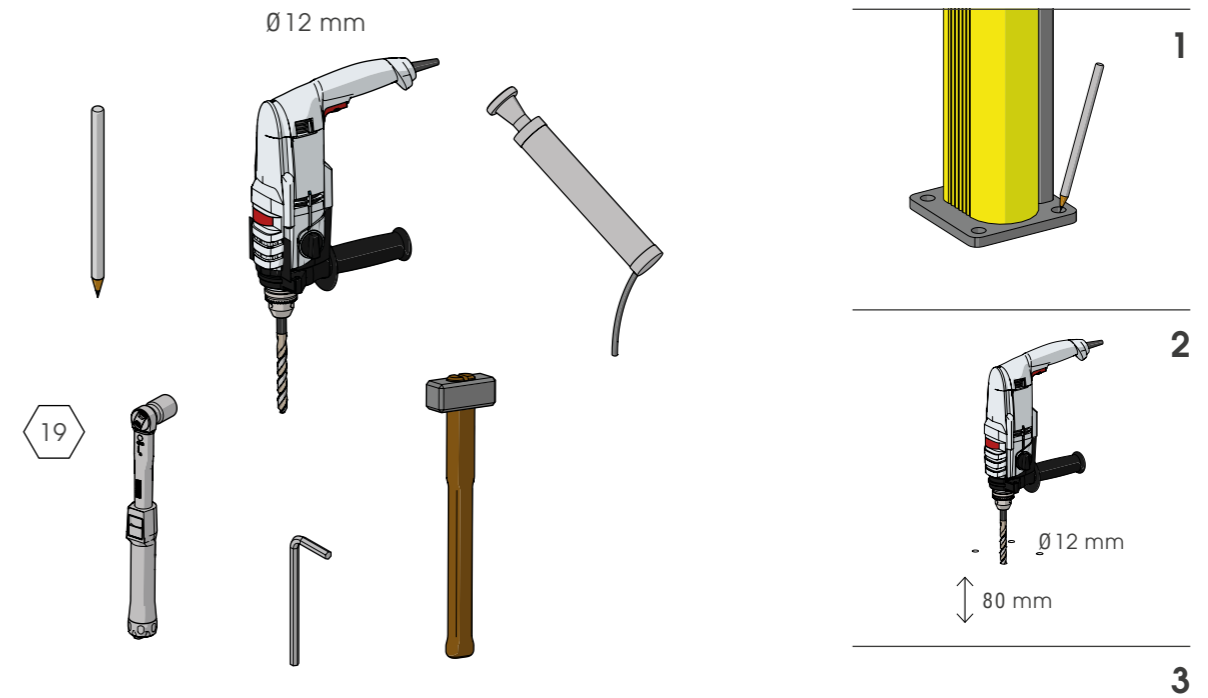


PLEASE CHECK HERE BELOW  
WHICH DIRECTION OF OPENING YOU NEED



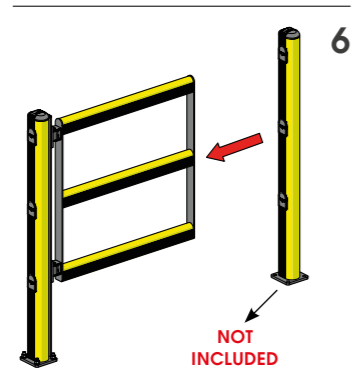
# DP 90 SWING

ISTRUZIONI DI INSTALLAZIONE  
ASSEMBLY INSTRUCTIONS

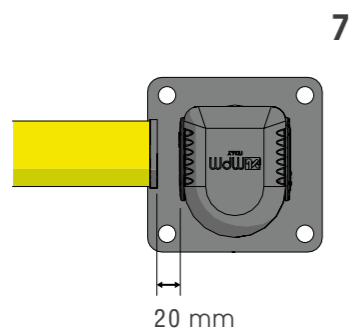


# DP 90 SWING

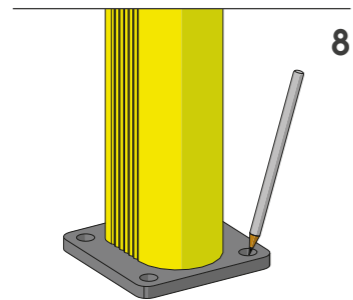
ISTRUZIONI DI INSTALLAZIONE  
ASSEMBLY INSTRUCTIONS



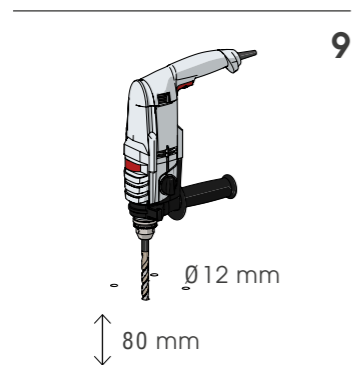
6



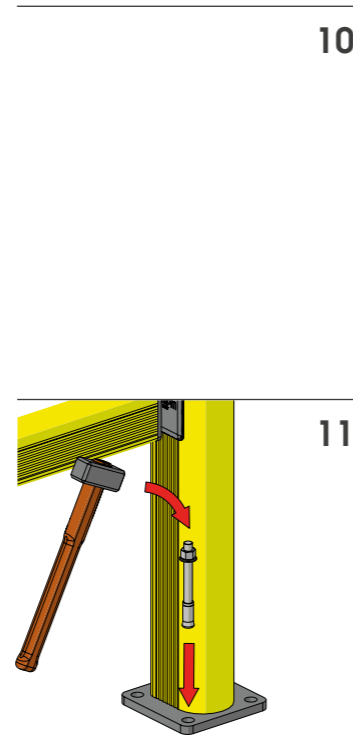
7



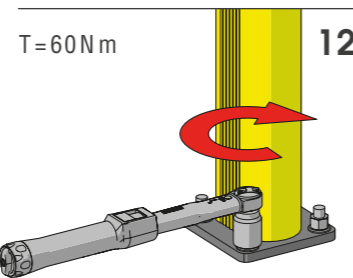
8



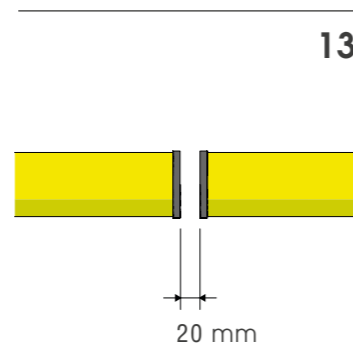
9



10



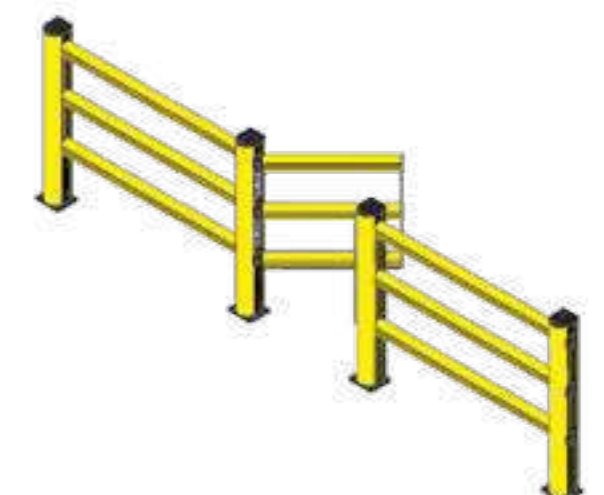
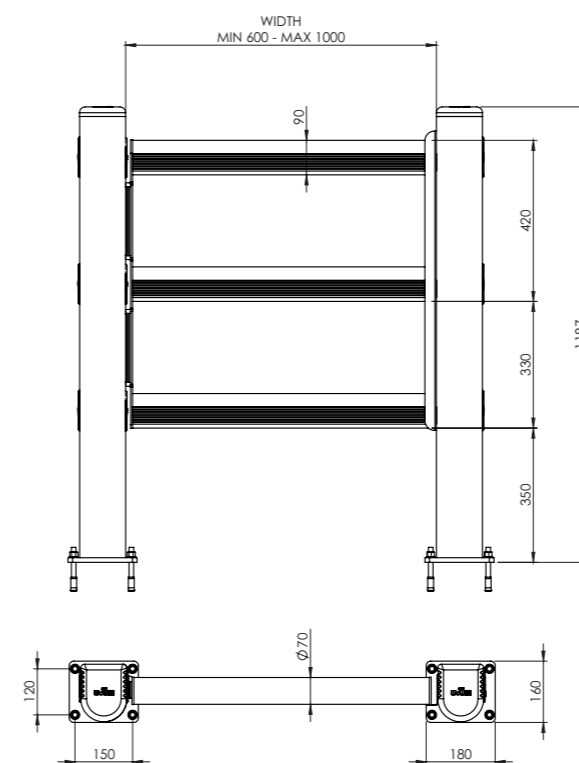
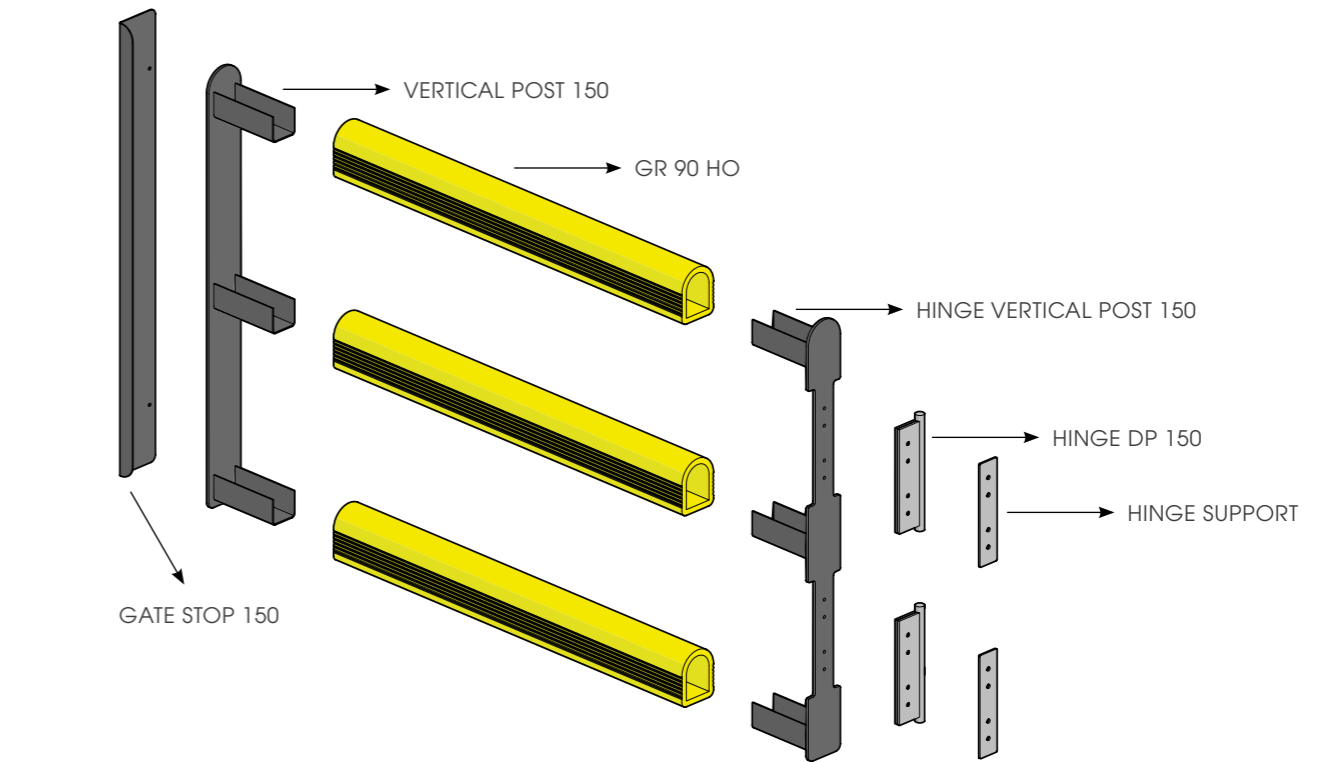
12



13

# DP 150 ONE WAY

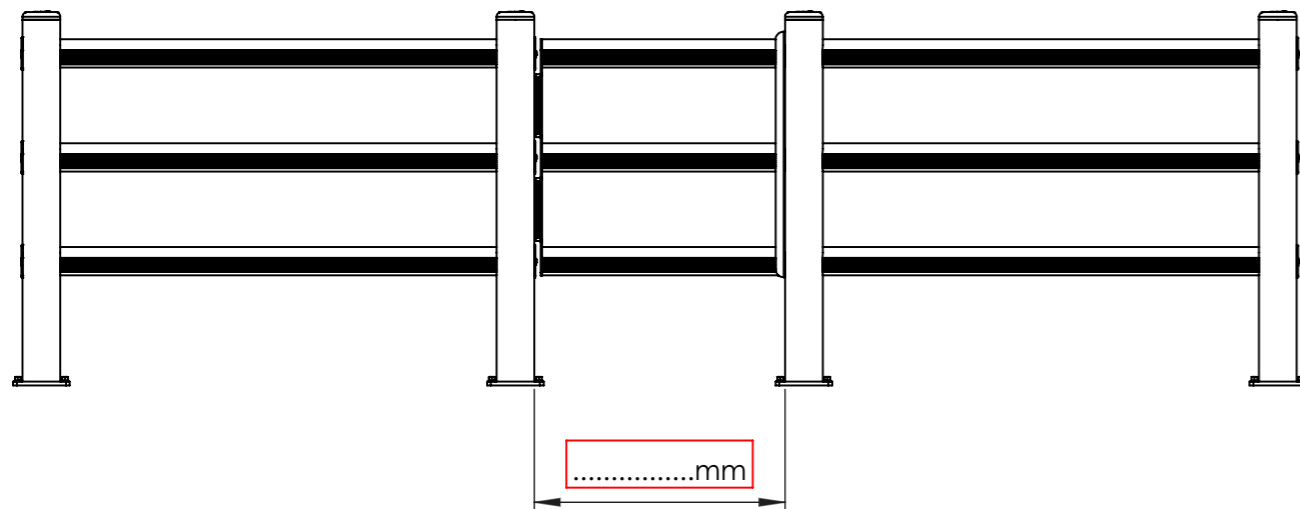
PORTA PEDESTRIAN 150  
DOOR PEDESTRIAN 150



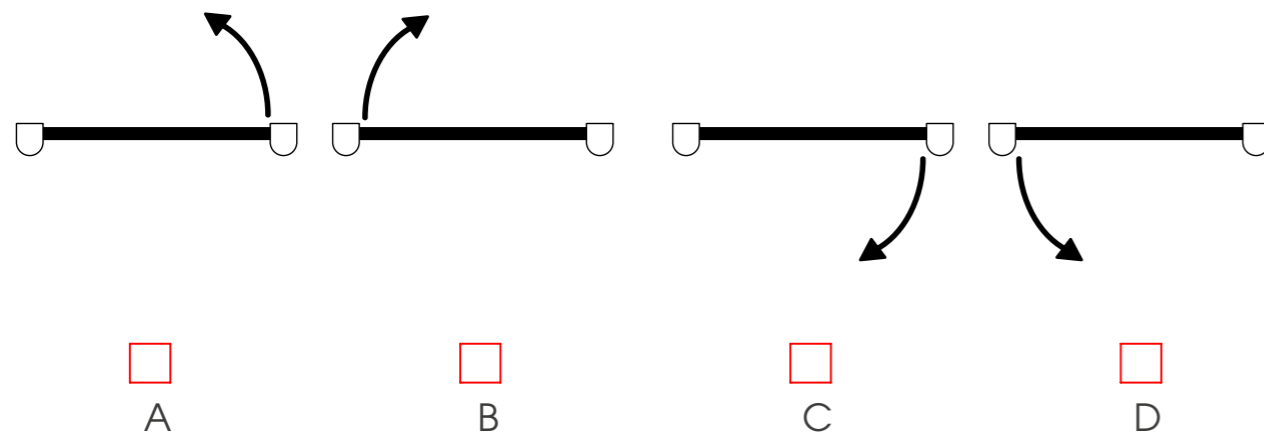
# DP 150 ONE WAY

PORTA PEDESTRIAN 150  
DOOR PEDESTRIAN 150

PLEASE CHECK HERE BELOW  
HOW THE SIZE OF THE DOOR IS TO BE MEASURED

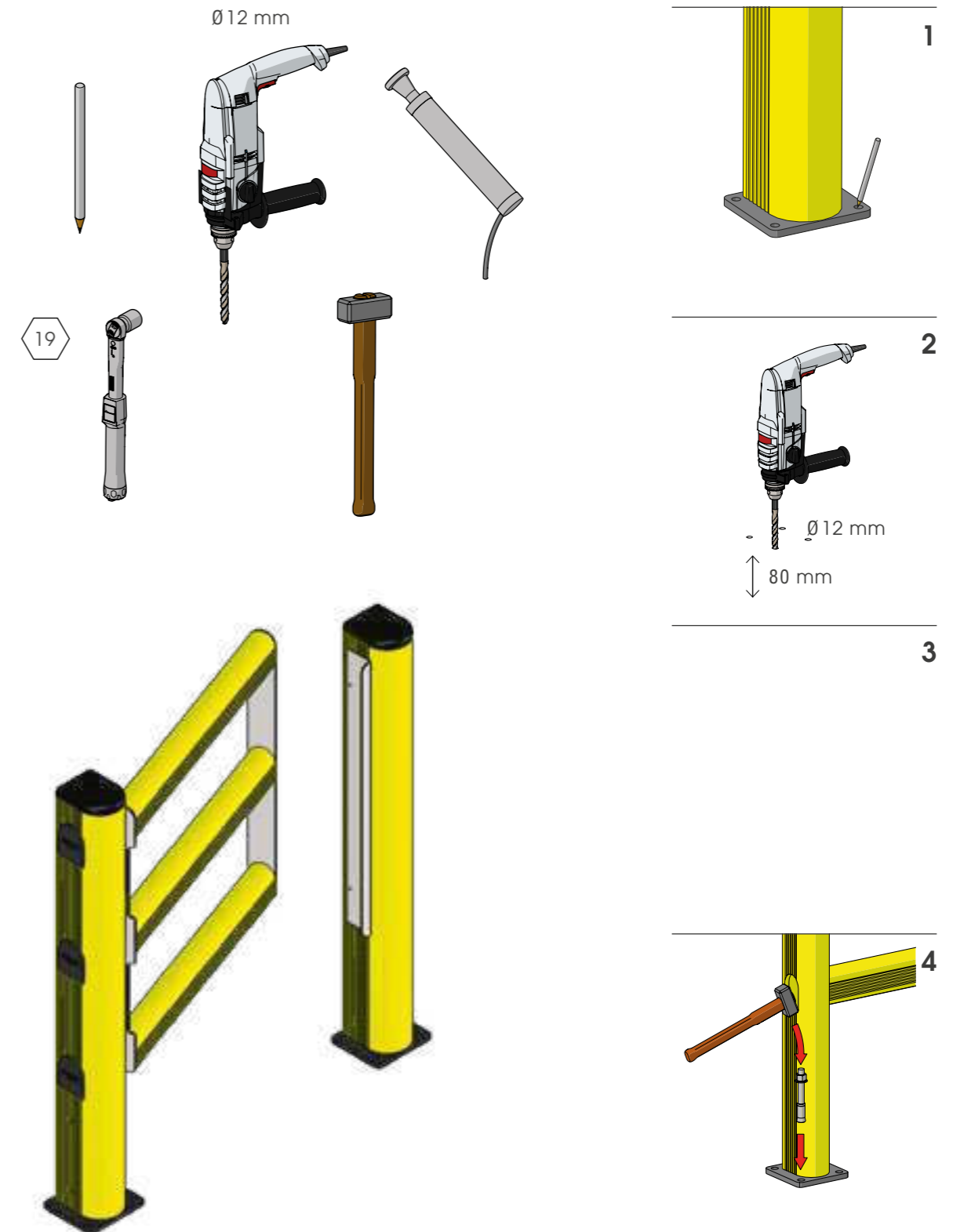


PLEASE CHECK HERE BELOW  
WHICH DIRECTION OF OPENING YOU NEED



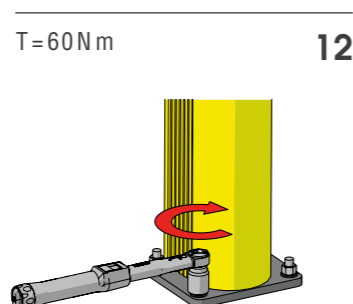
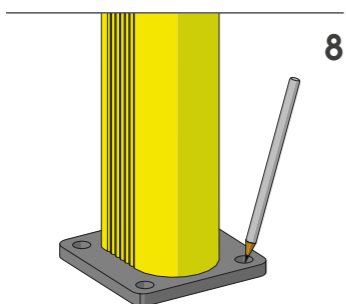
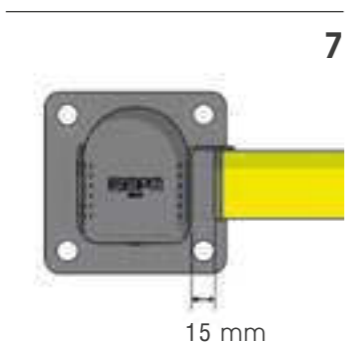
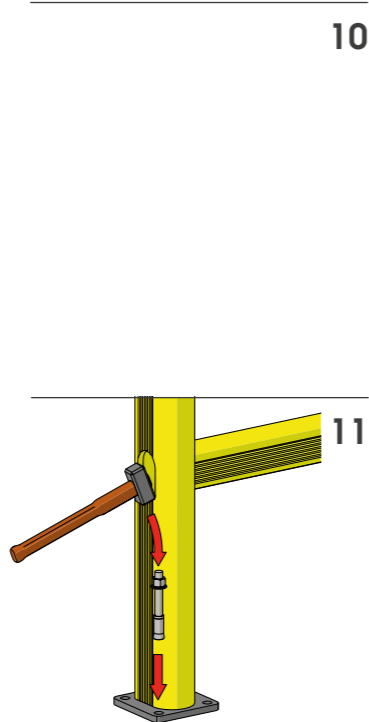
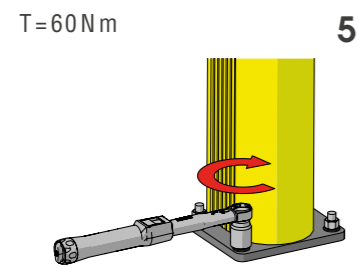
# DP 150 ONE WAY

ISTRUZIONI DI INSTALLAZIONE  
ASSEMBLY INSTRUCTIONS



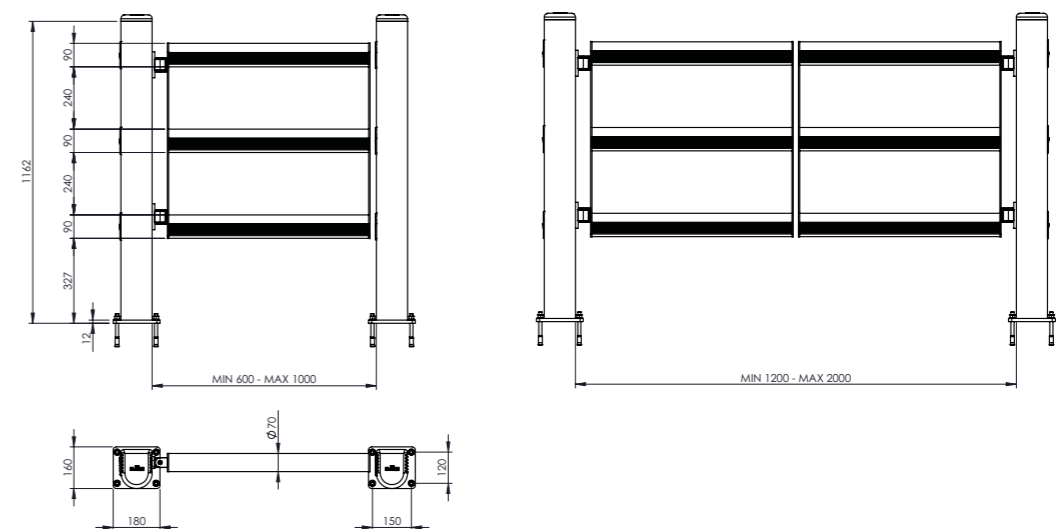
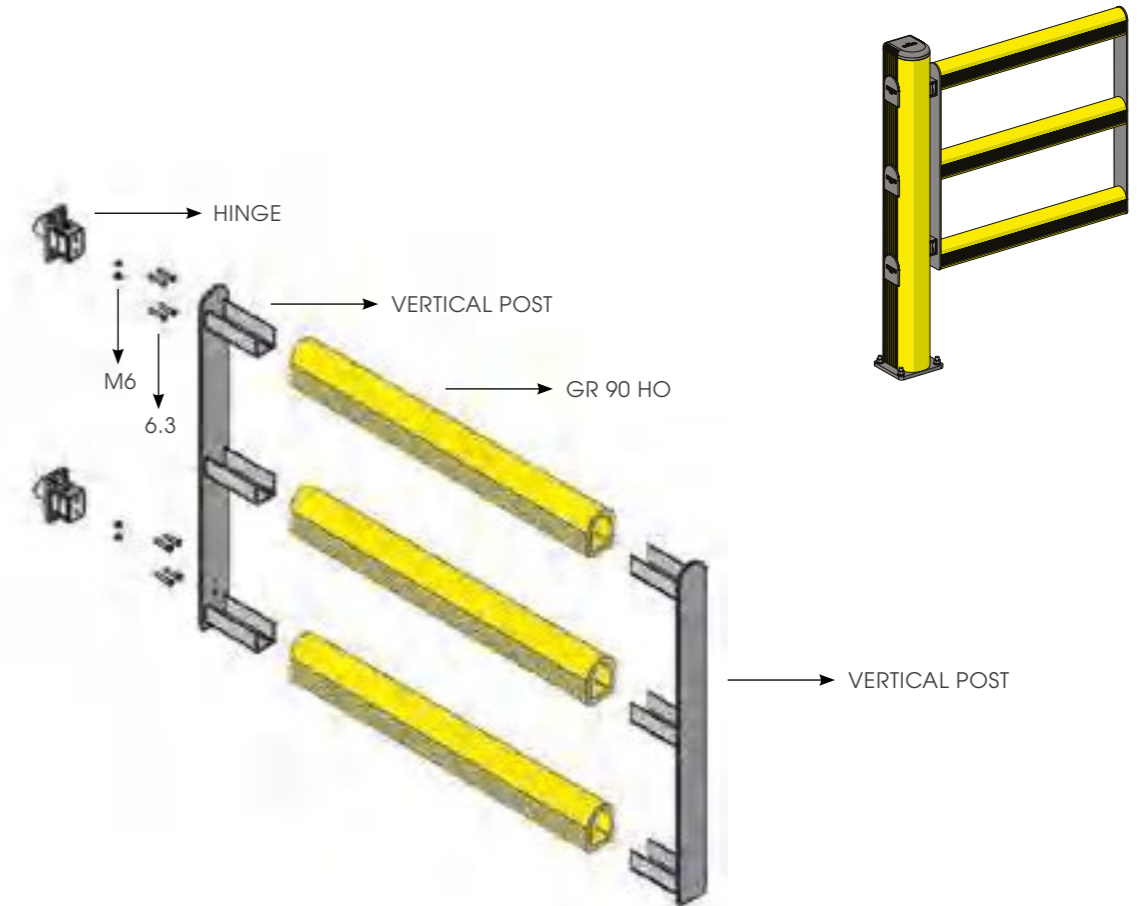
# DP 150 ONE WAY

ISTRUZIONI DI INSTALLAZIONE  
ASSEMBLY INSTRUCTIONS



# DP 150 SWING

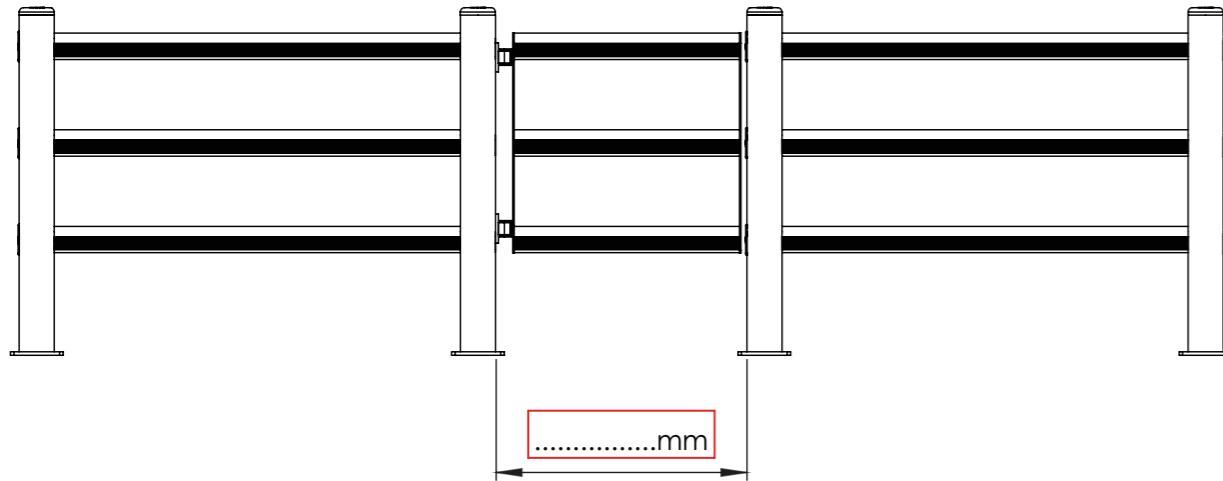
PORTA PEDESTRIAN 90  
DOOR PEDESTRIAN 90



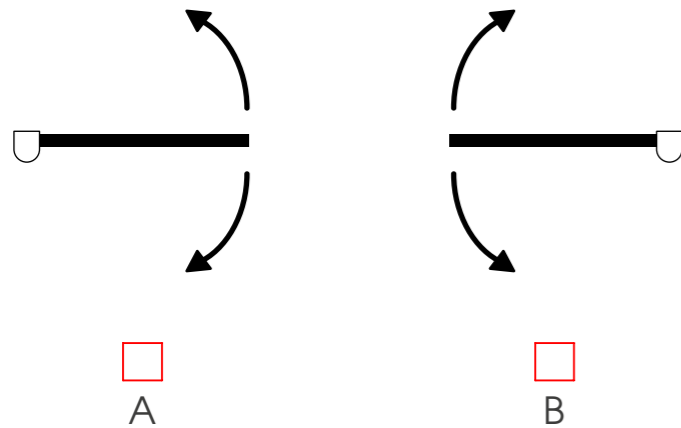
# DP 150 SWING

PORTA PEDESTRIAN 150  
DOOR PEDESTRIAN 150

PLEASE CHECK HERE BELOW  
HOW THE SIZE OF THE DOOR IS TO BE MEASURED

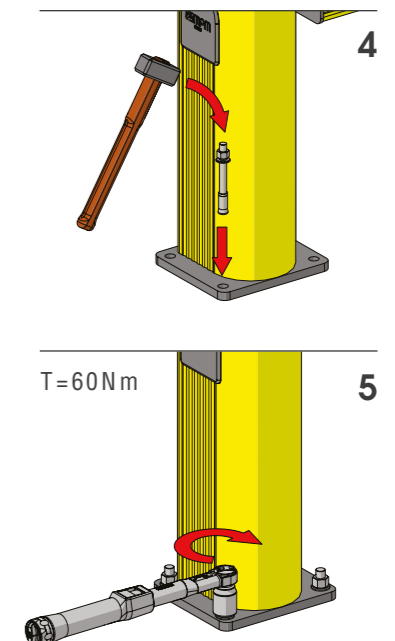
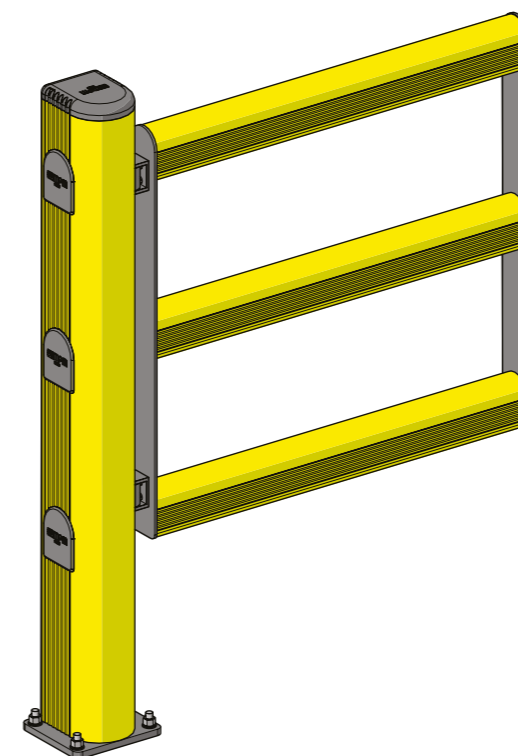
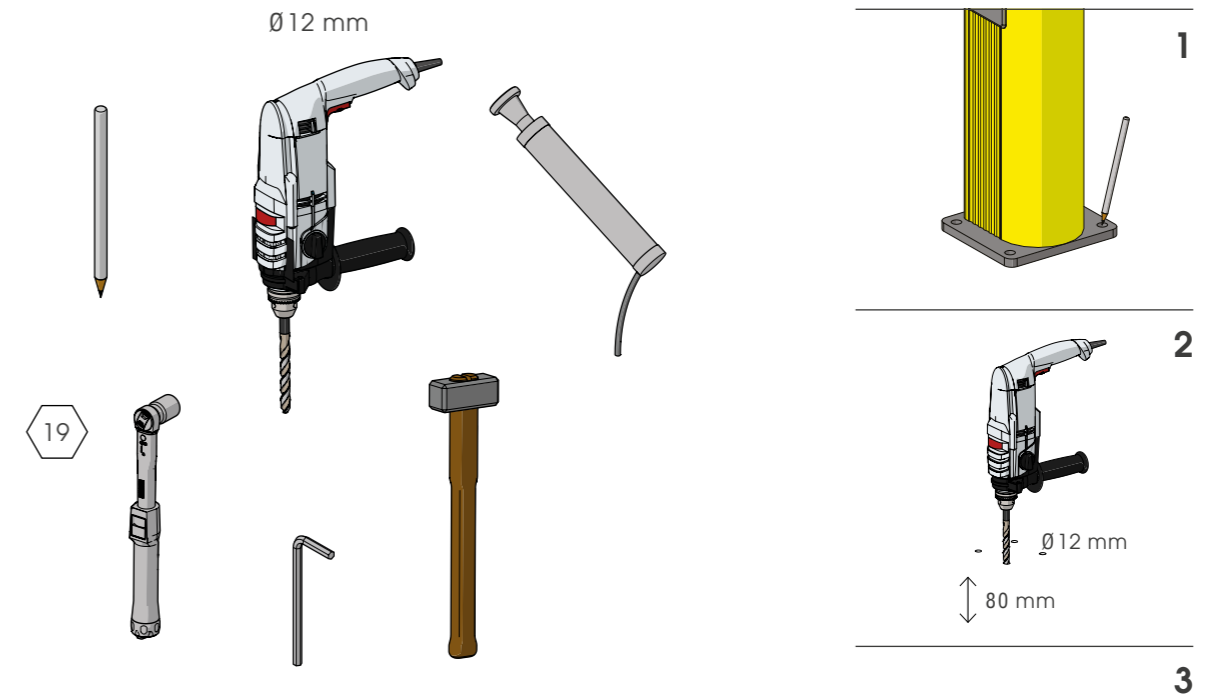


PLEASE CHECK HERE BELOW  
WHICH DIRECTION OF OPENING YOU NEED



# DP 150 SWING

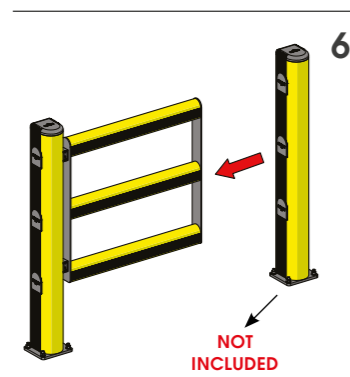
ISTRUZIONI DI INSTALLAZIONE  
ASSEMBLY INSTRUCTIONS



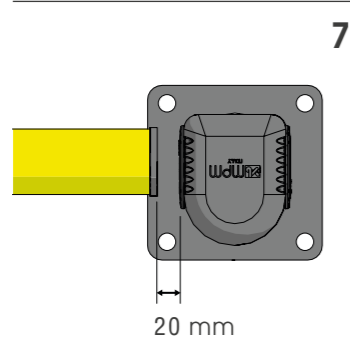


# DP 150 SWING

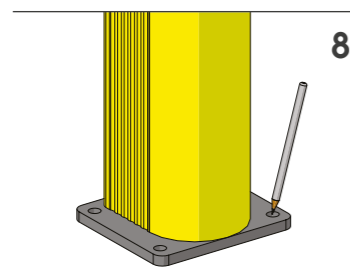
ISTRUZIONI DI INSTALLAZIONE  
ASSEMBLY INSTRUCTIONS



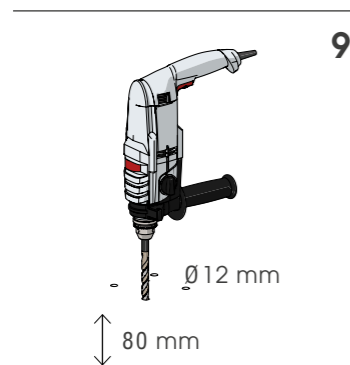
6



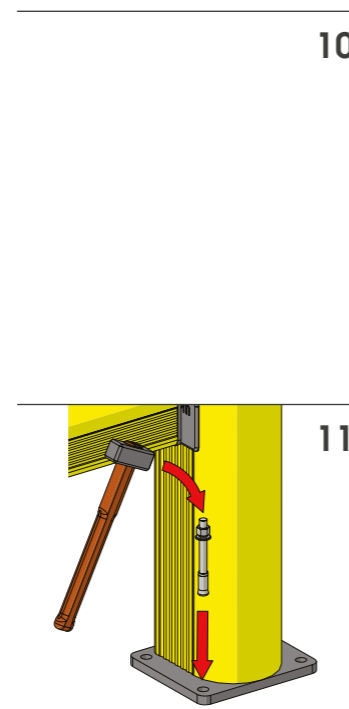
7



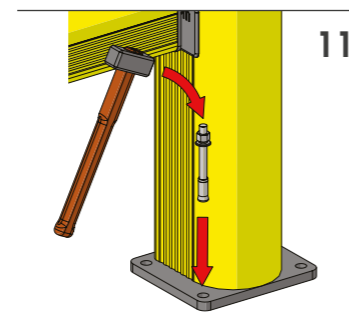
8



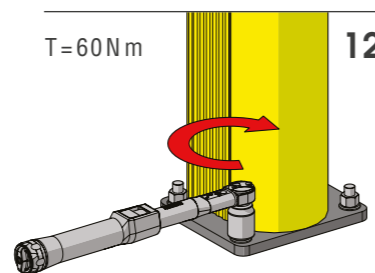
9



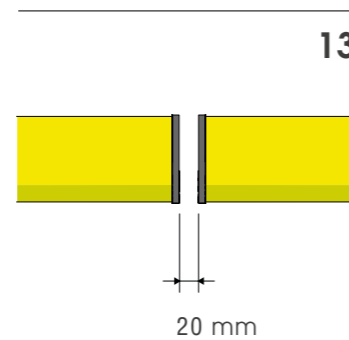
10



11



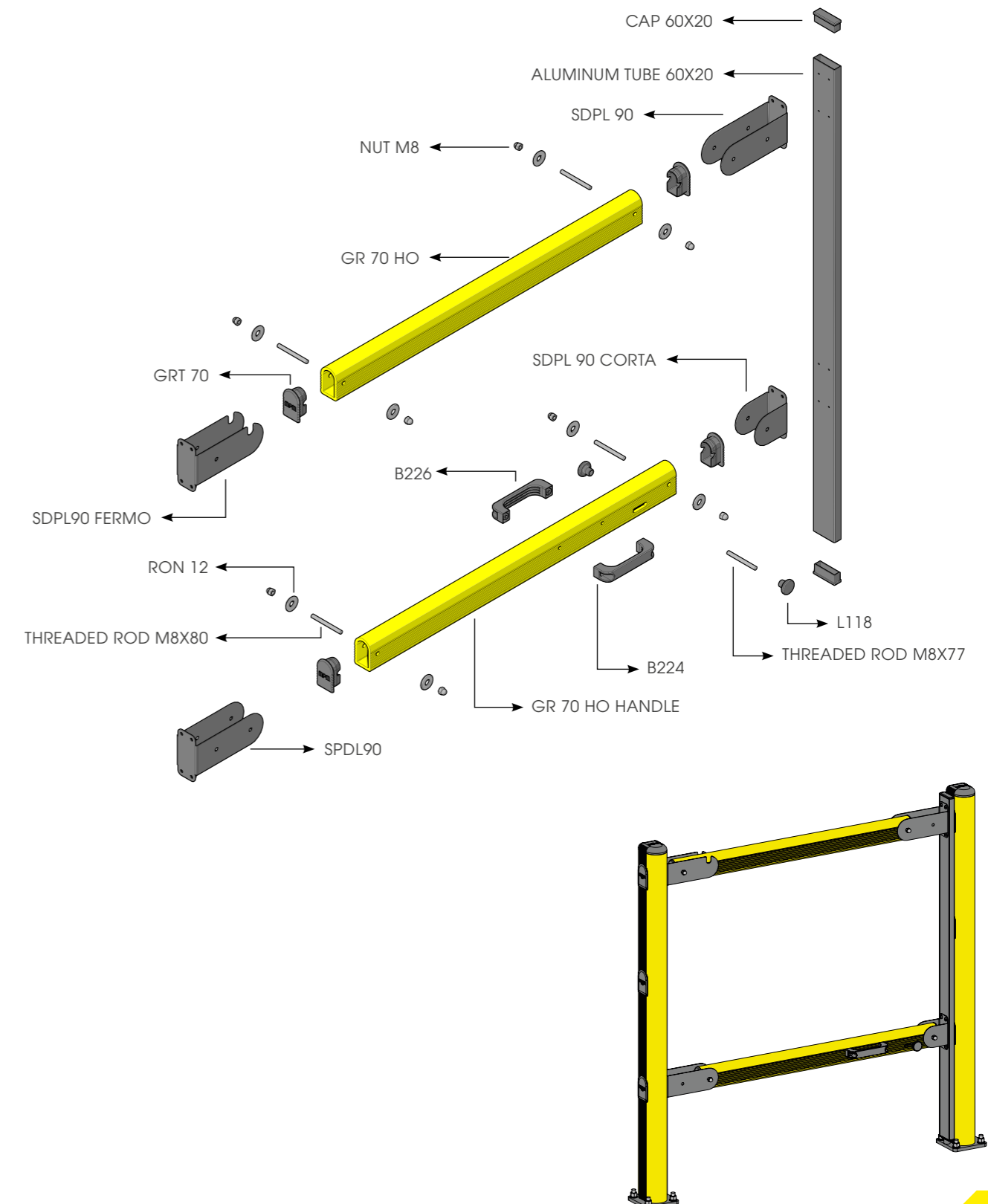
12



13

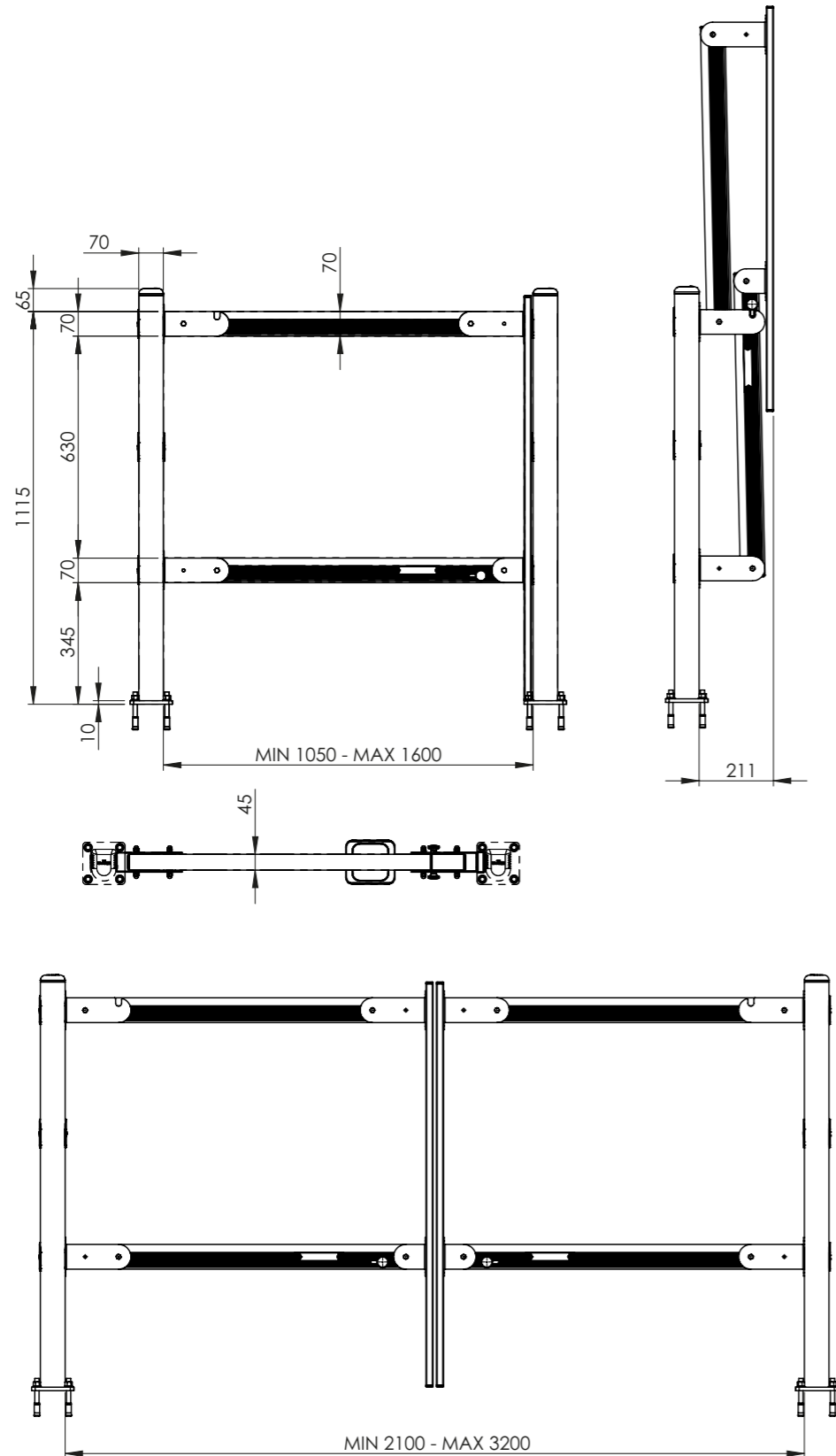
# LIFT GATE 90

CANCELLO PEDESTRIAN 90  
GATE FOR PEDESTRIAN 90



# LIFT GATE 90

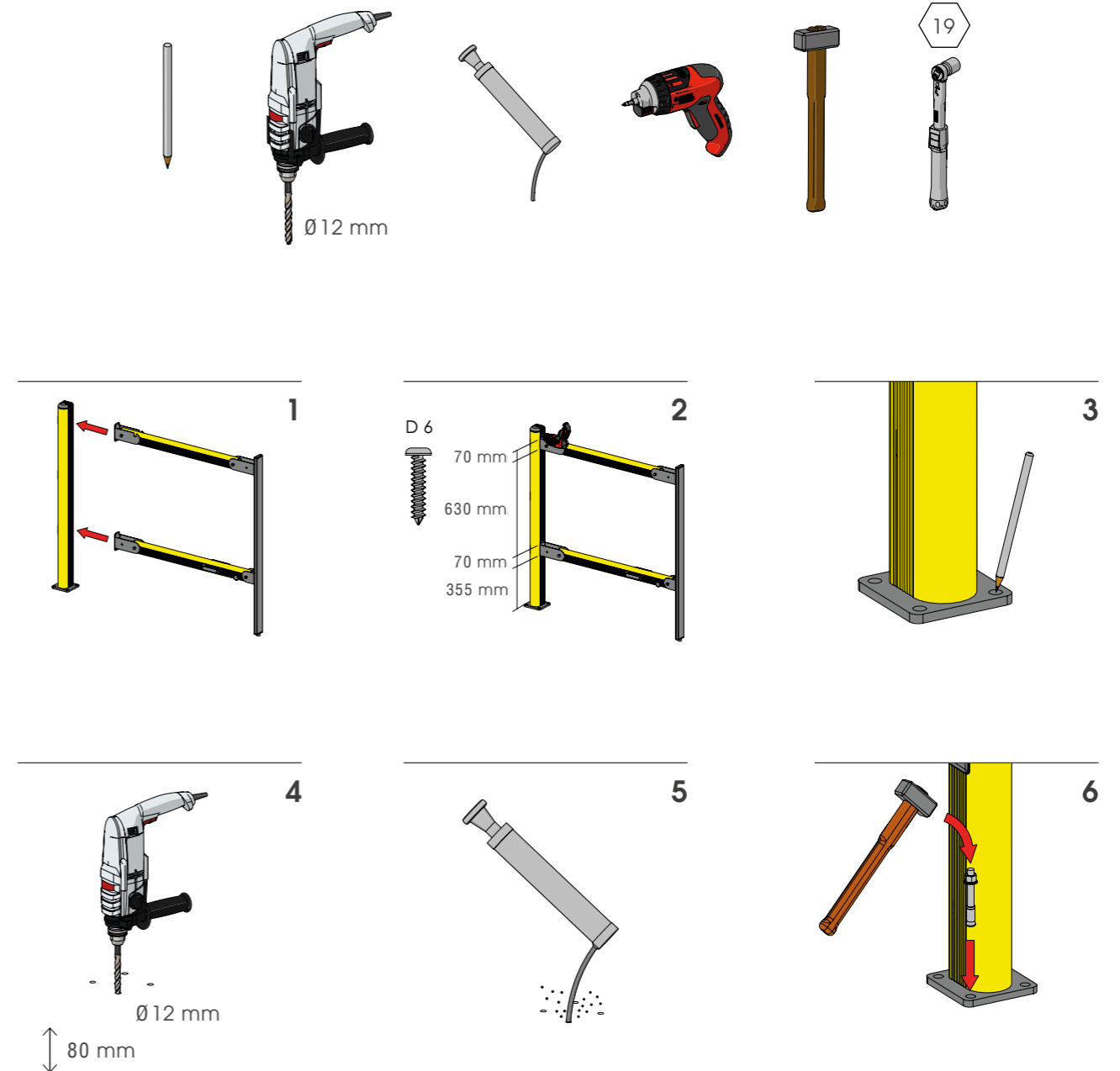
CANCELLO PEDESTRIAN 90  
GATE FOR PEDESTRIAN 90



# LIFT GATE 90

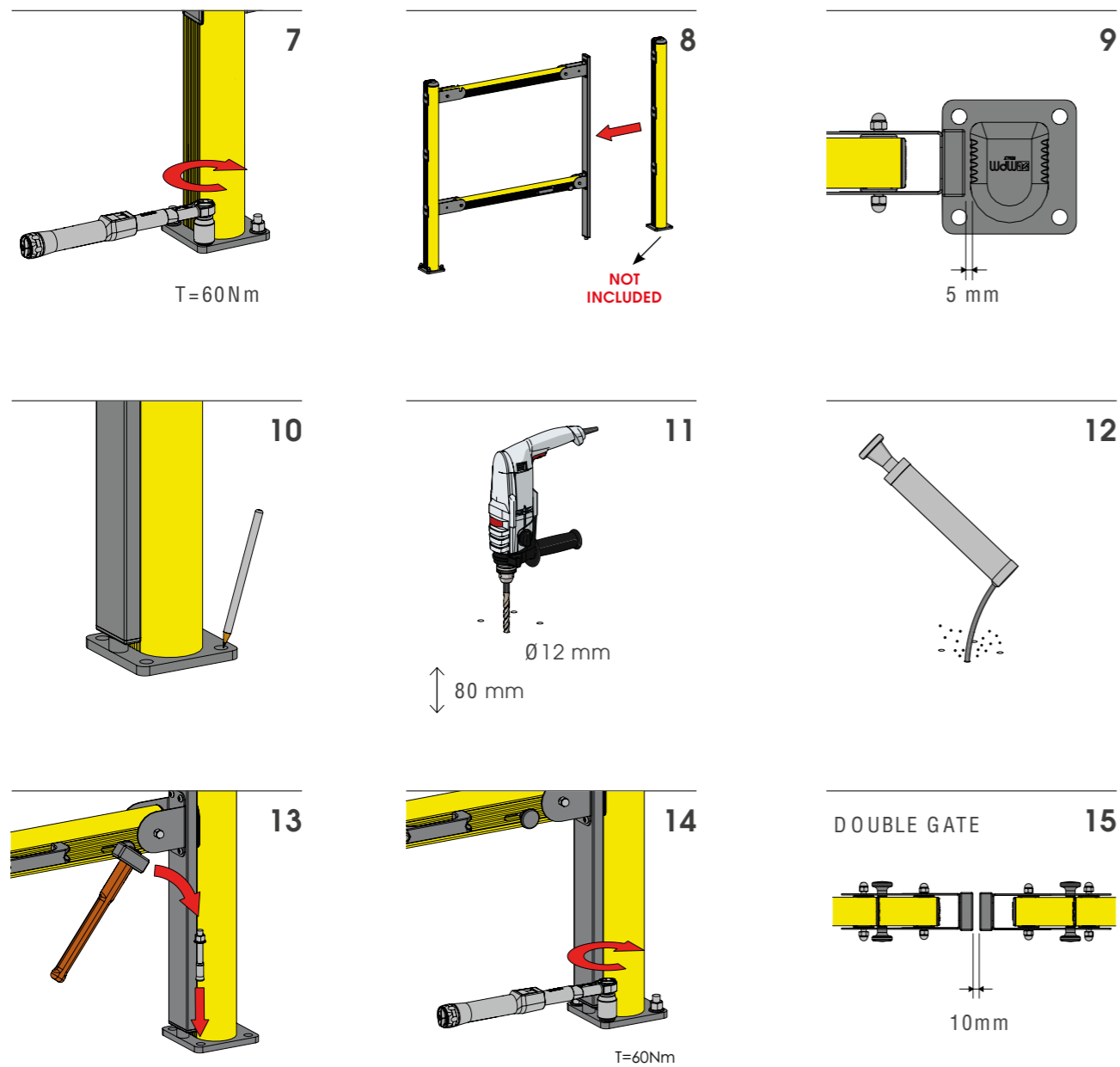
ISTRUZIONI DI INSTALLAZIONE  
ASSEMBLY INSTRUCTIONS

WARNING  
The distance of installation depends  
on speed and weight of vehicle



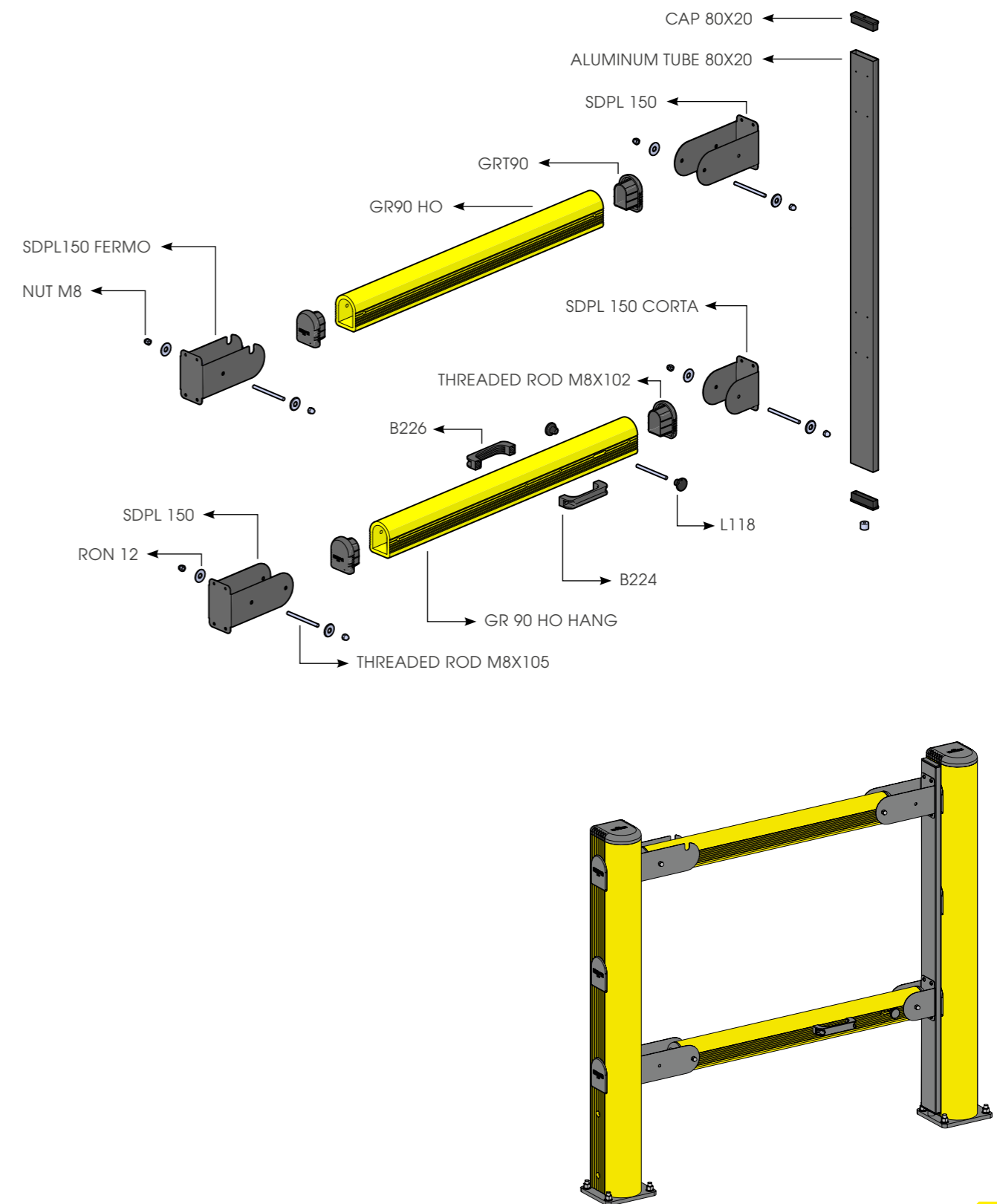
# LIFT GATE 90

ISTRUZIONI DI INSTALLAZIONE  
ASSEMBLY INSTRUCTIONS



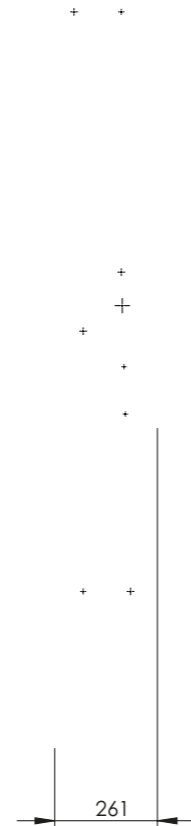
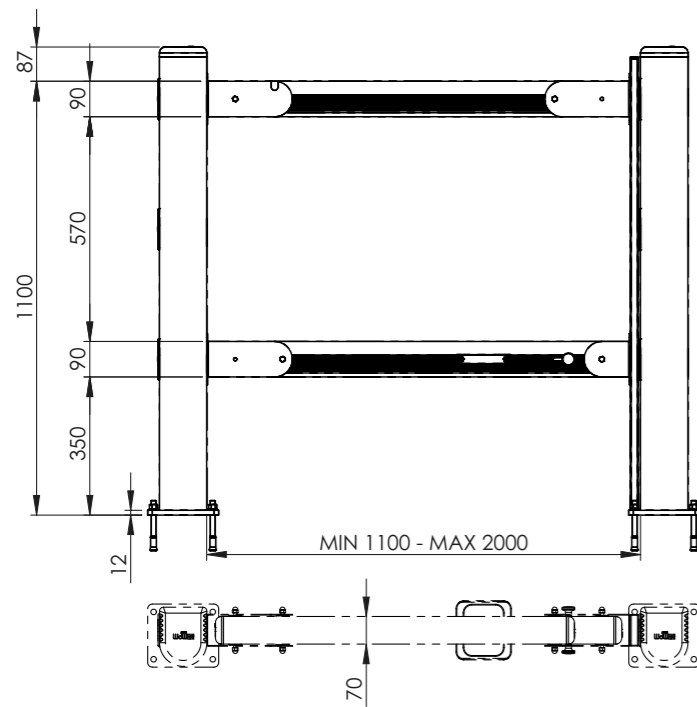
# LIFT GATE 150

CANCELLO PEDESTRIAN 150  
GATE FOR PEDESTRIAN 150



# LIFT GATE 150

CANCELLO PEDESTRIAN 150  
GATE FOR PEDESTRIAN 150



+ +

+ + + +

